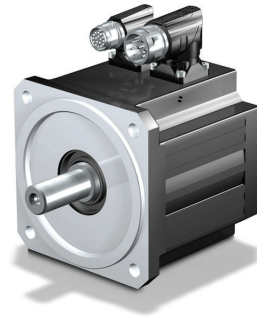
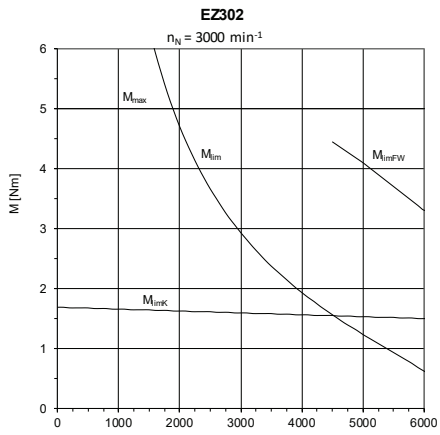


EZ302 Servo Motor

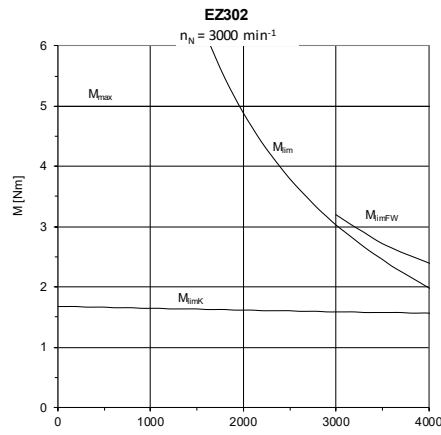
Technical Data Sheet



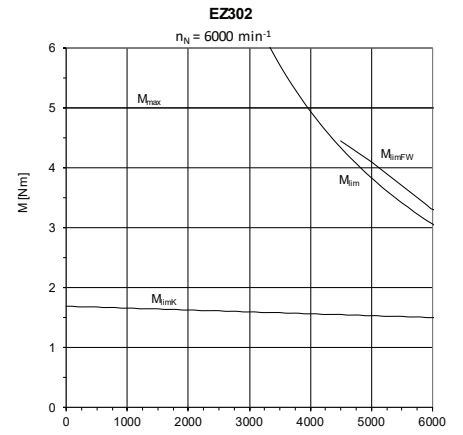
	3000 RPM		6000 RPM		Units
	Convection	Fan	Convection	Fan	
Model	EZ302U_086	–	EZ302U_42	–	
Max Bus Voltage	650	–	650	–	VDC
Number of Poles	10	–	10	–	
Back EMF	86	–	42	–	V/rpm
Nominal Torque	1.59	–	1.5	–	Nm
Nominal Current	1.6	–	3.18	–	A
Torque Factor	0.99	–	0.47	–	Nm/A
Rated Power	0.5	–	0.94	–	kW
Standstill Torque	1.68	–	1.68	–	Nm
Standstill Current	1.67	–	3.48	–	A
Torque Constant	1.03	–	0.49	–	Nm
Friction Torque	0.04	–	0.04	–	Nm
Max Torque	5	–	5	–	Nm
Max Current	8.55	–	17.8	–	A
Resistance	17.8	–	4.5	–	ohms
Inductance	75	–	18.7	–	mH
Electrical Time Constant	4.21	–	4.16	–	ms
Inertia	0.29	–	0.29	–	kgcm ²
Weight	2.1	–	2.1	–	kg



310 VDC



620 VDC



620 VDC

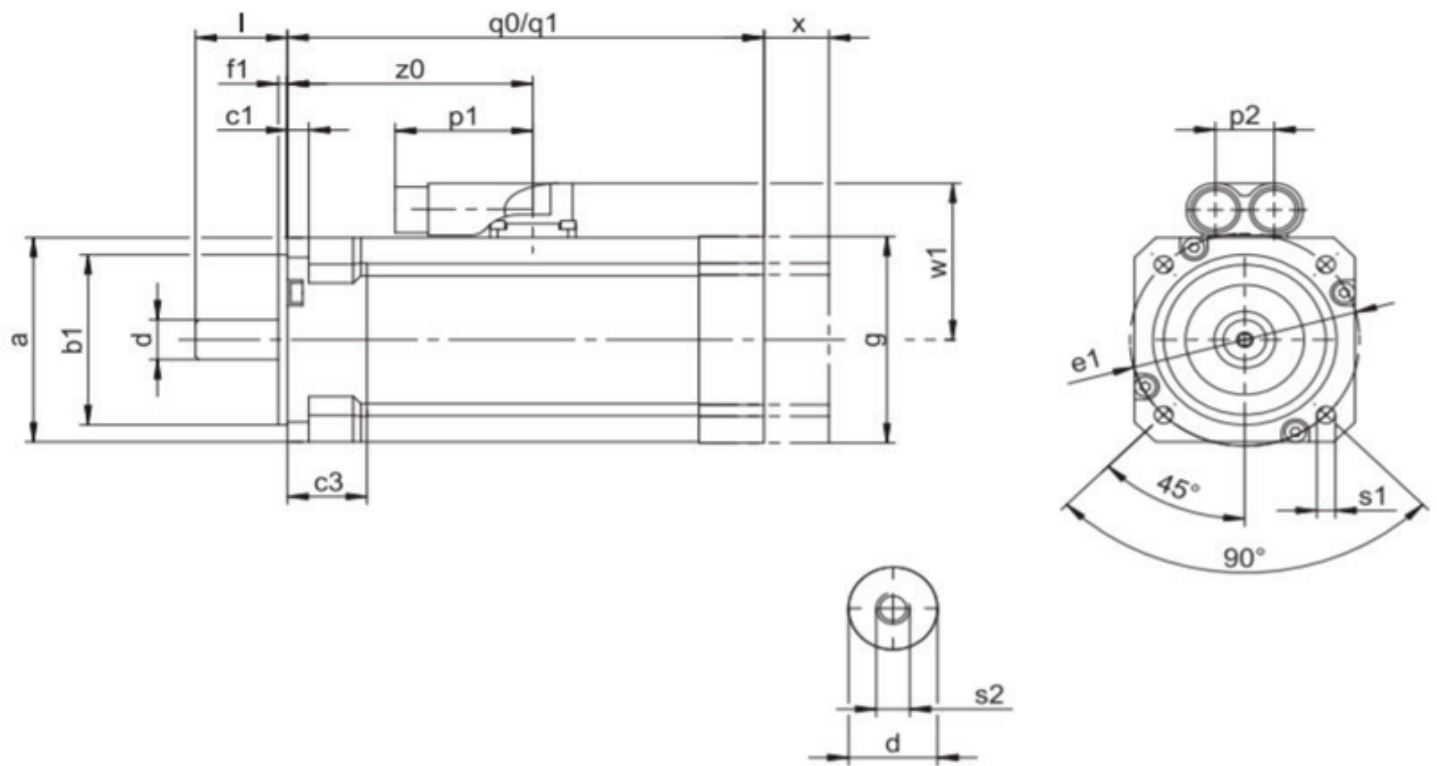


Table 1 EZ302U Dimensions (mm)

	a	b1	c1	c3	d	e1	f1	g	l	p1	p2	q0 ¹⁾	q1 ²⁾	s1	s2	w1	x ³⁾	z0
EZ302U	72	60 _{j6}	7	26	14 _{k6}	75	3	72	30	45	19	138	178	6	M5	55.5	21	102.5

- 1) q0 applies to motors without holding brake.
- 2) q1 applies to motors with holding brake.
- 3) x applies to encoders based on an optical measuring principle.