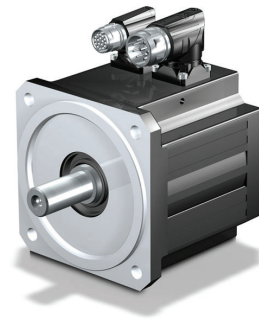


EZ404 Servo Motor

Technical Data Sheet



	3000 RPM		6000 RPM		Units
	Convection	Fan	Convection	Fan	
Model	EZ404U_116	EZ404B_116	EZ404U_078	EZ404B_078	
Max Bus Voltage	650	650	650	650	VDC
Number of Poles	14	14	14	14	
Back EMF	116	116	78	78	V/rpm
Nominal Torque	6.9	10.2	5.8	8	Nm
Nominal Current	5.8	8.2	7.18	9.98	A
Torque Factor	1.19	1.24	0.81	0.8	Nm/A
Rated Power	2.2	3.2	3.6	5	kW
Standstill Torque	8.6	11.2	8.4	10.5	Nm
Standstill Current	6.6	8.7	9.78	12	A
Torque Constant	1.31	1.29	0.86	0.88	Nm
Friction Torque	0.04	0.04	0.04	0.04	Nm
Max Torque	29	29	29	29	Nm
Max Current	35	35	51	51	A
Resistance	1.85	1.85	0.89	0.89	ohms
Inductance	15	15	7.07	7.07	mH
Electrical Time Constant	8.11	8.11	7.94	7.94	ms
Inertia	2.98	2.98	2.98	2.98	kgcm ²
Weight	7.2	8.6	7.2	8.6	kg

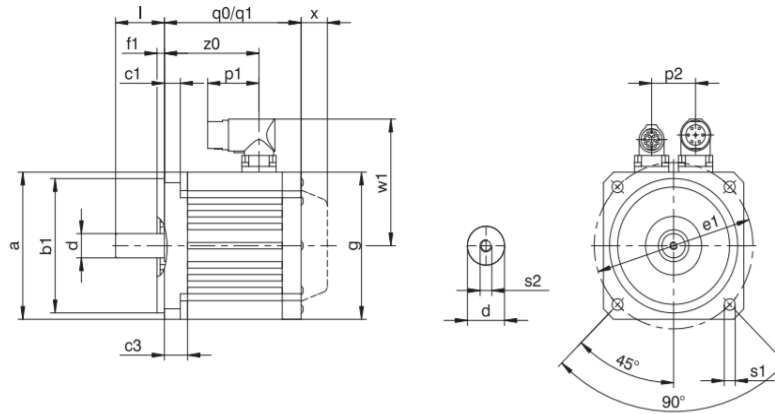
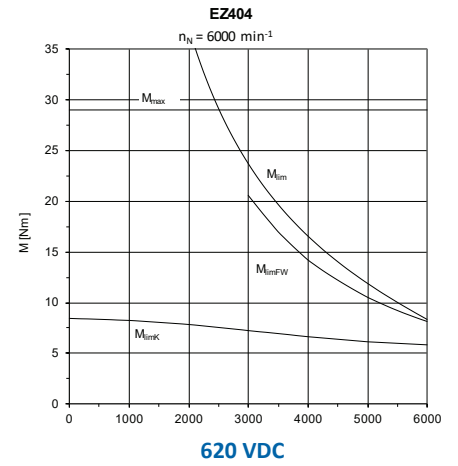
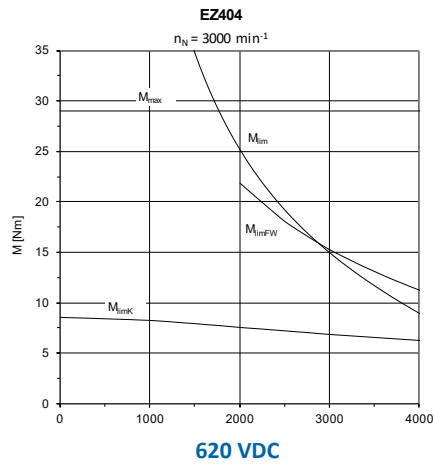
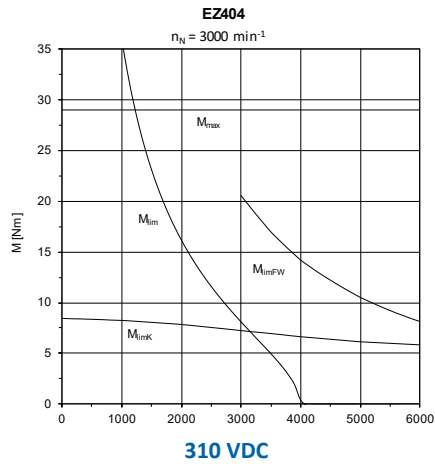


Table 1 EZ404 With Convection Cooling Dimensions (mm)

	a	b1	c1	c3	d	e1	f1	g	l	p1	p2	q0 ¹⁾	q1 ²⁾	s1	s2	w1	x ³⁾	z0
EZ404U	98	95 _{j6}	9.5	20.5	19 _{k6}	115	3.5	98	40	40	32	193.5	242	9	M6	91	22	151.5

- 1) q0 applies to motors without holding brake.
- 2) q1 applies to motors with holding brake.
- 3) x applies to encoders based on an optical measuring principle.

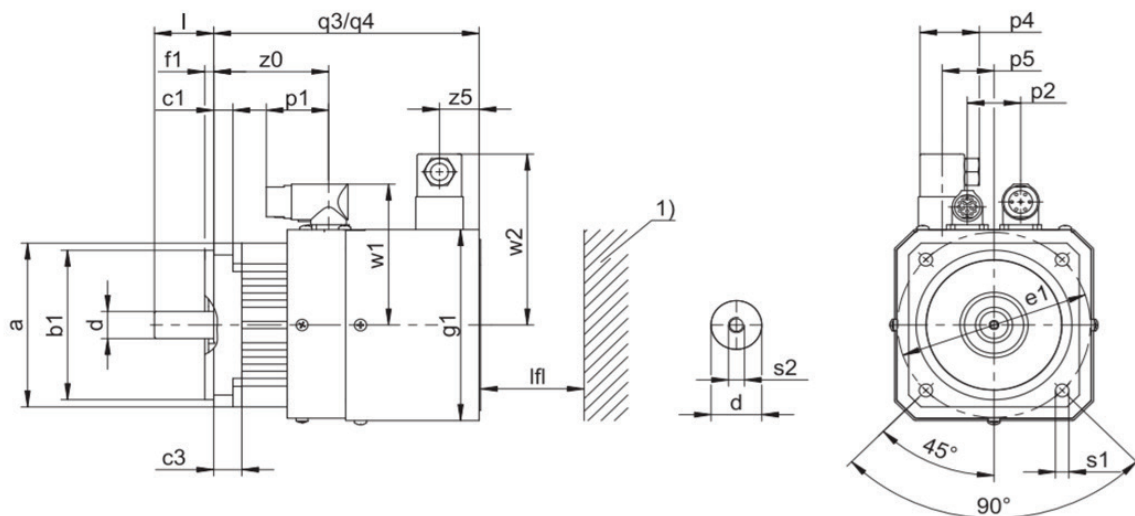


Table 2 EZ404 With Forced Ventilation Dimensions (mm)

	a	b1	c1	c3	d	e1	f1	g1	l	lfl _{min}	p1	p2	p4	p5	q3 ¹⁾	q4 ²⁾	s1	s2	w1	w2	z0	z5
EZ404B	98	95 _{j6}	9.5	20.5	19 _{k6}	115	3.5	118	40	20	40	32	37.5	0	250	299	9	M6	91	111	151.5	25

- 1) q3 applies to motors without holding brake.
- 2) q4 applies to motors with holding brake.
- 3) 1) applies to machine wall