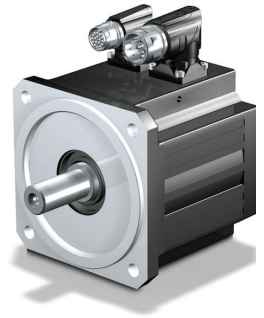
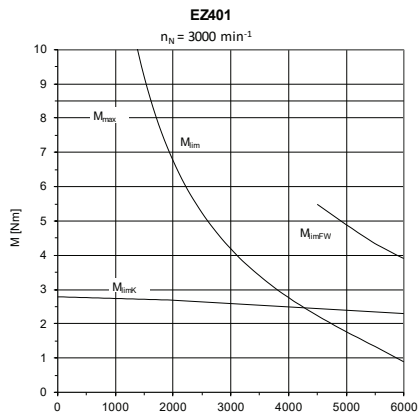


EZ401 Servo Motor

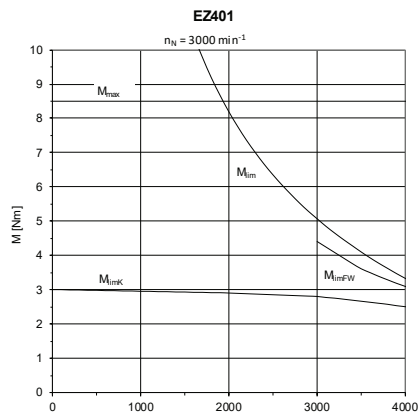
Technical Data Sheet



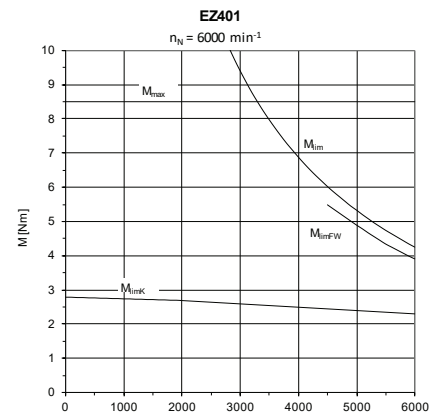
	3000 RPM		6000 RPM		Units
	Convection	Fan	Convection	Fan	
Model	EZ401U_096	EZ401B_096	EZ401U_047	EZ401B_047	
Max Bus Voltage	650	650	650	650	VDC
Number of Poles	14	14	14	14	
Back EMF	96	96	47	47	V/rpm
Nominal Torque	2.8	3.4	2.3	2.9	Nm
Nominal Current	2.74	3.4	4.56	5.62	A
Torque Factor	1.02	1	0.5	0.52	Nm/A
Rated Power	0.88	1.1	1.4	1.8	kW
Standstill Torque	3	3.7	2.8	3.5	Nm
Standstill Current	2.88	3.6	5.36	6.83	A
Torque Constant	1.06	1.04	0.53	0.52	Nm
Friction Torque	0.04	0.04	0.04	0.04	Nm
Max Torque	8.5	8.5	8.5	8.5	Nm
Max Current	16.5	16.5	33	33	A
Resistance	6.7	6.7	1.94	1.94	ohms
Inductance	37.7	37.7	11.52	11.52	mH
Electrical Time Constant	5.63	5.63	5.94	5.94	ms
Inertia	0.93	0.93	0.93	0.93	kgcm ²
Weight	4	5.4	4	5.4	kg



310 VDC



620 VDC



620 VDC

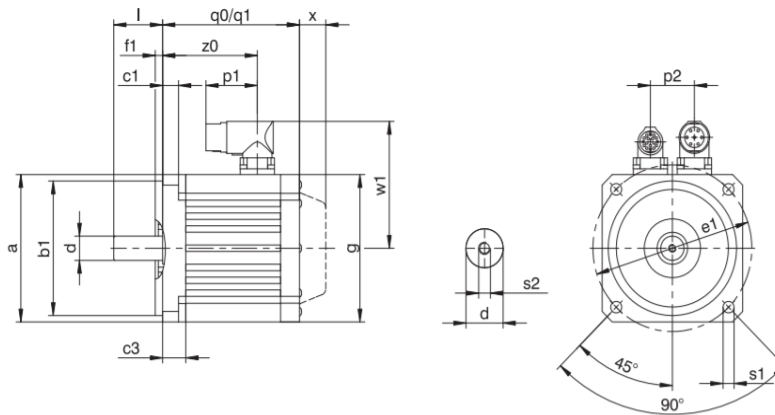


Table 1 EZ401 With Convection Cooling Dimensions (mm)

	a	b1	c1	c3	d	e1	f1	g	l	p1	p2	q0 ¹⁾	q1 ²⁾	s1	s2	w1	x ³⁾	z0
EZ401U	98	95 _{j6}	9.5	20.5	14 _{k6}	115	3.5	98	30	40	32	118.5	167	9	M5	91	22	76.5

- 1) q0 applies to motors without holding brake.
- 2) q1 applies to motors with holding brake.
- 3) x applies to encoders based on an optical measuring principle.

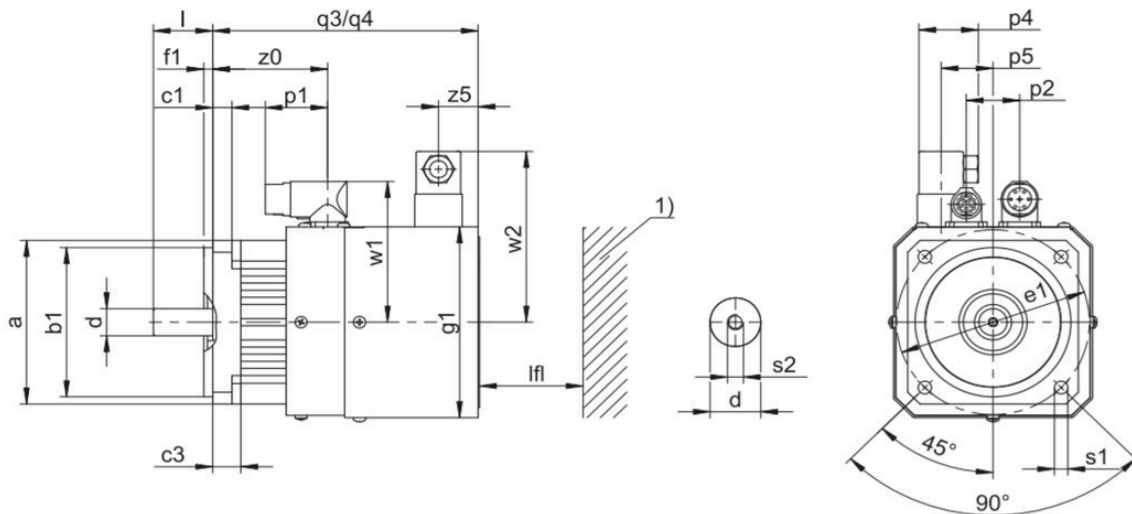


Table 2 EZ401 With Forced Ventilation Dimensions (mm)

	a	b1	c1	c3	d	e1	f1	g1	l	lfl _{min}	p1	p2	p4	p5	q3	q4	s1	s2	w1	w2	z0	z5
EZ401B	98	95 _{j6}	9.5	20.5	14 _{k6}	115	3.5	118	30	20	40	32	37.5	0	175	224	9	M5	91	111	76.5	25

- 1) q3 applies to motors without holding brake.
- 2) q4 applies to motors with holding brake.
- 3) 1) applies to machine wall