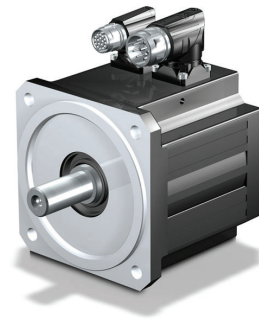
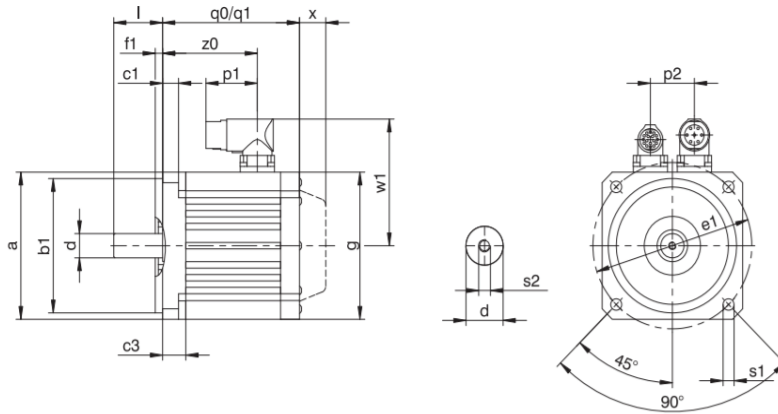
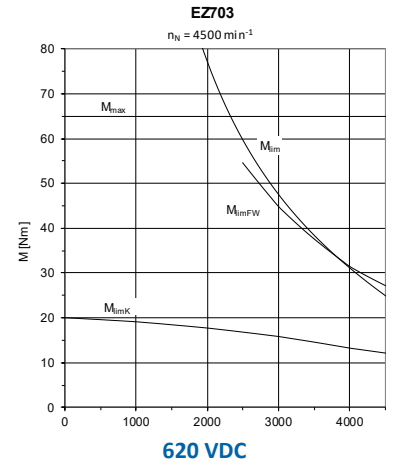
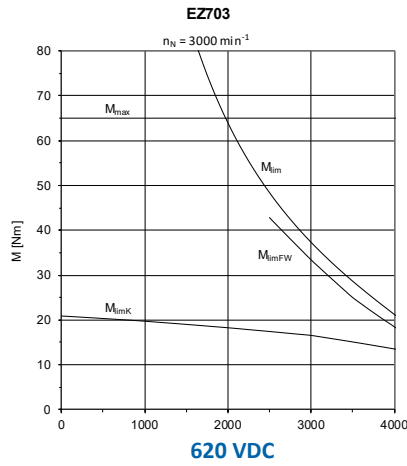
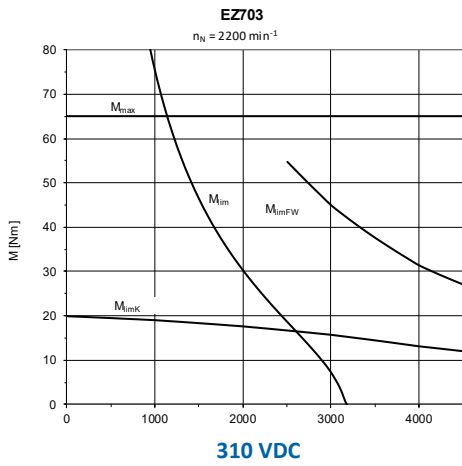


# EZ703 Servo Motor

## Technical Data Sheet



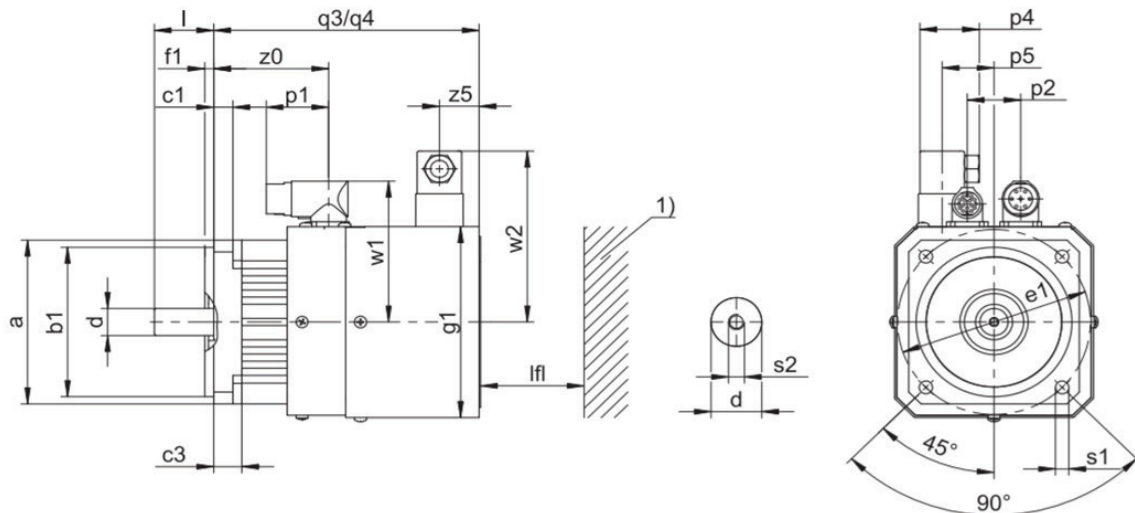
	3000 RPM		4500 RPM		Units
	Convection	Fan	Convection	Fan	
<b>Model</b>	<b>EZ703U_122</b>	<b>EZ703B_122</b>	<b>EZ703U_099</b>	<b>EZ703B_099</b>	
<b>Max Bus Voltage</b>	650	650	650	650	VDC
<b>Number of Poles</b>	14	14	14	14	
<b>Back EMF</b>	122	122	99	99	V/rpm
<b>Nominal Torque</b>	16.5	24	12.1	19.8	Nm
<b>Nominal Current</b>	11.4	18.2	11.5	20.3	A
<b>Torque Factor</b>	1.45	1.32	1.05	0.98	Nm/A
<b>Rated Power</b>	5.2	7.5	5.7	9.3	kW
<b>Standstill Torque</b>	20.8	28	20	27.2	Nm
<b>Standstill Current</b>	14	20	17.8	24.2	A
<b>Torque Constant</b>	1.5	1.41	1.14	1.13	Nm
<b>Friction Torque</b>	0.24	0.24	0.24	0.24	Nm
<b>Max Torque</b>	65	65	65	65	Nm
<b>Max Current</b>	62	62	78	78	A
<b>Resistance</b>	0.52	0.52	0.36	0.36	ohms
<b>Inductance</b>	6.8	6.8	4.42	4.42	mH
<b>Electrical Time Constant</b>	13.08	13.08	12.28	12.28	ms
<b>Inertia</b>	21.6	21.6	21.6	21.6	kgcm <sup>2</sup>
<b>Weight</b>	12.8	17.8	12.8	17.8	kg



**Table 1 EZ703 With Convection Cooling Dimensions (mm)**

	a	b1	c1	c3	d	e1	f1	g	l	p1	p2	q0 <sup>1)</sup>	q1 <sup>2)</sup>	s1	s2	w1	x <sup>3)</sup>	z0
<b>EZ703U</b>	145	130 <sub>j6</sub>	10	19	24 <sub>k6</sub>	165	3.5	145	50	40	42	171	230	11	M8	115	22	133

- 1) q0 applies to motors without holding brake.
- 2) q1 applies to motors with holding brake.
- 3) x applies to encoders based on an optical measuring principle.



**Table 2 EZ703 With Forced Ventilation Dimensions (mm)**

	a	b1	c1	c3	d	e1	f1	g1	l	lfl <sub>min</sub>	p1	p2	p4	p5	q3 <sup>1)</sup>	q4 <sup>2)</sup>	s1	s2	w1	w2	z0	z5
<b>EZ703B</b>	145	130 <sub>j6</sub>	10	19	24 <sub>k6</sub>	165	3.5	165	50	30	40	42	37.5	0	263	322	11	M8	115	134	133	40

- 1) q3 applies to motors without holding brake.
- 2) q4 applies to motors with holding brake.
- 3) 1) applies to machine wall