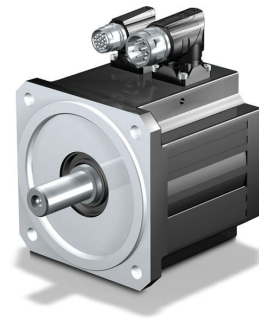
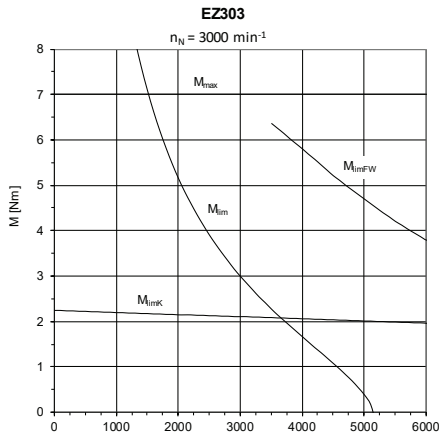


EZ303 Servo Motor

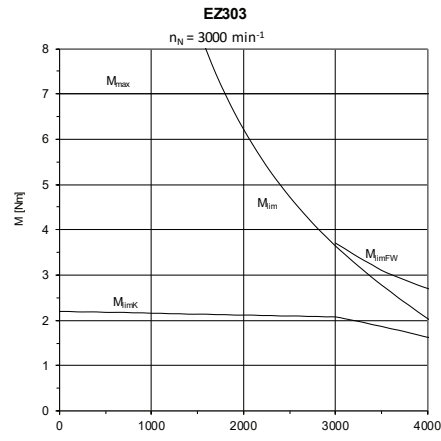
Technical Data Sheet



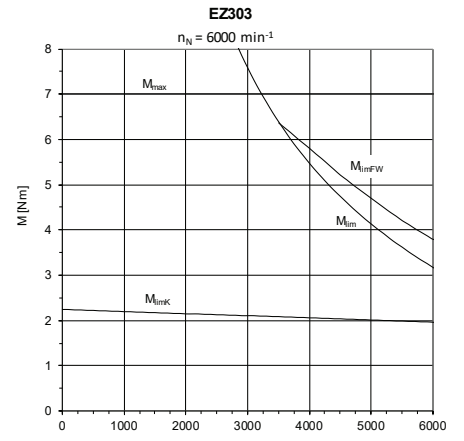
	3000 RPM		6000 RPM		Units
	Convection	Fan	Convection	Fan	
Model	EZ303U_109	–	EZ303U_055	–	
Max Bus Voltage	650	–	650	–	VDC
Number of Poles	10	–	10	–	
Back EMF	109	–	55	–	V/rpm
Nominal Torque	2.07	–	1.96	–	Nm
Nominal Current	1.63	–	3.17	–	A
Torque Factor	1.27	–	.62	–	Nm/A
Rated Power	0.65	–	1.2	–	kW
Standstill Torque	2.19	–	2.25	–	Nm
Standstill Current	1.71	–	3.55	–	A
Torque Constant	1.3	–	0.65	–	Nm
Friction Torque	0.04	–	0.04	–	Nm
Max Torque	7	–	7	–	Nm
Max Current	8.25	–	16.9	–	A
Resistance	13.1	–	4.9	–	ohms
Inductance	68.7	–	21.1	–	mH
Electrical Time Constant	5.24	–	4.31	–	ms
Inertia	0.4	–	0.4	–	kgcm ²
Weight	2.6	–	2.6	–	kg



310 VDC



620 VDC



620 VDC

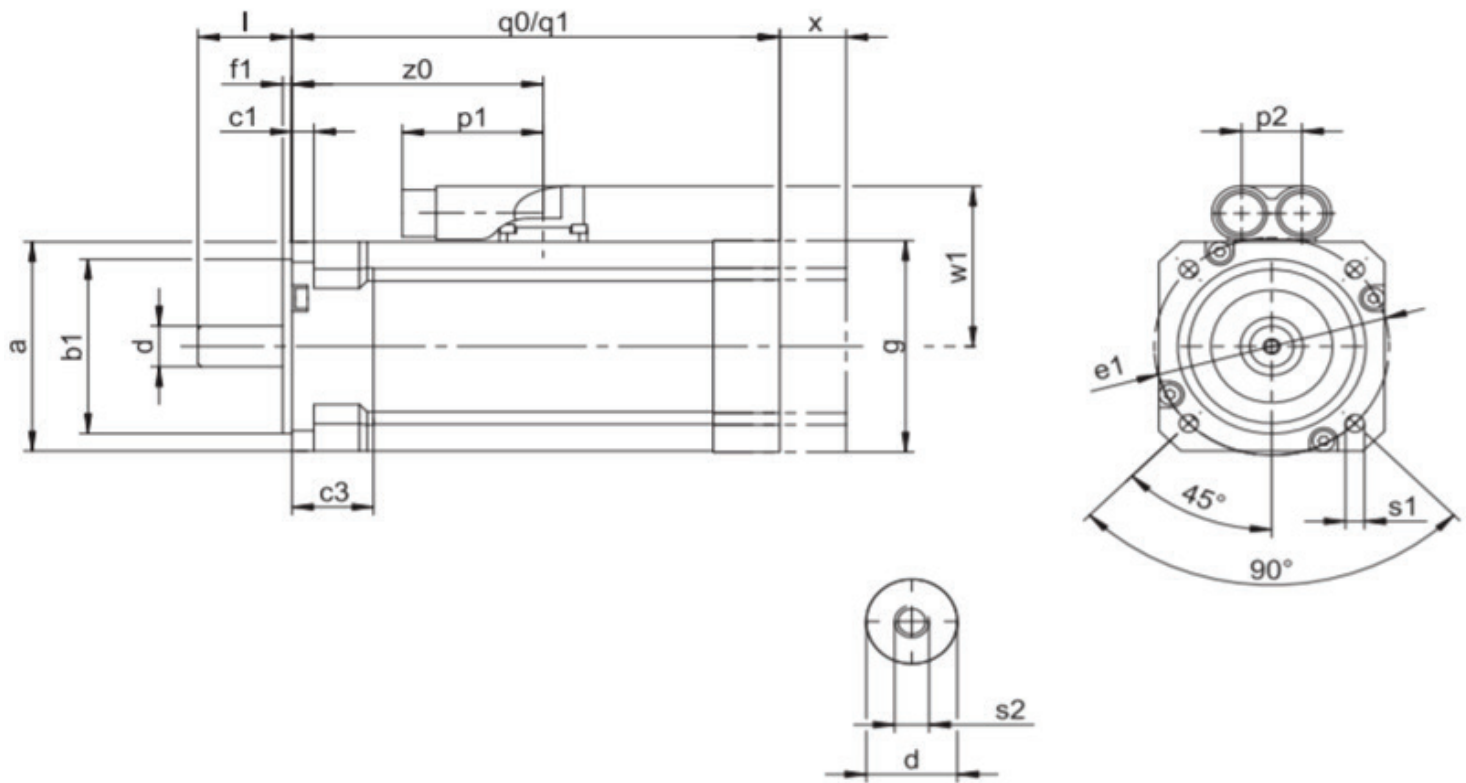


Table 1 EZ303U Dimensions (mm)

	a	b1	c1	c3	d	e1	f1	g	l	p1	p2	q0 ¹⁾	q1 ²⁾	s1	s2	w1	x ³⁾	z0
EZ303U	72	60 _{j6}	7	26	14 _{k6}	75	3	72	30	45	19	160	200	6	M5	55.5	21	124.5

1) q0 applies to motors without holding brake.

2) q1 applies to motors with holding brake.

3) x applies to encoders based on an optical measuring principle.