



### 1 General instructions

In this document you will find supplementary information for the connection of the circulating lubrication system to the two-speed gearbox PS.

Due to the optimization of the design of the gearbox, the position and dimensions of the connections for the circulating lubrication system have changed. This document contains information that must be taken into account when changing to the newer housing designs. Also observe the operating instructions of the gearbox (ID 442639).

### 2 Connections for lubrication

Observe the following changes when connecting the gearbox to the circulating lubrication system:

- The cross-section and the position has changed for connections B, D and J
  - Connection K is omitted from housing design GA2
  - The spacer for connection B or D is omitted for housing design GA2 and higher
- You can find a detailed description of the changes below.

Housing design GA1	Housing design GA2	Housing design GA3

Tab. 2-1: Comparison of housing designs GA1 – GA3

# Assembly instructions

## Connection of the circulating lubrication system to the two-speed gearbox PS



STÖBER ANTRIEBSTECHNIK GmbH & Co. KG  
www.stober.com

GERMANY  
Tel.: ++49 7231 582-0

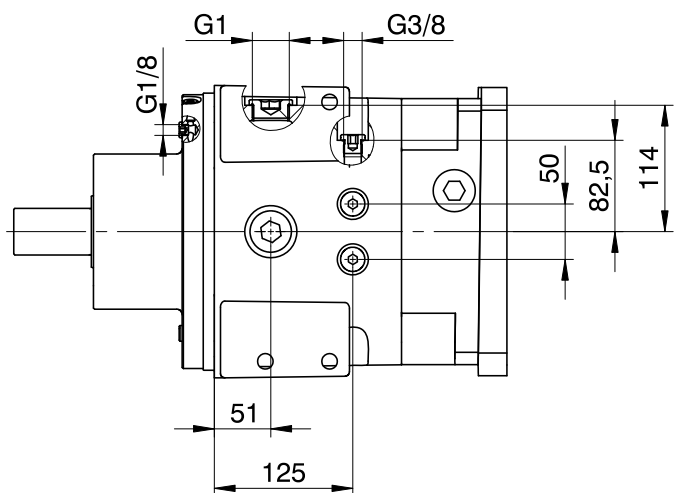
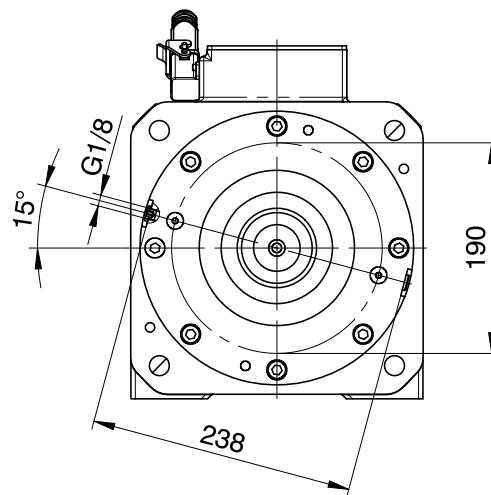
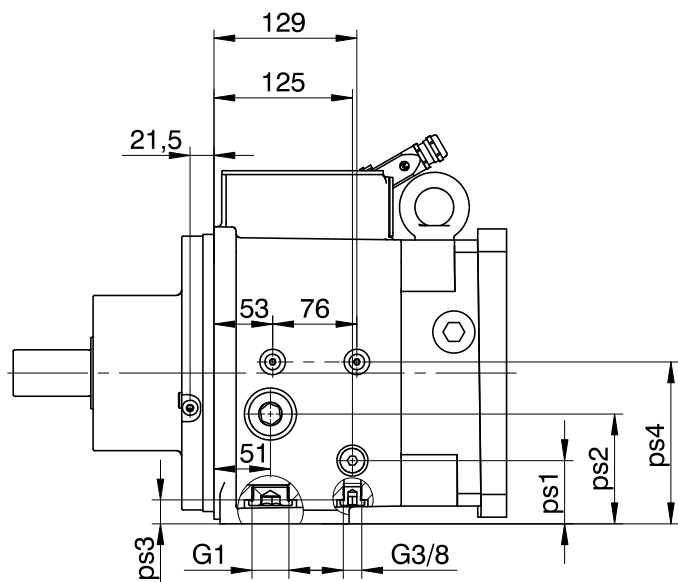
Installation position / main direction of rotation	Supply lineconnection 1		Supply lineconnection 2		Return flow connection			
	Designa- tion <sup>1)</sup> GA1–GA3 <sup>5)</sup>	q <sub>v,lub</sub> [l/min]	Designa- tion <sup>1)</sup> GA1–GA3	q <sub>v,lub</sub> [l/min]	Designation <sup>1)</sup>			q <sub>v,lub</sub> <sup>2)</sup> [l/min]
					GA1	GA2	GA3	
EL1 / cw <sup>3)</sup>	B	≥ 2	E/F/G/H	≥ 1	C	C	C	> 3
EL1 / ccw <sup>4)</sup>	D	≥ 2	E/F/G/H	≥ 1	A	A	A	> 3
EL3 / cw and ccw	D	≥ 2	E/F/G/H	≥ 1	I	I	I	> 3
EL4 / cw and ccw	B	≥ 2	E/F/G/H	≥ 1	I	I	I	> 3
EL5 / cw and ccw	E/F/G/H	≥ 3	–		B/D/J/K	B/D	B/D/J	> 3
EL6 / cw and ccw	E/F/G/H	≥ 3	–		A/C/I	A/C/I	A/C/I	> 3

Tab. 2-2: Assignment of the connections for the installation position and rotary direction

- 1) The "/" sign means "or" (E or F or G or H). Connections F and G are not accessible with the cooling flange option
- 2) As a general rule: q<sub>v,lub</sub> return > q<sub>v,lub</sub> supply
- 3) cw = clockwise when looking at the output shaft
- 4) ccw = counter-clockwise when looking at the output shaft
- 5) GA1–GA3 = different housing designs

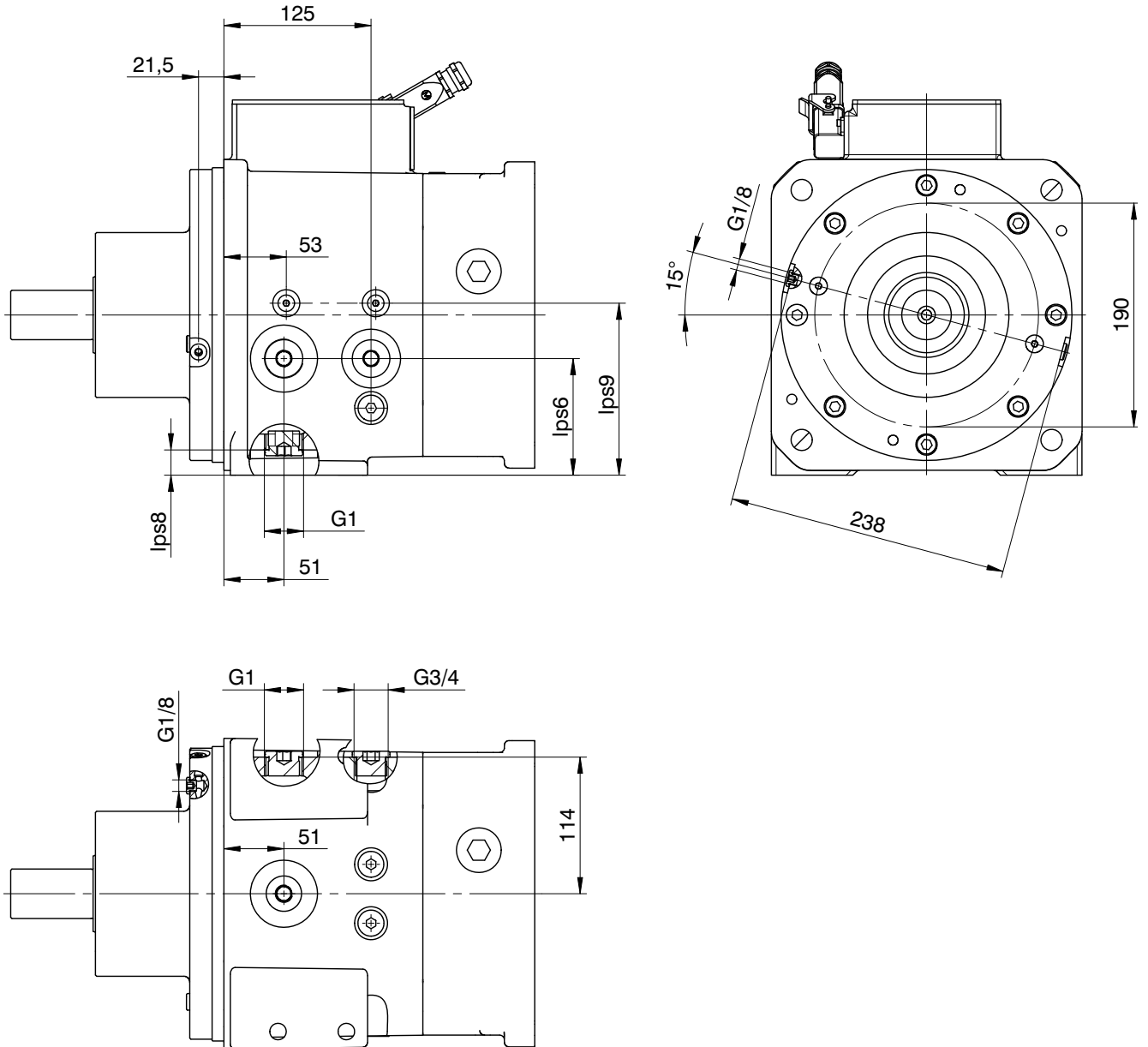
### 3 Dimensions

#### 3.1 Housing design GA1



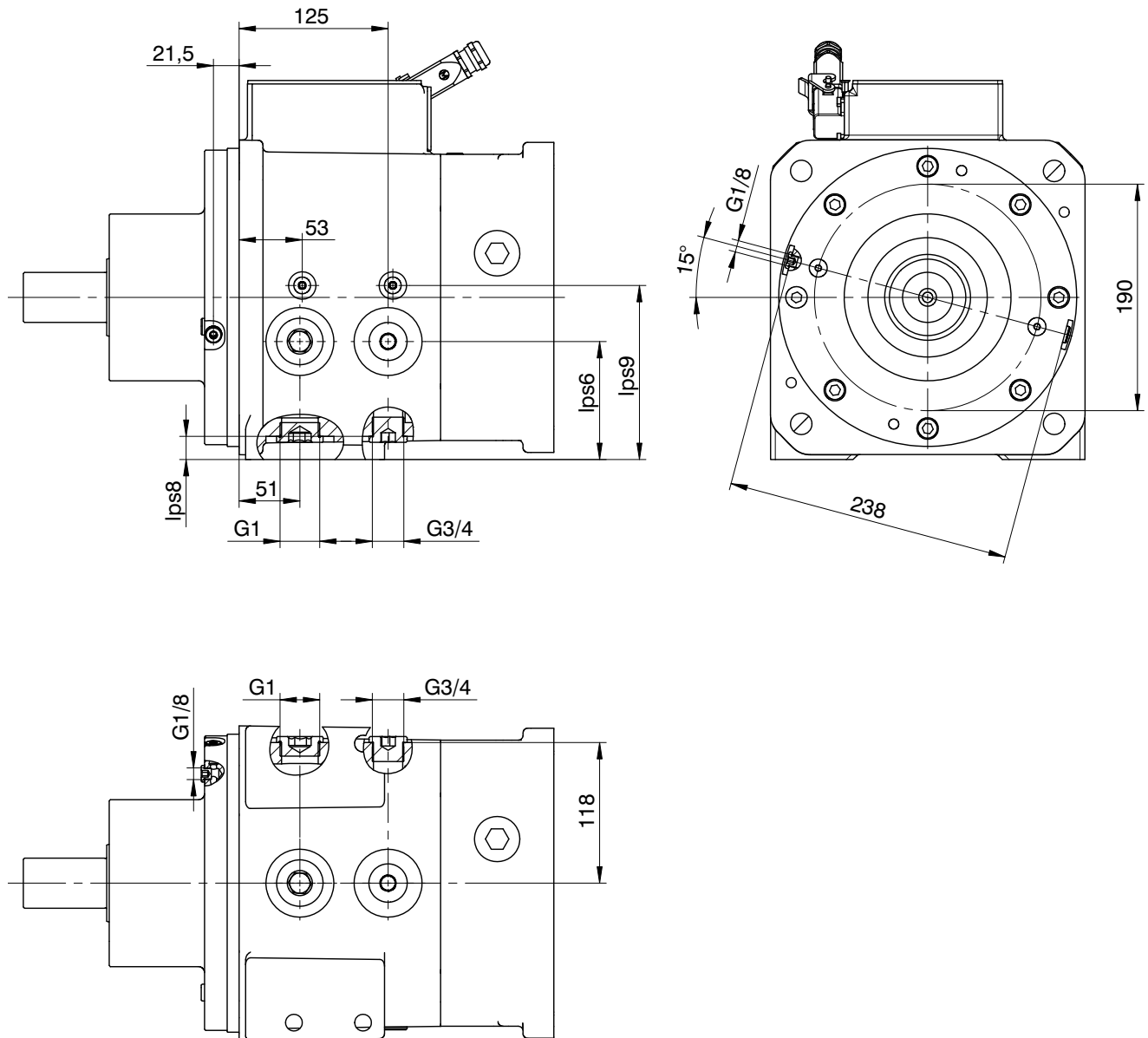
	ps1	ps2	ps3	ps4
PS25	57	99	21,5	146
PS30	85	127	49,5	174

### 3.2 Housing design GA2



	lps6	lps8	lps9
PS25	99	21,5	146
PS30	127	49,5	174

### 3.3 Housing design GA3



	lps6	lps8	lps9
PS25	99	21,5	146
PS30	127	49,5	174