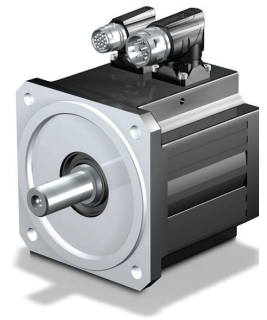


EZ702 Servo Motor

Technical Data Sheet



	3000 RPM		6000 RPM		Units
	Convection	Fan	Convection	Fan	
Model	EZ702U_133	EZ702B_133	EZ702U_082	EZ702B_082	
Max Bus Voltage	650	650	650	650	VDC
Number of Poles	14	14	14	14	
Back EMF	133	133	82	82	V/rpm
Nominal Torque	12	16.6	7.2	12.5	Nm
Nominal Current	8.2	11.8	8.96	16.7	A
Torque Factor	1.46	1.41	0.8	0.75	Nm/A
Rated Power	3.8	5.2	4.5	7.9	kW
Standstill Torque	14.4	19.3	14.3	19.3	Nm
Standstill Current	9.6	12.9	16.5	22.1	A
Torque Constant	1.53	1.51	0.88	0.89	Nm
Friction Torque	0.24	0.24	0.24	0.24	Nm
Max Torque	41	41	41	41	Nm
Max Current	36	36	60.5	60.5	A
Resistance	1	1	0.34	0.34	ohms
Inductance	11.73	11.73	3.9	3.9	mH
Electrical Time Constant	11.73	11.73	11.47	11.47	ms
Inertia	13.7	13.7	13.7	13.7	kgcm ²
Weight	10.8	15.8	10.8	15.8	kg

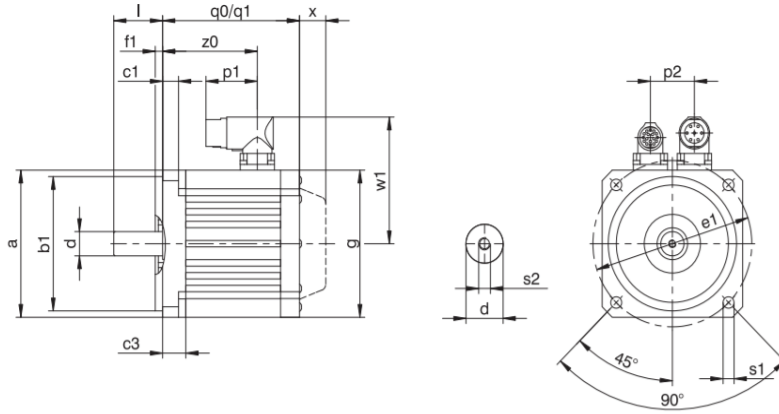
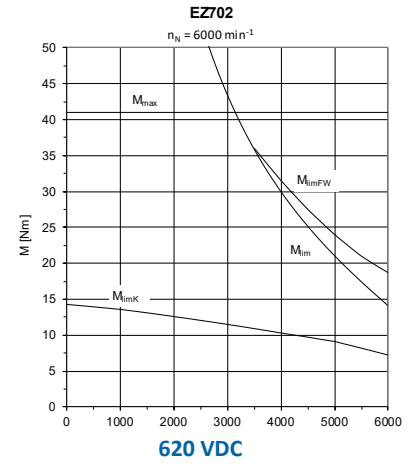
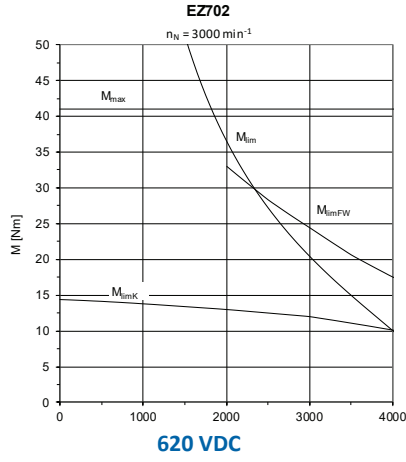
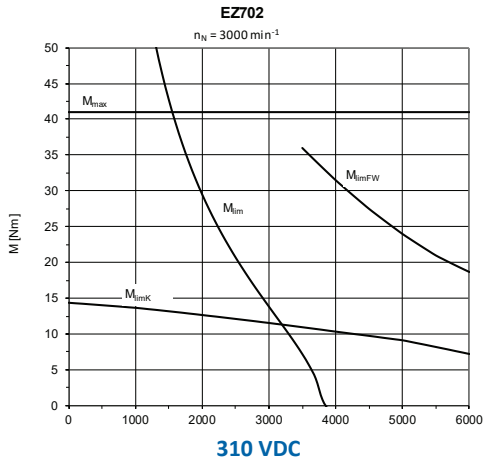


Table 1 EZ702 With Convection Cooling Dimensions (mm)

	a	b1	c1	c3	d	e1	f1	g	l	p1	p2	q0 ¹⁾	q1 ²⁾	s1	s2	w1	x ³⁾	z0
EZ702U	145	130 _{j6}	10	19	24 _{k6}	165	3.5	145	50	40	42	146	205	11	M8	115	22	108

- 1) q0 applies to motors without holding brake.
- 2) q1 applies to motors with holding brake.
- 3) x applies to encoders based on an optical measuring principle.

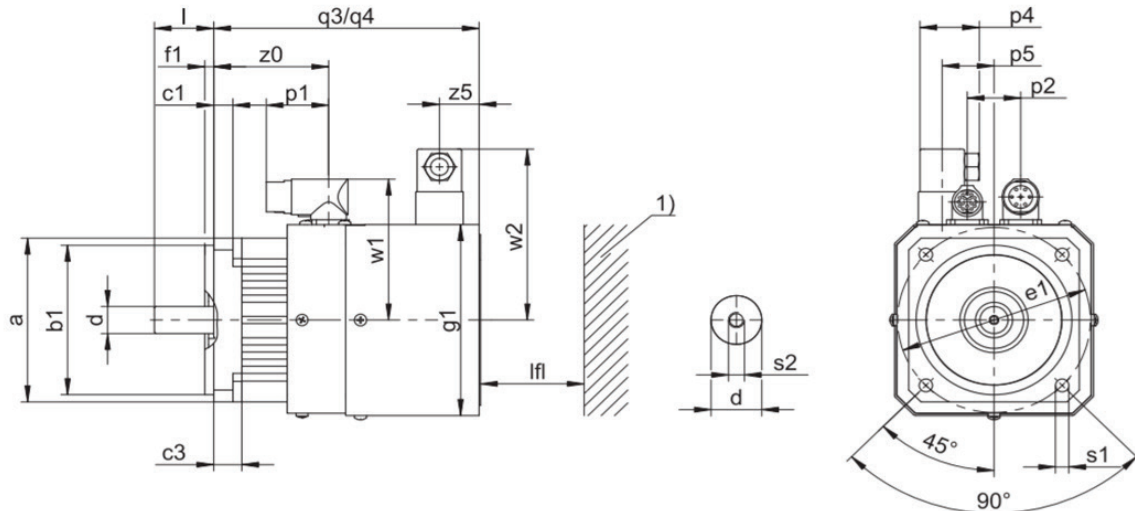


Table 2 EZ702 With Forced Ventilation Dimensions (mm)

	a	b1	c1	c3	d	e1	f1	g1	l	lfl _{min}	p1	p2	p4	p5	q3 ¹⁾	q4 ²⁾	s1	s2	w1	w2	z0	z5
EZ702B	145	130 _{j6}	10	19	24 _{k6}	165	3.5	165	50	30	40	42	37.5	0	238	297	11	M8	115	134	108	40

- 1) q3 applies to motors without holding brake.
- 2) q4 applies to motors with holding brake.
- 3) 1) applies to machine wall