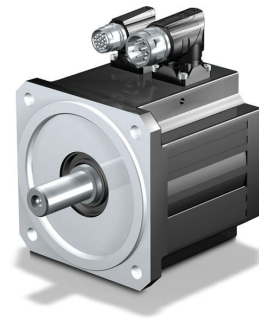


EZ502 Servo Motor

Technical Data Sheet



	3000 RPM		6000 RPM		Units
	Convection	Fan	Convection	Fan	
Model	EZ502U_121	EZ502B_121	EZ502U_072	EZ502B_072	
Max Bus Voltage	650	650	650	650	VDC
Number of Poles	14	14	14	14	
Back EMF	121	121	72	72	V/rpm
Nominal Torque	7.4	10.3	5.2	8.2	Nm
Nominal Current	5.46	7.8	7.35	11.4	A
Torque Factor	1.36	1.32	0.71	0.72	Nm/A
Rated Power	2.3	3.2	3.3	5.2	kW
Standstill Torque	8	11.2	7.8	10.5	Nm
Standstill Current	5.76	8.16	9.8	13.4	A
Torque Constant	1.4	1.38	0.8	0.79	Nm
Friction Torque	0.06	0.06	0.06	0.06	Nm
Max Torque	31	31	31	31	Nm
Max Current	33	33	59	59	A
Resistance	2.32	2.32	0.76	0.76	ohms
Inductance	16.8	16.8	5.6	5.6	mH
Electrical Time Constant	7.24	7.24	7.37	7.37	ms
Inertia	5.2	5.2	5.2	5.2	kgcm ²
Weight	6.5	8.5	6.5	8.5	kg

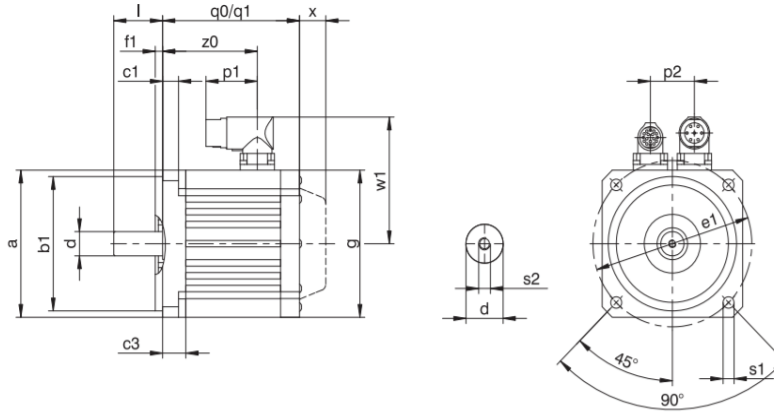
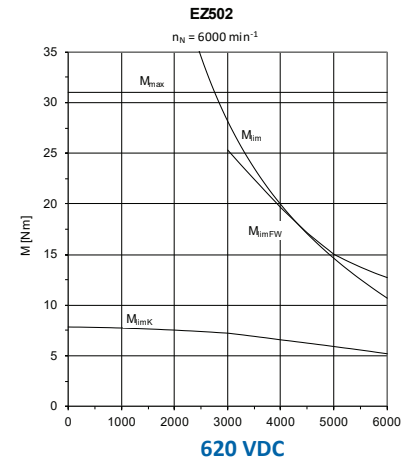
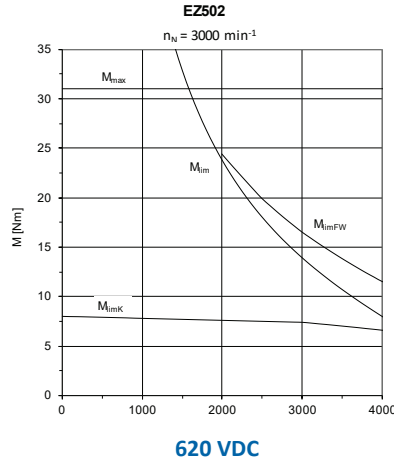
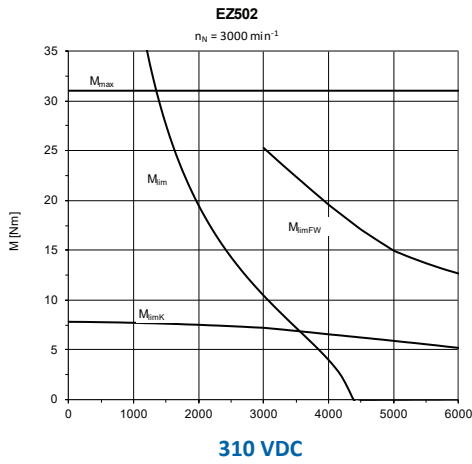


Table 1 EZ502 With Convection Cooling Dimensions (mm)

	a	b1	c1	c3	d	e1	f1	g	l	p1	p2	q0 ¹⁾	q1 ²⁾	s1	s2	w1	x ³⁾	z0
EZ502U	115	110 _{j6}	10	16	19 _{k6}	130	3.5	115	40	40	36	134	188.5	9	M6	100	22	99.5

- 1) q0 applies to motors without holding brake.
- 2) q1 applies to motors with holding brake.
- 3) x applies to encoders based on an optical measuring principle.

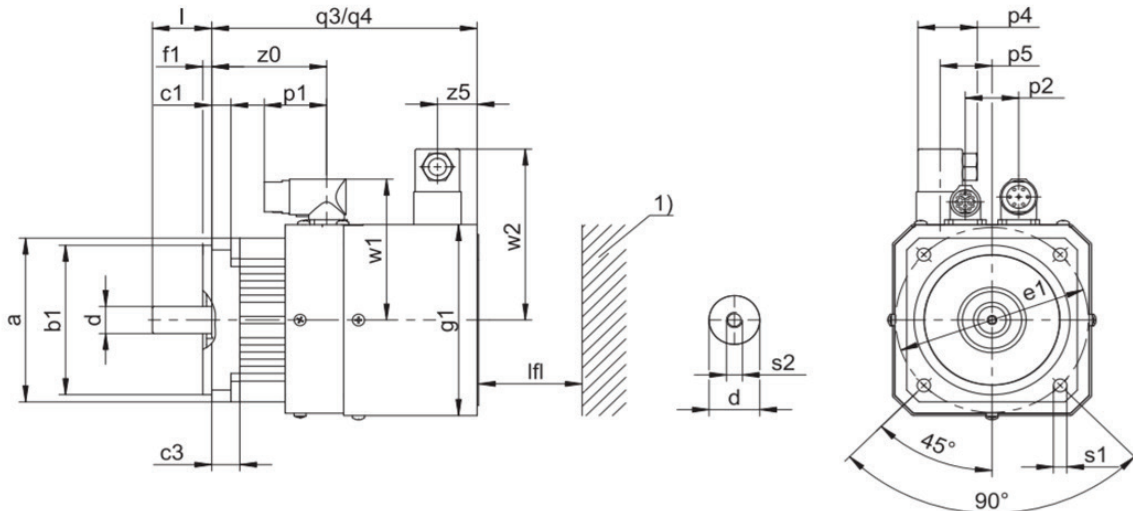


Table 2 EZ502 With Forced Ventilation Dimensions (mm)

	a	b1	c1	c3	d	e1	f1	g1	l	lfl _{min}	p1	p2	p4	p5	q3 ¹⁾	q4 ²⁾	s1	s2	w1	w2	z0	z5
EZ502B	115	110 _{j6}	10	16	19 _{k6}	130	3.5	135	40	20	40	36	37.5	0	204	259	9	M6	100	120	99.5	25

- 1) q3 applies to motors without holding brake.
- 2) q4 applies to motors with holding brake.
- 3) 1) applies to machine wall