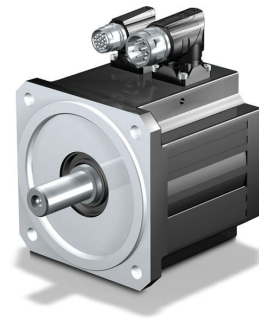
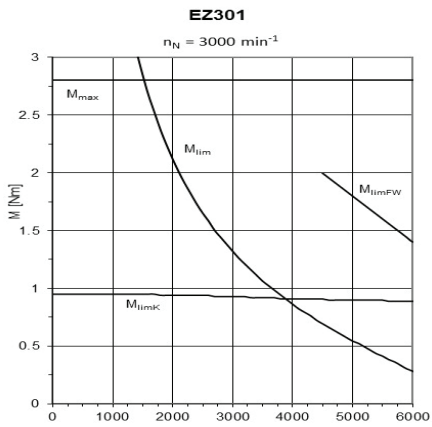


EZ301 Servo Motor

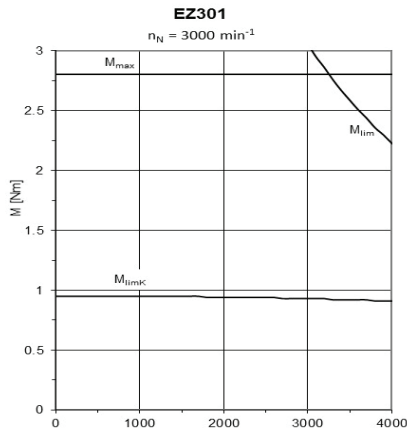
Technical Data Sheet



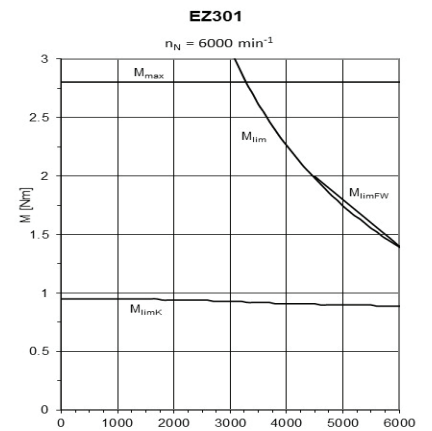
	3000 RPM		6000 RPM		Units
	Convection	Fan	Convection	Fan	
Model	EZ301U_040	–	EZ301U_040	–	
Max Bus Voltage	650	–	650	–	VDC
Number of Poles	10	–	10	–	
Back EMF	40	–	40	–	V/rpm
Nominal Torque	0.93	–	0.89	–	Nm
Nominal Current	1.99	–	1.93	–	A
Torque Factor	0.467	–	0.461	–	Nm/A
Rated Power	0.29	–	0.56	–	kW
Standstill Torque	0.95	–	0.95	–	Nm
Standstill Current	2.02	–	2.02	–	A
Torque Constant	0.49	–	0.49	–	Nm
Friction Torque	0.04	–	0.04	–	Nm
Max Torque	2.8	–	2.8	–	Nm
Max Current	12.7	–	12.7	–	A
Resistance	11.7	–	11.7	–	ohms
Inductance	39.8	–	39.8	–	mH
Electrical Time Constant	3.4	–	3.4	–	ms
Inertia	0.19	–	0.19	–	kgcm ²
Weight	1.5	–	1.5	–	kg



310 VDC



620 VDC



620 VDC

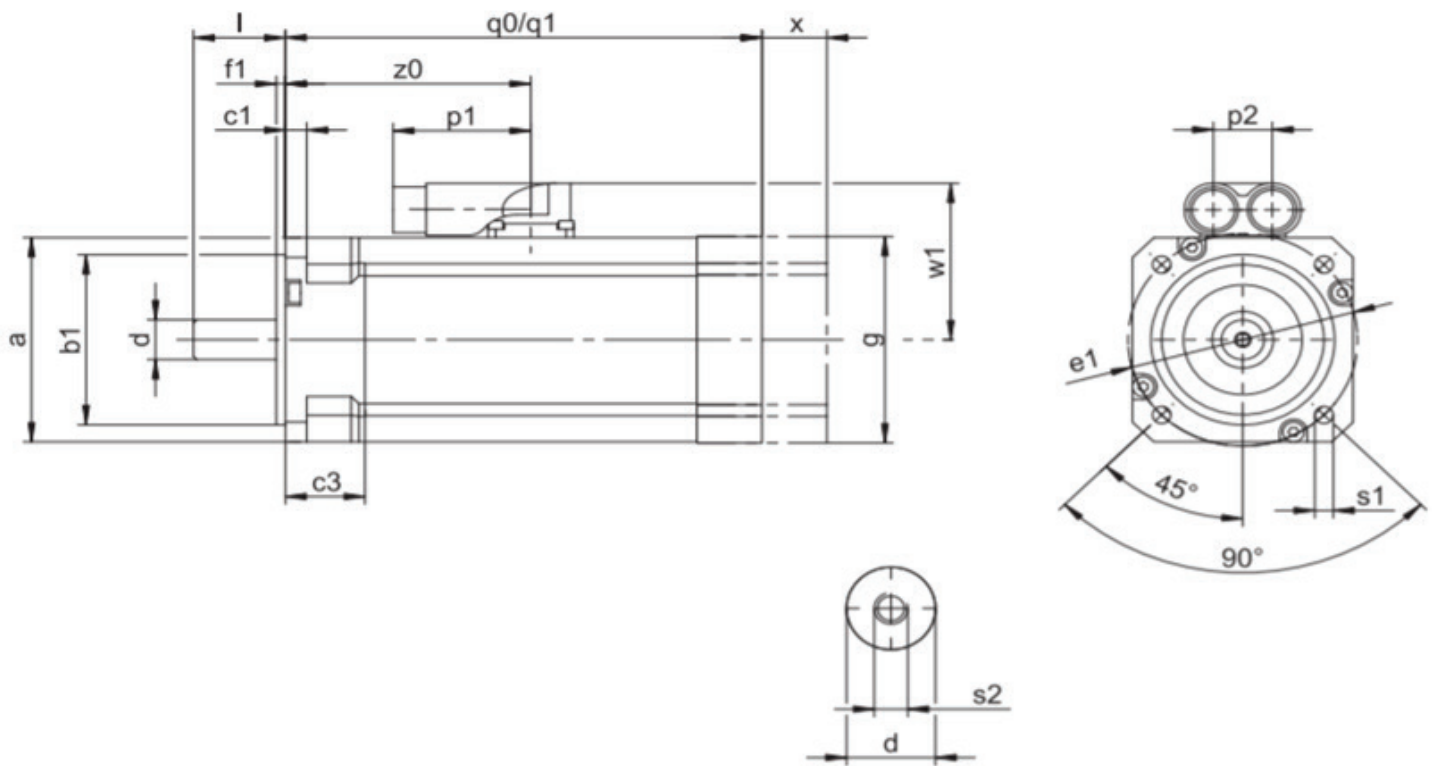


Table 1 EZ301U Dimensions (mm)

	a	b1	c1	c3	d	e1	f1	g	l	p1	p2	q0 ¹⁾	q1 ²⁾	s1	s2	w1	x ³⁾	z0
EZ302U	72	60 _{j6}	7	26	14 _{k6}	75	3	72	30	45	19	116	156	6	M5	55.5	21	80.5

- 1) q0 applies to motors without holding brake.
- 2) q1 applies to motors with holding brake.
- 3) x applies to encoders based on an optical measuring principle.