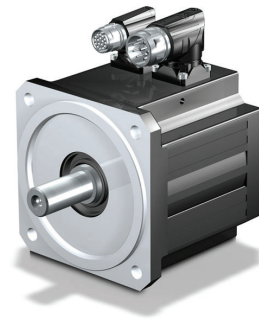


EZ402 Servo Motor

Technical Data Sheet



	3000 RPM		6000 RPM		Units
	Convection	Fan	Convection	Fan	
Model	EZ402U_094	EZ402B_094	EZ402U_060	EZ402B_060	
Max Bus Voltage	650	650	650	650	VDC
Number of Poles	14	14	14	14	
Back EMF	94	94	60	60	V/rpm
Nominal Torque	4.7	5.9	3.5	5.10	Nm
Nominal Current	4.4	5.5	5.65	7.88	A
Torque Factor	1.07	1.07	0.62	0.65	Nm/A
Rated Power	1.5	1.9	2.2	3.2	kW
Standstill Torque	5.2	6.3	4.9	6.4	Nm
Standstill Current	4.8	5.8	7.43	9.34	A
Torque Constant	1.09	1.09	0.66	0.69	Nm
Friction Torque	0.04	0.04	0.04	0.04	Nm
Max Torque	16	16	16	16	Nm
Max Current	26.5	26.5	43.5	43.5	A
Resistance	3.0	3.0	1.20	1.20	ohms
Inductance	21.8	21.8	8.88	8.88	mH
Electrical Time Constant	7.26	7.26	7.4	7.4	ms
Inertia	1.63	1.63	1.63	1.63	kgcm ²
Weight	5.1	6.5	5.1	6.5	kg

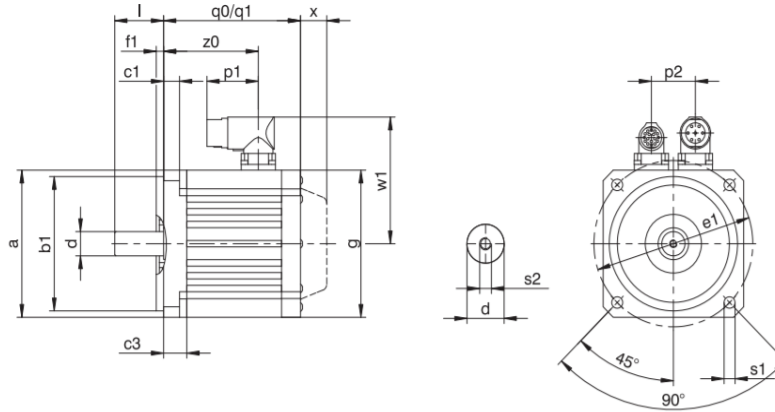
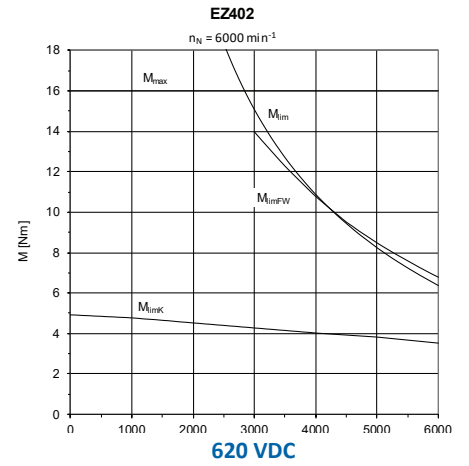
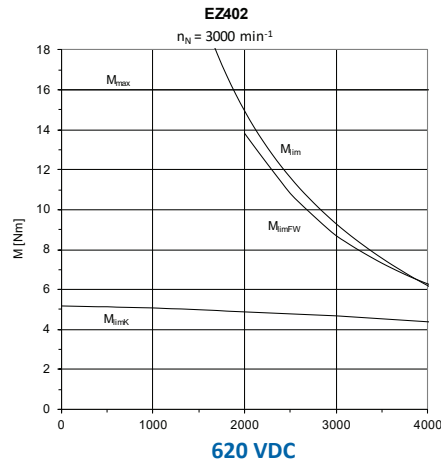
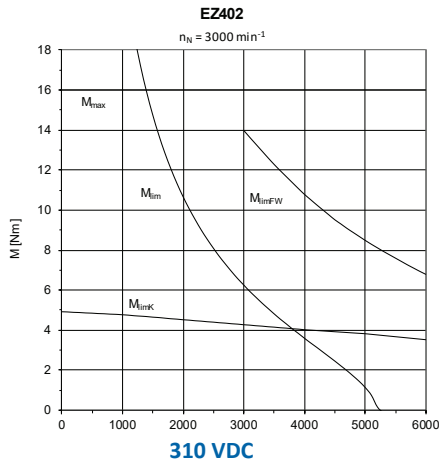


Table 1 EZ402 With Convection Cooling Dimensions (mm)

	a	b1	c1	c3	d	e1	f1	g	l	p1	p2	q0 ¹⁾	q1 ²⁾	s1	s2	w1	x ³⁾	z0
EZ402U	98	95 _{j6}	9.5	20.5	19 _{k6}	115	3.5	98	40	40	32	143.5	192	9	M6	91	22	101.5

- 1) q0 applies to motors without holding brake.
- 2) q1 applies to motors with holding brake.
- 3) x applies to encoders based on an optical measuring principle.

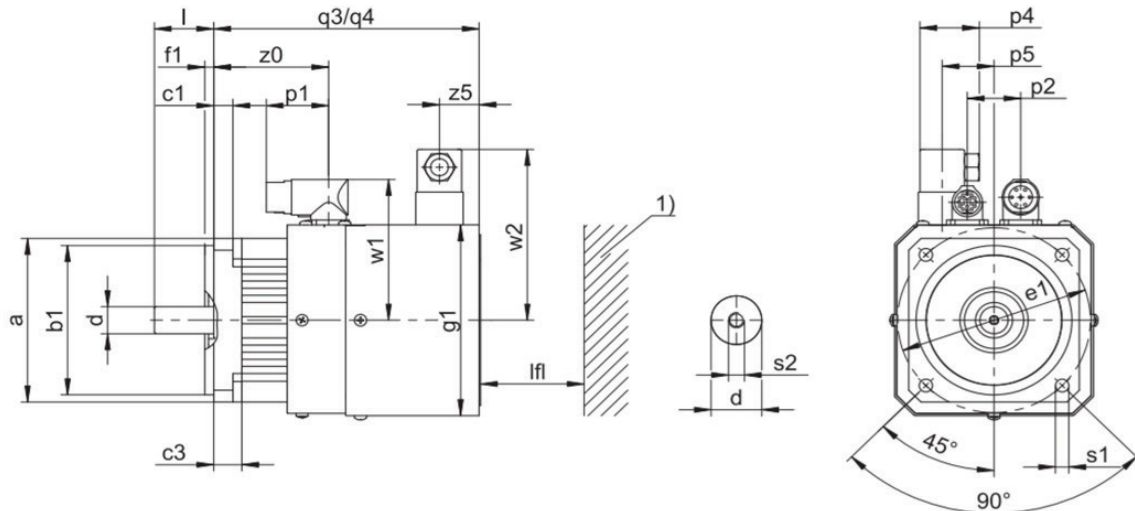


Table 2 EZ402 With Forced Ventilation Dimensions (mm)

	a	b1	c1	c3	d	e1	f1	g1	l	lfl _{min}	p1	p2	p4	p5	q3 ¹⁾	q4 ²⁾	s1	s2	w1	w2	z0	z5
EZ402B	98	95 _{j6}	9.5	20.5	19 _{k6}	115	3.5	118	40	20	40	32	37.5	0	200	249	9	M6	91	111	101.5	25

- 1) q3 applies to motors without holding brake.
- 2) q4 applies to motors with holding brake.
- 3) 1) applies to machine wall