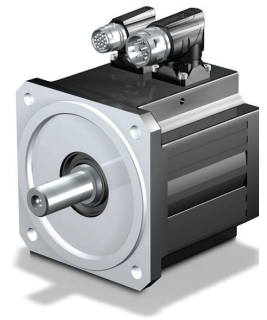


EZ505 Servo Motor

Technical Data Sheet



	3000 RPM		4500 RPM		Units
	Convection	Fan	Convection	Fan	
Model	EZ505U_141	EZ505B_141	EZ505U_103	EZ505B_103	
Max Bus Voltage	650	650	650	650	VDC
Number of Poles	14	14	14	14	
Back EMF	141	141	103	103	V/rpm
Nominal Torque	13.5	20.2	9.5	16.4	Nm
Nominal Current	8.8	13.7	8.94	16.4	A
Torque Factor	1.53	1.47	1.06	1	Nm/A
Rated Power	4.2	6.4	4.5	7.7	kW
Standstill Torque	16	23.4	15.3	22	Nm
Standstill Current	10	14.7	13.4	19.4	A
Torque Constant	1.61	1.6	1.15	1.14	Nm
Friction Torque	0.06	0.06	0.06	0.06	Nm
Max Torque	67	67	67	67	Nm
Max Current	52	52	73	73	A
Resistance	0.93	0.93	0.5	0.5	ohms
Inductance	8.33	8.33	4.47	4.47	mH
Electrical Time Constant	8.96	8.96	8.94	8.94	ms
Inertia	12.2	12.2	12.2	12.2	kgcm ²
Weight	10.9	12.9	10.9	12.9	kg

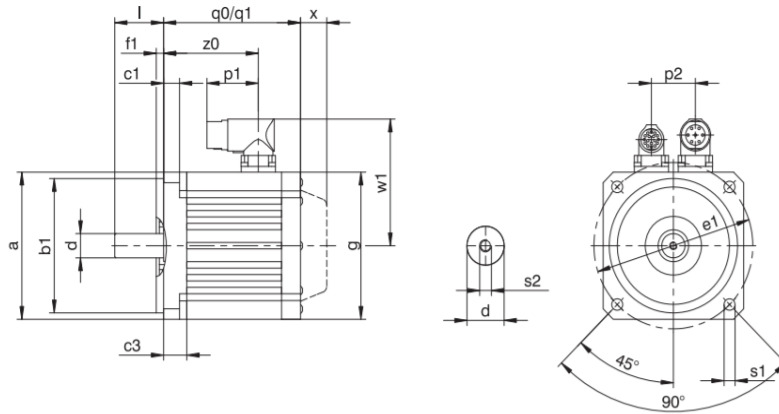
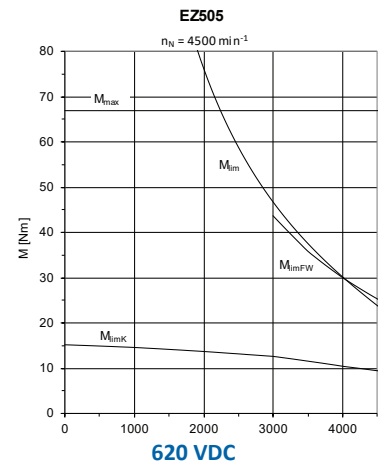
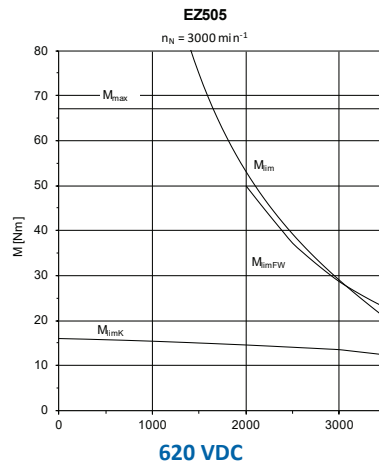
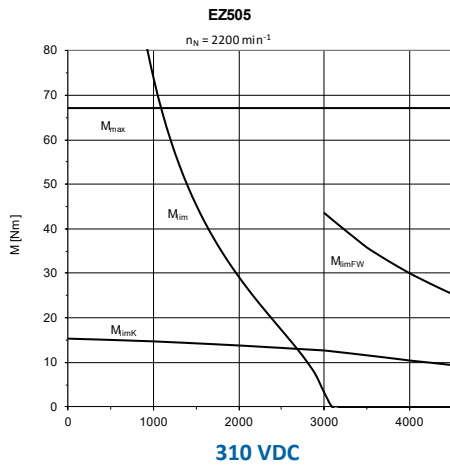


Table 1 EZ505 With Convection Cooling Dimensions (mm)

	a	b1	c1	c3	d	e1	f1	g	l	p1	p2	q0 ¹⁾	q1 ²⁾	s1	s2	w1	x ³⁾	z0
EZ505U	115	110 _{j6}	10	16	24 _{k6}	130	3.5	115	50	40	36	209	263.5	9	M8	100	22	174.5

- 1) q0 applies to motors without holding brake.
- 2) q1 applies to motors with holding brake.
- 3) x applies to encoders based on an optical measuring principle.

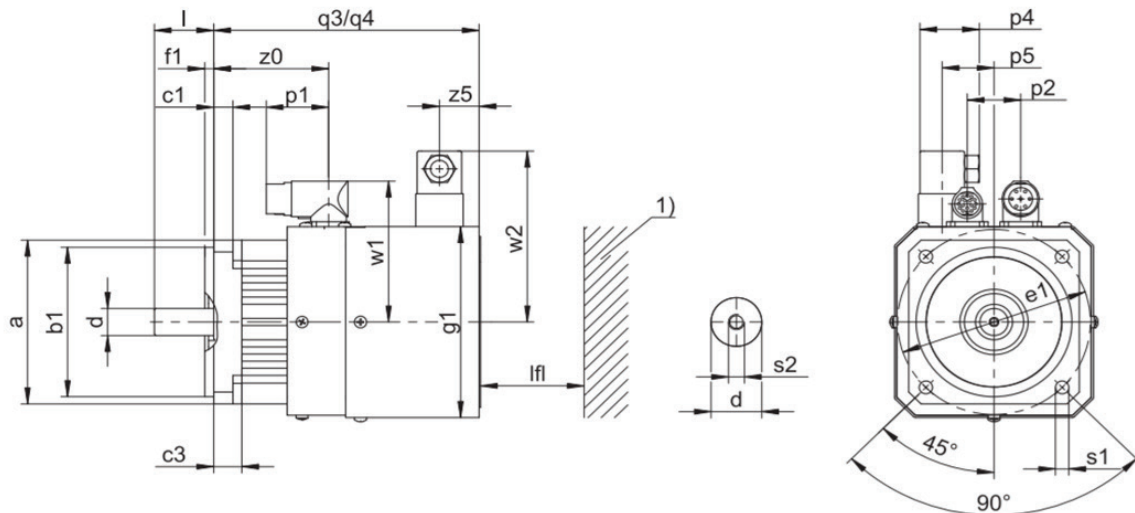


Table 2 EZ505 With Forced Ventilation Dimensions (mm)

	a	b1	c1	c3	d	e1	f1	g1	l	lfl _{min}	p1	p2	p4	p5	q3 ¹⁾	q4 ²⁾	s1	s2	w1	w2	z0	z5
EZ505B	115	110 _{j6}	10	16	24 _{k6}	130	3.5	135	50	20	40	36	37.5	0	279	334	9	M8	100	120	174.5	25

- 1) q3 applies to motors without holding brake.
- 2) q4 applies to motors with holding brake.
- 3) 1) applies to machine wall