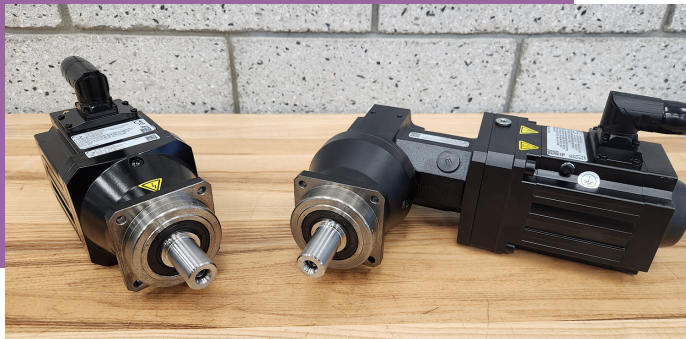


OPTIMIZE WITHOUT COMPROMISE



STOBER's inline planetary geared motor solution takes up less space in your machine footprint than a right-angle planetary solution. Don't get stuck in a solution — **find the best fit.**

In addition to overall space savings, switching to STOBER's inline solution provides these additional benefits:

COST-EFFECTIVE

Keep more money in your pocket to invest in other parts of your machine.

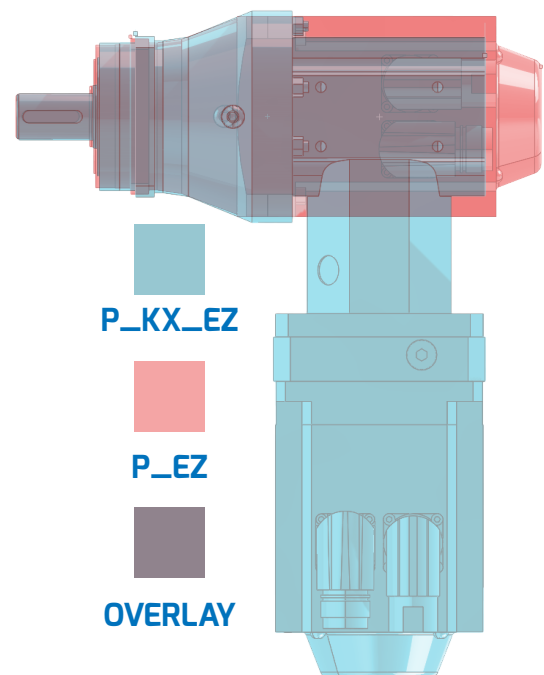
MORE DYNAMIC

Higher rigidity, lower backlash, double the input speed capability*, and more than 60% less inertia* leads to higher performance capabilities and higher acceleration rate potential.

COMPONENT ELIMINATION

Remove the need for additional bracketing and eliminate wear components within the unit, extending its life.

*BASED ON A P731_0070KX701_0010 MF EZ702U AND A P731_0070EZ702U



A P_EZ inline solution overlaid with the same size P_KX_EZ solution for size comparison.