

PK Series: RIGHT ANGLE – Shaft Output

PK Series

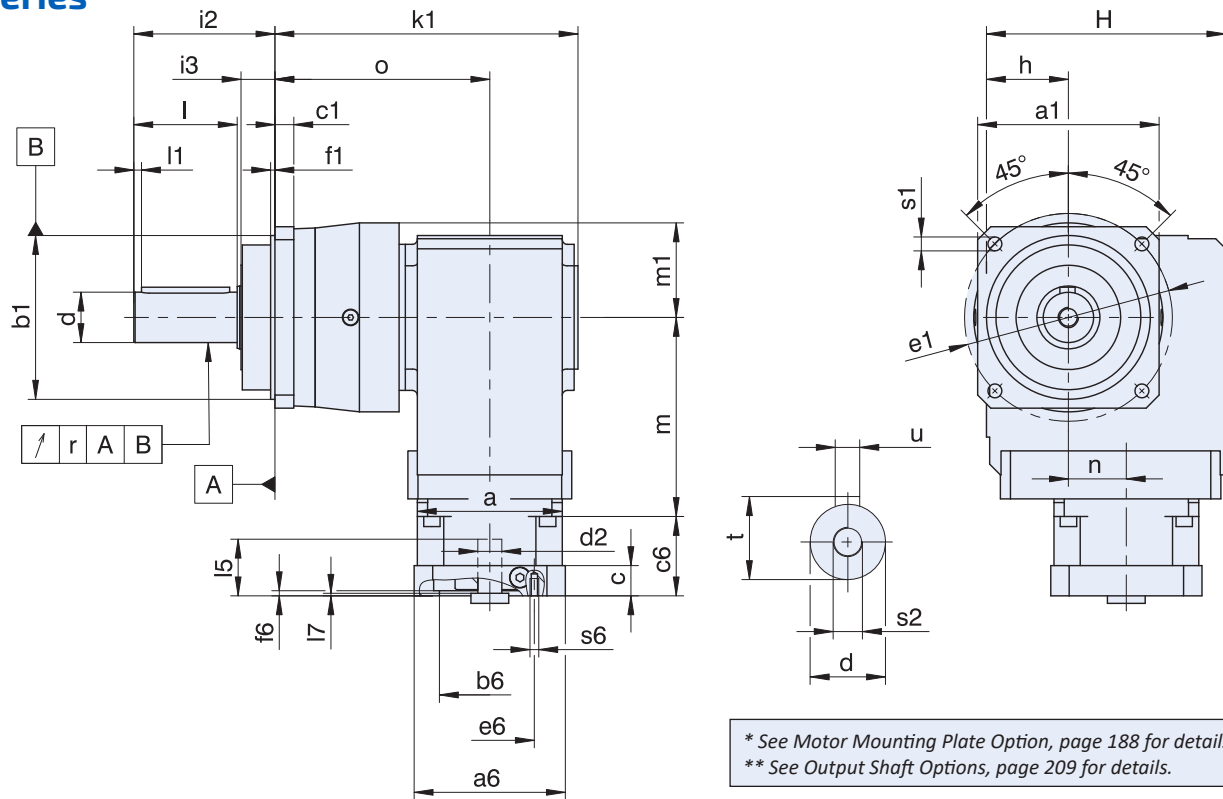
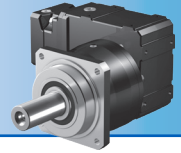


Table 1 Dimensions (mm)

| Unit | Øa1 | Øb1 | c1 | Ød | Øe1 | f1 | h | H | i2 | i3 | k1 | l | l1 | m1 | o | r | Øs1 | s2 | t | u |
|-----------|-----|-------------------|----|------------------|-----|------|----|-----|-----|----|-------|-----|----|-------|-------|-------|------|-----|------|-----------|
| P531_K102 | 101 | 90 ^{h6} | 10 | 32 ^{h6} | 120 | 15.0 | 60 | 160 | 88 | 28 | 199.5 | 58 | 3 | 60.0 | 143.5 | 0.030 | 9.0 | M12 | 35.0 | A10×8×50 |
| P731_K102 | 144 | 130 ^{h6} | 15 | 40 ^{h6} | 165 | 3.5 | 60 | 160 | 112 | 27 | 212.5 | 82 | 4 | 75.0 | 156.5 | 0.035 | 11.0 | M16 | 43.0 | A12×8×70 |
| P731_K202 | 144 | 130 ^{h6} | 15 | 40 ^{h6} | 165 | 3.5 | 65 | 190 | 112 | 27 | 240.5 | 82 | 4 | 75.0 | 170.5 | 0.035 | 11.0 | M16 | 43.0 | A12×8×70 |
| P831_K202 | 190 | 160 ^{h6} | 15 | 55 ^{h6} | 215 | 10.0 | 65 | 190 | 112 | 27 | 277.5 | 82 | 6 | 102.0 | 207.5 | 0.035 | 13.5 | M20 | 59.0 | A16×10×70 |
| P831_K302 | 190 | 160 ^{h6} | 15 | 55 ^{h6} | 215 | 10.0 | 75 | 213 | 112 | 27 | 291.0 | 82 | 6 | 102.0 | 215.0 | 0.035 | 13.5 | M20 | 59.0 | A16×10×70 |
| P931_K402 | 212 | 180 ^{h6} | 17 | 75 ^{h6} | 250 | 10.0 | 90 | 240 | 143 | 34 | 350.5 | 105 | 7 | 115.0 | 260.5 | 0.040 | 17.5 | M20 | 79.5 | A20×12×90 |



Dimensional Data

Motor Mounting Plate

Table 2 Dimensions (mm)

| Base Right Angle Module | Motor Adapter Code | | | | | | | | | | | | Wt. lbs. |
|-------------------------------|--------------------|-----|----|------|-----|----|------|-----|----|------|-----|----|-------------|
| | ME10 | | | ME20 | | | ME30 | | | ME40 | | | |
| | C | m | n | C | m | n | C | m | n | C | m | n | |
| P531_K102 | ∅98 | 124 | 36 | ∅115 | 128 | 36 | — | — | — | — | — | — | 31 |
| P731_K102 | ∅98 | 124 | 36 | ∅115 | 128 | 36 | — | — | — | — | — | — | 31 |
| P731_K202 | ∅98 | 143 | 46 | ∅115 | 147 | 46 | ∅145 | 149 | 46 | — | — | — | 40 |
| P831_K202 | ∅98 | 143 | 46 | ∅115 | 147 | 46 | ∅145 | 149 | 46 | — | — | — | 40 |
| P831_K302 | ∅140 | 163 | 53 | ∅115 | 167 | 53 | ∅145 | 169 | 53 | — | — | — | 67 |
| P931_K402 | — | — | — | ∅160 | 187 | 60 | ∅145 | 189 | 60 | ∅190 | 192 | 60 | 93 |

Table 3 Dimensions (mm)

| Motor Adapter Code | Thickness ²⁾ c Min. | Motor Shaft d2 Max. ¹⁾ | X | Wt. lbs. |
|-----------------------|-----------------------------------|---|----|----------|
| ME10 | 21 | 19 | 40 | 5 |
| ME20 | 24 | 32 | 50 | 8 |
| ME30 | 25 | 38 | 60 | 12 |
| ME40 | 33 | 48 | 88 | 18 |

1) If an adapter bushing is required it will be supplied as a component of the motor mounting plate.

2) Motor plate maximum thickness (L9) will vary with motor shaft length but will not be less than shown.

PK Series: RIGHT ANGLE – Shaft Output