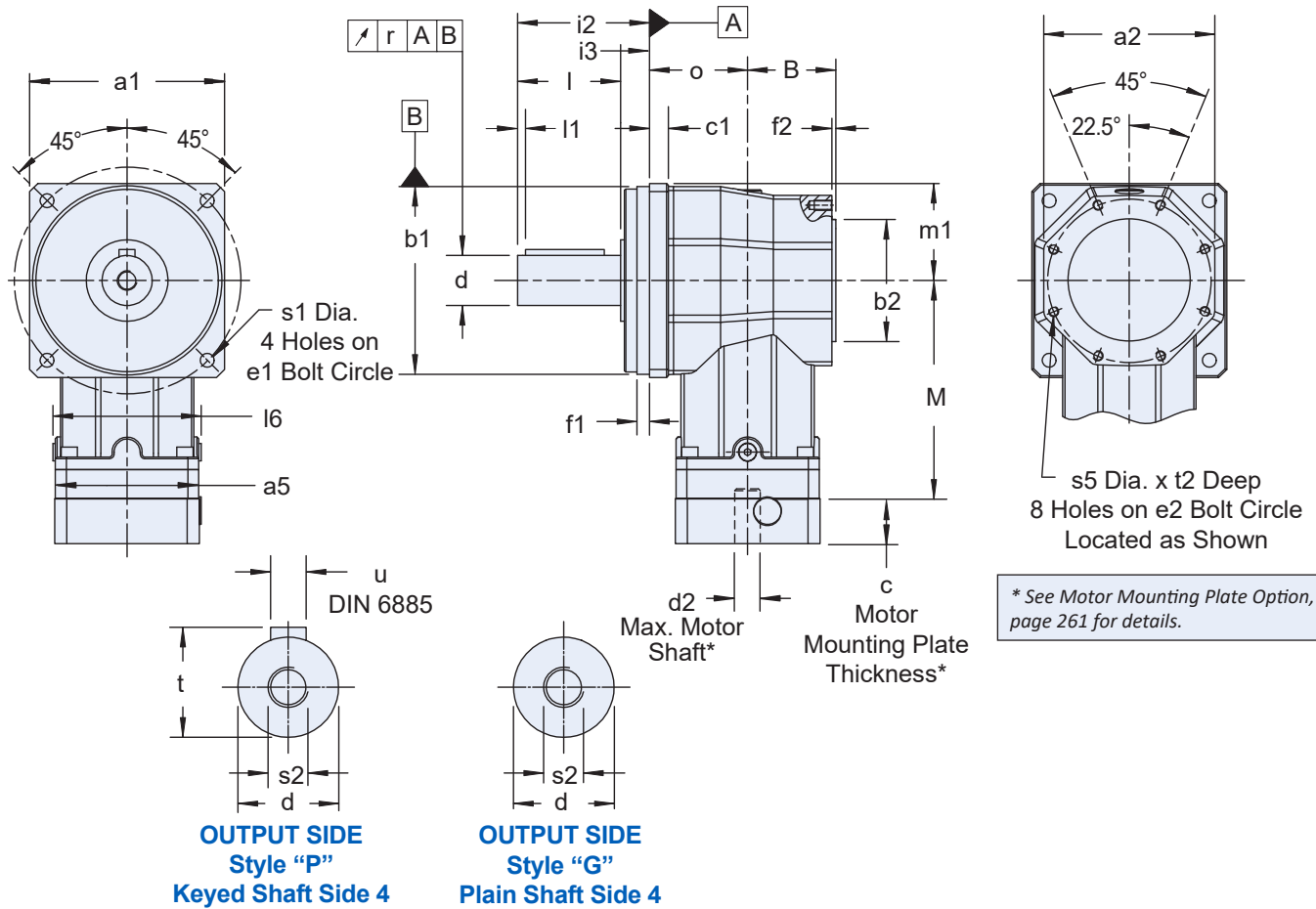


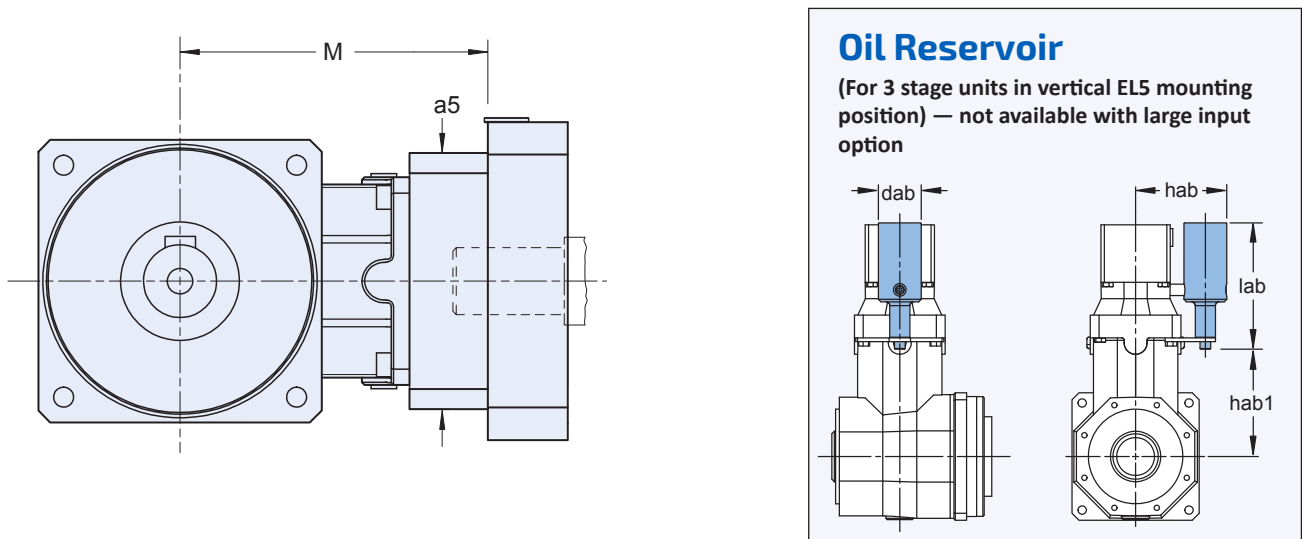
KS Series: RIGHT ANGLE – Versatile Outputs

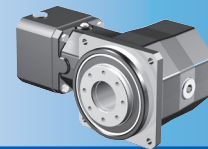
Shaft Output – “P” (with key) & “G” (without key)

With Standard Input



With Large Input Option





Dimensional Data

Table 1 Dimensions (mm)

Unit	a1	a2	B	b1	h6	b2	h6	c1	d	k6	e1	e2
KS4	101	93	51	95	+0.000/-0.022	75	+0.000/-0.019	10	22	+0.015/+0.002	120	88
KS5	125	109	58	120	+0.000/-0.022	90	+0.000/-0.022	10	32	+0.018/+0.002	145	105
KS7	155	135	70	150	+0.000/-0.025	110	+0.000/-0.022	15	40	+0.018/+0.002	180	130

Table 2 Dimensions (mm)

Unit	f1	f2	i2	i3	l	l1	l6	m1	o	r	s1	s2	s5	t	t2	u
KS4	8	3	52	14.0	36	3	77.5	50.5	53	0.020	6.6	M8	M5x0.80	24.5	9	A6x6x28
KS5	9	3	75.5	15.5	58	3	98	62.5	62	0.020	9	M12	M6x1.00	35	11	A10x8x50
KS7	10	3	105	20.0	82	4	120	77.5	78	0.025	11	M16	M8x1.25	43	14	A12x8x70

Table 3 Dimensions (mm)

Standard Input			Large Input		
Unit	a5	M	Unit	a5	M
KS402	72	137.5	KS402_L	100	141.5
KS403	55	161.0	KS403_L	75	177.5
KS502	98	158.0	KS502_L	115	166.5
KS503	72	205.5	KS503_L	100	209.5
KS702	115	191.0	KS702_L	145	205.0
KS703	98	240.5	KS703_L	115	249.0

Table 4 Oil Reservoir Dimensions (mm)

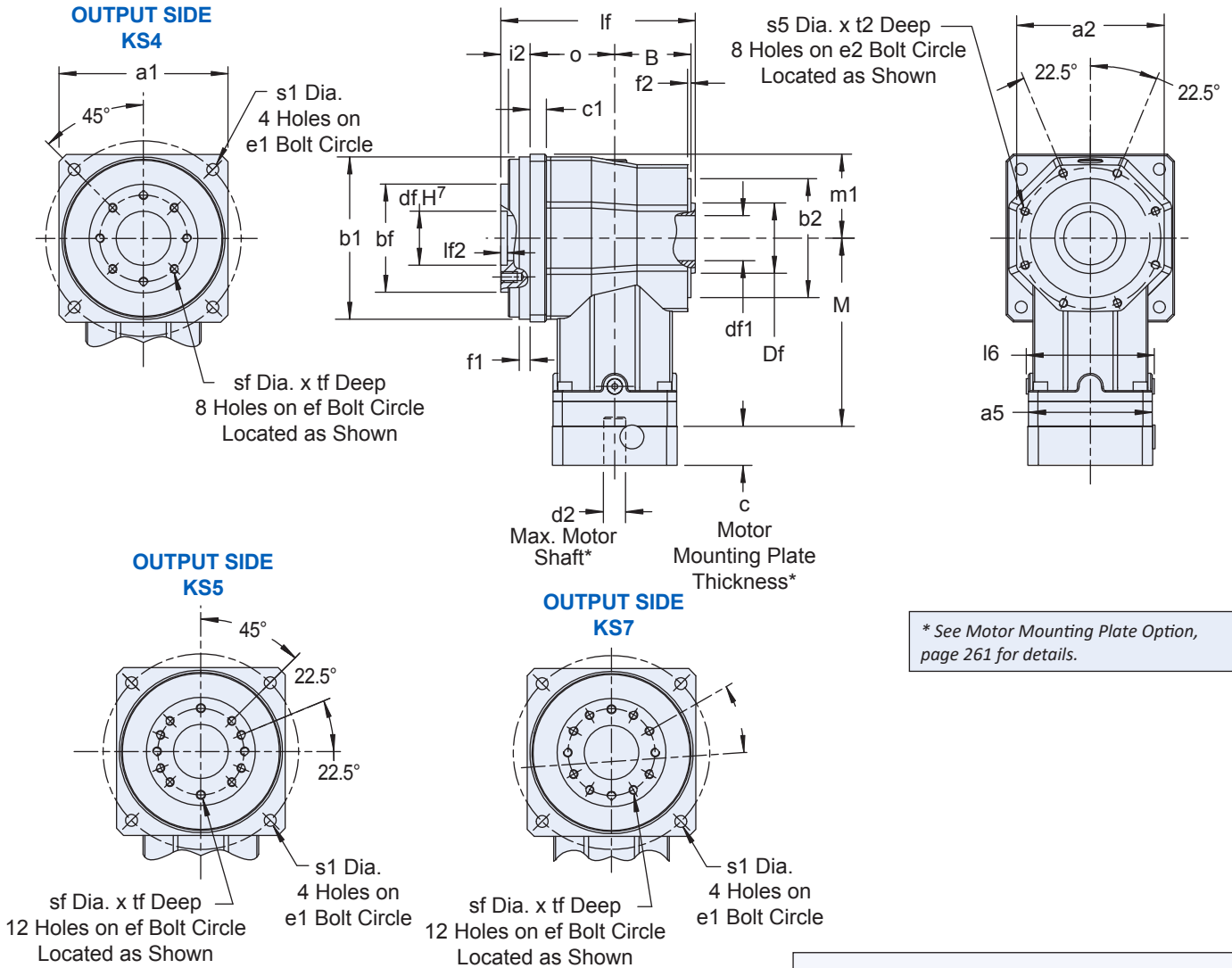
Unit Type	dab	hab	hab1	lab
KS403	34	74.5	85	100
KS503	39	92	105	122
KS703	49	109.5	132	134

KS Series: RIGHT ANGLE – Versatile Outputs

KS Series: RIGHT ANGLE – Versatile Outputs

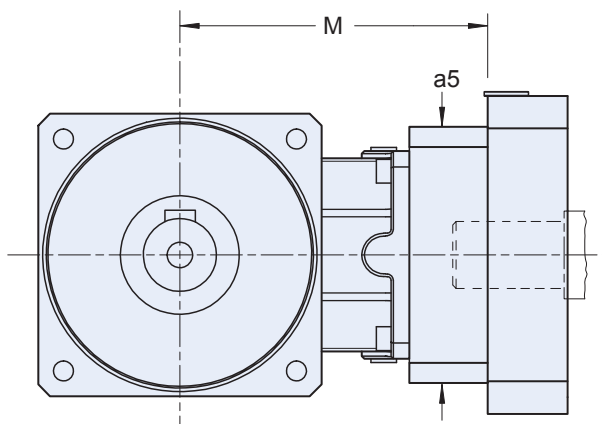
Flanged Hollow Output – “F”

With Standard Input



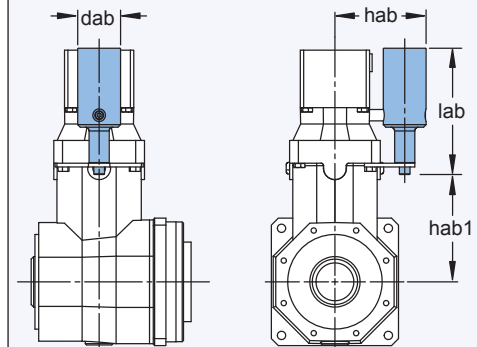
* See Motor Mounting Plate Option, page 261 for details.

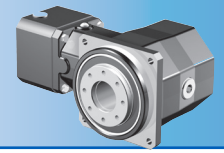
With Large Input Option



Oil Reservoir

(For 3 stage units in vertical EL5 mounting position) — not available with large input option





Dimensional Data

Table 1 Dimensions (mm)

Unit	a1	a2	B	b1	h6	b2	h6	bf	h7	c1	Df	d ⁹	df	H ⁷	df1
KS4	101	93	51	95	+0.000/-0.022	75	+0.000/-0.019	63	+0.000/-0.030	10	40	-0.080/-0.180	31.5	+0.025/-0.0	30
KS5	125	109	58	120	+0.000/-0.022	90	+0.000/-0.022	80	+0.000/-0.030	10	48	-0.080/-0.180	40	+0.025/-0.0	38
KS7	155	135	70	150	+0.000/-0.025	110	+0.000/-0.022	100	+0.000/-0.035	15	60	-0.100/-0.174	50	+0.025/-0.0	49

Table 2 Dimensions (mm)

Unit	e1	e2	ef	f1	f2	i2	l6	lf	lf2	m1	o	s1	s5	sf	t2	tf
KS4	120	88	50	8	3	20	77.5	127	6	50.5	53	6.6	M5x0.80	M6x1.00	9	11
KS5	145	105	63	9	3	22	98	145	6.5	62.5	62	9	M6x1.00	M6x1.00	11	12
KS7	180	130	80	10	3	27	120	178	7	77.5	78	11	M8x1.25	M8x1.25	14	15

Table 3 Dimensions (mm)

Standard Input			Large Input		
Unit	a5	M	Unit	a5	M
KS402	72	137.5	KS402_L	100	141.5
KS403	55	161.0	KS403_L	75	177.5
KS502	98	158.0	KS502_L	115	166.5
KS503	72	205.5	KS503_L	100	209.5
KS702	115	191.0	KS702_L	145	205.0
KS703	98	240.5	KS703_L	115	249.0

Table 4 Oil Reservoir Dimensions (mm)

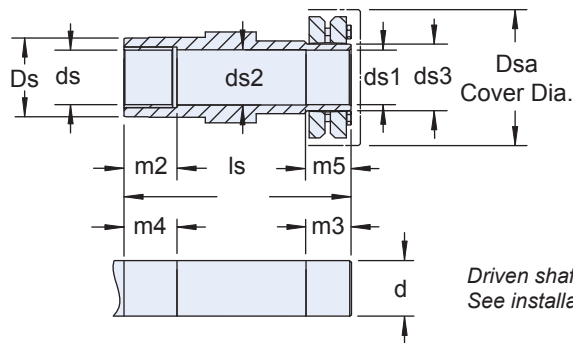
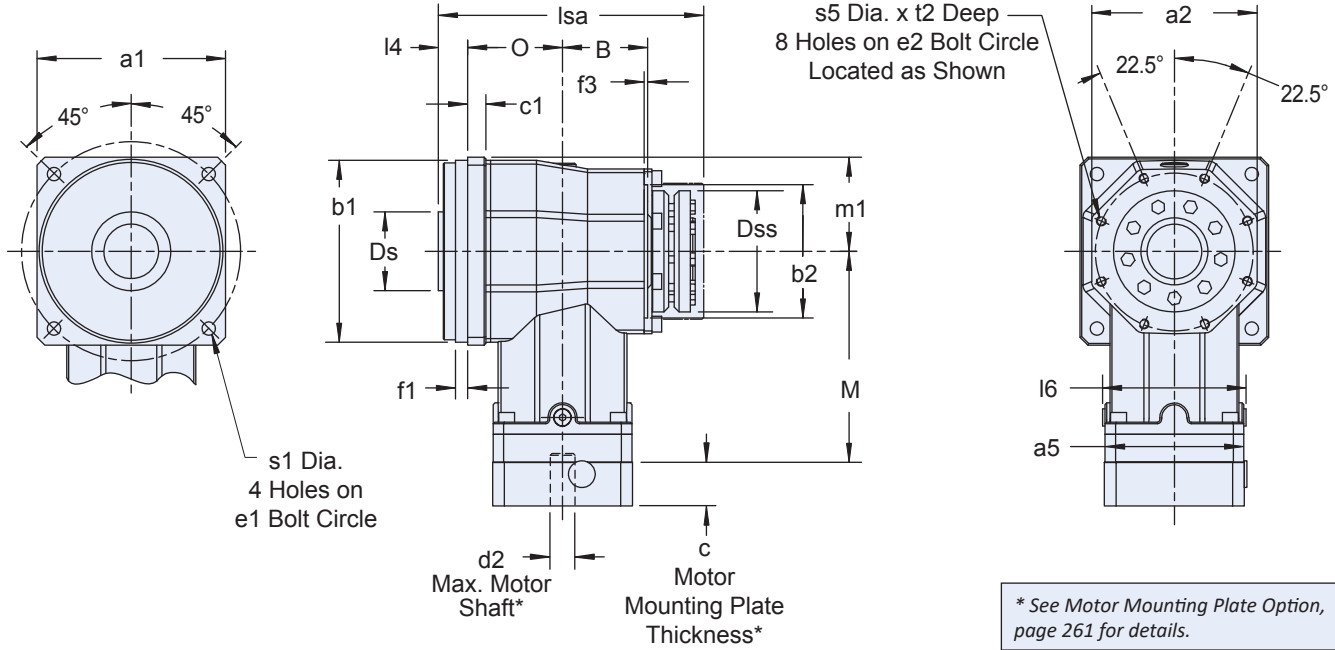
Unit Type	dab	hab	hab1	lab
KS403	34	74.5	85	100
KS503	39	92	105	122
KS703	49	109.5	132	134

KS Series: RIGHT ANGLE – Versatile Outputs

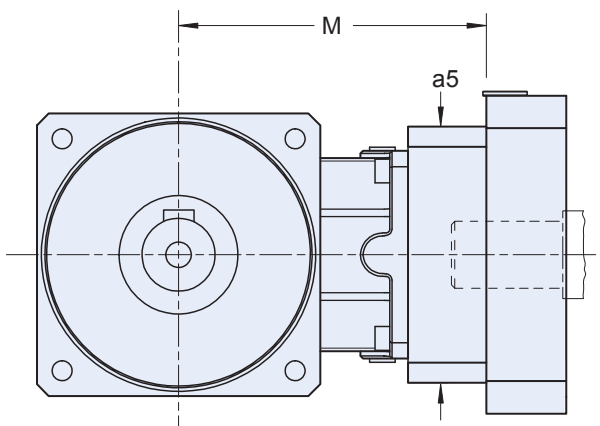
KS Series: RIGHT ANGLE – Versatile Outputs

Shrink Ring Output – “S”

With Standard Input

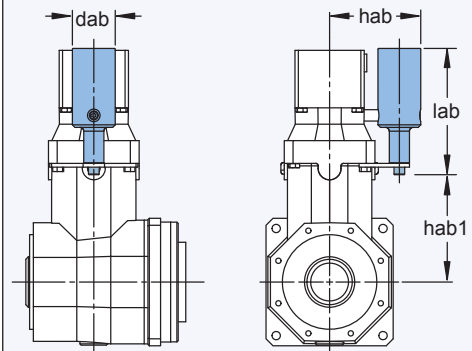


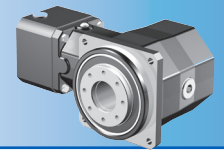
With Large Input Option



Oil Reservoir

(For 3 stage units in vertical EL5 mounting position) — not available with large input option





Dimensional Data

Table 1 Dimensions (mm)

Unit	a1	a2	B	b1	h6	b2	h6	c1	Ds	Dsa	Dss	ds	h9	ds1		ds2	ds3
														Bore ^{H9}	Shaft ^{H9}		
KS4	101	93	51	95	+0.000/-0.022	75	+0.000/-0.019	10	40	72	60	25	+0.000/-0.052	25	25	25.5	30
KS5	125	109	58	120	+0.000/-0.022	90	+0.000/-0.022	10	50	92	80	35	+0.000/-0.062	35	35	35.5	44
KS7	155	135	70	150	+0.000/-0.025	110	+0.000/-0.022	15	65	112	100	45	+0.000/-0.062	45	45	45.5	55

Table 2 Dimensions (mm)

Unit	e1	e2	f1	f2	l4	l6	ls	lsa	m1	m2	m3	m4	m5	o	s1	s5	t2
KS4	120	88	8	3	18	77.5	151	158	50.5	20	34	25	29	53	6.6	M5x0.80	9
KS5	145	105	9	3	19.5	98	171.5	179.5	62.5	30	39	35	34	62	9	M6x1.00	11
KS7	180	130	10	3	24	120	211	218	77.5	40	42	45	37	78	11	M8x1.25	14

Table 3 Dimensions (mm)

Standard Input			Large Input		
Unit	a5	M	Unit	a5	M
KS402	72	137.5	KS402_L	100	141.5
KS403	55	161.0	KS403_L	75	177.5
KS502	98	158.0	KS502_L	115	166.5
KS503	72	205.5	KS503_L	100	209.5
KS702	115	191.0	KS702_L	145	205.0
KS703	98	240.5	KS703_L	115	249.0

Table 4 Oil Reservoir Dimensions (mm)

Unit Type	dab	hab	hab1	lab
KS403	34	74.5	85	100
KS503	39	92	105	122
KS703	49	109.5	132	134

KS Series: RIGHT ANGLE – Versatile Outputs