

Drive Based Center Winder – SD6 Manual

en-US
03/2025
ID 443346.03

Table of contents

- Table of contents 2**
- 1 Foreword 5**
- 2 User information 6**
 - 2.1 Storage and transfer 6
 - 2.2 Described product 6
 - 2.3 Directives and standards 6
 - 2.4 Timeliness 6
 - 2.5 Original language 6
 - 2.6 Limitation of liability 6
 - 2.7 Formatting conventions 7
 - 2.7.1 Display of warning messages and information 7
 - 2.7.2 Markup of text elements 8
 - 2.7.3 Mathematics and formulas 8
 - 2.8 Trademarks 9
- 3 Safety notes 10**
- 4 What you should know before commissioning 11**
 - 4.1 DS6 program interface 11
 - 4.1.1 Configuring the view 13
 - 4.1.2 Navigation using sensitive circuit diagrams 14
 - 4.2 Meaning of parameters 15
 - 4.2.1 Parameter groups 15
 - 4.2.2 Parameter types and data types 16
 - 4.2.3 Parameter types 17
 - 4.2.4 Parameter structure 17
 - 4.2.5 Parameter visibility 18
 - 4.3 Signal sources 19
 - 4.4 Non-volatile memory 19
- 5 Commissioning 20**
 - 5.1 Initiating the project 21
 - 5.1.1 Projecting the drive controller and axis 21
 - 5.1.2 Configuring safety technology 22
 - 5.1.3 Creating other drive controllers and modules 22
 - 5.1.4 Projecting the module 23
 - 5.1.5 Projecting the project 23
 - 5.2 Mapping the mechanical axis model 24
 - 5.2.1 Parameterizing the motor 24
 - 5.2.2 Parameterizing the axis model 24

5.3	Referencing absolute position	28
5.3.1	Defining the referencing method	28
5.3.2	Parameterizing the reference switch.....	28
5.3.3	Setting the reference.....	28
5.4	Parameterizing Drive Based device control.....	29
5.4.1	Parameterizing transition conditions	29
5.5	Transmitting and saving a configuration	30
5.5.1	Transmitting the configuration.....	30
5.5.2	Saving the configuration.....	32
5.6	Testing the configuration	33
5.6.1	Testing jog mode	33
5.6.2	Testing the motion commands.....	35
5.7	Parameterizing the Drive Based Center Winder application.....	36
5.7.1	General motion variables and signal sources	36
5.7.2	Parameterizing center winder operating mode	45
5.7.3	Parameterizing command operating mode.....	65
6	More on Drive Based Center Winder?	89
6.1	Drive Based Center Winder – Concept	89
6.1.1	Operating modes	90
6.1.2	Jog mode.....	90
6.1.3	Control panels.....	91
6.1.4	Motion core	91
6.1.5	Data sources	91
6.1.6	Additional functions	94
6.2	Center winder – Concept.....	103
6.2.1	Winding methods	104
6.2.2	Motion variables.....	109
6.2.3	Winding diameter	111
6.2.4	Winding direction	113
6.2.5	Compensation for friction and mass inertia	115
6.2.6	Material tear monitoring	116
6.2.7	PID controller.....	116
6.3	Axis model	118
6.4	Limit switches	120
6.4.1	Real axes	120
6.4.2	Special cases	124
6.5	Referencing.....	125
6.5.1	Referencing methods.....	125
6.5.2	Reference position.....	147
6.5.3	Reference retaining	147
6.5.4	Reference loss.....	148

6.6	Drive Based device control	152
6.6.1	Drive Based device state machine	152
6.6.2	States, transitions and conditions	153
6.7	Motion commands	159
6.8	Electronic nameplate.....	161
6.9	Lag monitoring.....	161
7	Appendix.....	162
7.1	Standard mapping of Drive Based Center Winder.....	162
7.1.1	SD6: Drive Based Center Winder receive process data	163
7.1.2	SD6: Drive Based Center Winder transmit process data	163
7.2	Detailed information	164
7.3	Formula symbols	165
7.4	Abbreviations	165
8	Contact	166
8.1	Consultation, service and address.....	166
8.2	Your opinion is important to us.....	166
8.3	Close to customers around the world	167
	List of figures.....	168
	List of tables.....	170
	Glossary	171

1 Foreword

This documentation describes the general functions of the Drive Based Center Winder application and guides you step by step through the setup and project configuration of your drive project in the individual operating modes.

The Drive Based Center Winder application contained in the software provides universal solutions for drive-based motion control using position, velocity and torque/force control types. The motion commands associated with these control types are categorized into the following operating modes:

- Command
- Center winder

In center winder operating mode or using the 30: MC_Winder motion command in command operating mode, the Drive Based Center Winder application enables you to implement various winding applications for the center winder in the velocity control type, e.g. winding, unwinding or rewinding materials such as plastic, wire, textiles or paper.

Additional functions for monitoring process variables such as positions or velocities offer added convenience in monitoring.

The DriveControlSuite commissioning software for 6th generation drive controllers offers convenient functions for efficient project configuration and commissioning of drive controllers in multi-axis and single-axis applications.

2 User information

This documentation supports you in the setup and project configuration of your drive system with the Drive Based Center Winder application in conjunction with Drive Based device control.

Technical knowledge

To be able to commission one or more drive controllers using the Drive Based Center Winder application, possibly in combination with a controller, you should have basic knowledge of handling 6th generation STÖBER drive controllers and of the DriveControlSuite commissioning software.

Technical requirements

Before you begin operating your drive system, you need to have wired the drive controllers involved and initially check that they are functioning correctly. To do this, follow the instructions in the manual for the relevant drive controller.

2.1 Storage and transfer

As this documentation contains important information for handling the product safely and efficiently, it must be stored in the immediate vicinity of the product until product disposal and be accessible to qualified personnel at all times.

Also pass on this documentation if the product is transferred or sold to a third party.

2.2 Described product

This documentation is binding for:

SD6 series drive controllers in conjunction with the DriveControlSuite software (DS6) in V 6.7-A or later and associated firmware in V 6.7-A or later.

2.3 Directives and standards

Refer to the drive controller documentation for the European directives and standards relevant to the drive controller and accessories.

2.4 Timeliness

Check whether this document is the latest version of the documentation. We make the latest document versions for our products available for download on our website:

<http://www.stoeber.de/en/downloads/>.

2.5 Original language

The original language of this documentation is German; all other language versions are derived from the original language.

2.6 Limitation of liability

This documentation was created taking into account the applicable standards and regulations as well as the current state of technology.

No warranty or liability claims for damage shall result from failure to comply with the documentation or from use that deviates from the intended use of the product. This is especially true for damage caused by individual technical modifications to the product or the project configuration and operation of the product by unqualified personnel.

2.7 Formatting conventions

Orientation guides in the form of signal words, symbols and special text markups are used to emphasize specific information so that you are able identify it in this documentation quickly.

2.7.1 Display of warning messages and information

Warning messages are identified with symbols. They indicate special risks when handling the product and are accompanied by relevant signal words that express the extent of the risk. Furthermore, useful tips and recommendations for efficient, error-free operation are specially highlighted.

ATTENTION!

Attention

This indicates that damage to property may occur

- if the stated precautionary measures are not taken.

⚠ CAUTION!

Caution

This word with a warning triangle indicates that minor personal injury may occur

- if the stated precautionary measures are not taken.

⚠ WARNING!

Warning

This word with a warning triangle means there may be a considerable risk of fatal injury

- if the stated precautionary measures are not taken.

⚠ DANGER!

Danger

This word with a warning triangle indicates that there is a considerable risk of fatal injury

- if the stated precautionary measures are not taken.

Information

Information indicates important information about the product or serves to emphasize a section in the documentation that deserves special attention from the reader.

2.7.2 Markup of text elements

Certain elements of the continuous text are distinguished as follows.

Important information	Words or expressions with a special meaning
Interpolated position mode	Optional: File or product name or other name
<u>Detailed information</u>	Internal cross-reference
http://www.samplelink.com	External cross-reference

Software and other displays

The following formatting is used to identify the various information content of elements referenced by the software interface or a drive controller display, as well as any user entries.

Main menu Settings	Window names, dialog box names, page names or buttons, combined proper nouns, functions referenced by the interface
Select Referencing method A	Predefined entry
Save your <own IP address>	User-defined entry
EVENT 52: COMMUNICATION	Displays (status, messages, warnings, faults)

Keyboard shortcuts and command sequences or paths are represented as follows.

[Ctrl], [Ctrl] + [S]	Key, key combination
Table > Insert table	Navigation to menus/submenus (path specification)

2.7.3 Mathematics and formulas

The following signs are used to represent mathematical relationships and formulas.

–	Subtraction
+	Addition
×	Multiplication
÷	Division
	Absolute value

2.8 Trademarks

The following names used in connection with the device, its optional equipment and its accessories are trademarks or registered trademarks of other companies:

CANopen [®] , CiA [®]	CANopen [®] and CiA [®] are registered trademarks of CAN in AUTOMATION e.V., Germany, the international user and manufacturer association.
EnDat [®]	EnDat [®] and the EnDat [®] logo are registered trademarks of Dr. Johannes Heidenhain GmbH, Germany.
EtherCAT [®] , Safety over EtherCAT [®]	EtherCAT [®] and TwinCAT [®] are registered trademarks and patented technologies, licensed by Beckhoff Automation GmbH, Germany.
PLCopen [®]	PLCopen [®] is a registered trademark of the PLCopen Organisation, Netherlands.
PROFIBUS [®] , PROFINET [®]	PROFIBUS [®] and PROFINET [®] are registered trademarks of PROFIBUS Nutzerorganisation e.V., Germany.

All other trademarks not listed here are the property of their respective owners.

Products that are registered as trademarks are not specially indicated in this documentation. Existing property rights (patents, trademarks, protection of utility models) are to be observed.

3 Safety notes

WARNING!

Risk of fatal injury if safety notes and residual risks are not observed!

Failure to observe the safety notes and residual risks in the drive controller documentation may result in accidents causing serious injury or death.

- Observe the safety notes in the drive controller documentation.
 - Consider the residual risks in the risk assessment for the machine or system.
-

WARNING!

Malfunction of the machine due to incorrect or modified parameterization!

In the event of incorrect or modified parameterization, malfunctions can occur on machines or systems which can lead to serious injuries or death.

- Observe the security notes in the drive controller documentation.
 - Protect the parameterization, e.g. from unauthorized access.
 - Take appropriate measures for possible malfunctions (e.g. emergency off or emergency stop).
-

4 What you should know before commissioning

The following chapters provide a quick introduction to the structure of the program interface and accompanying window designations as well as relevant information about parameters and generally saving your project configuration.

4.1 DS6 program interface

Using the graphical interface of the DriveControlSuite commissioning software (DS6), you can project, parameterize and commission your drive project quickly and efficiently. In case of service, you can evaluate diagnostic information such as operating states, fault memories and fault counters of your drive project using DriveControlSuite.

Information

The program interface of DriveControlSuite is available in German, English and French. To change the language of the program interface, select **Settings > Language**.

Information

The DriveControlSuite help in the menu bar can be reached via **Help > Help for DS6** or via the [F1] key on your keyboard. When you press [F1] in an area of the program, the corresponding help topic opens.

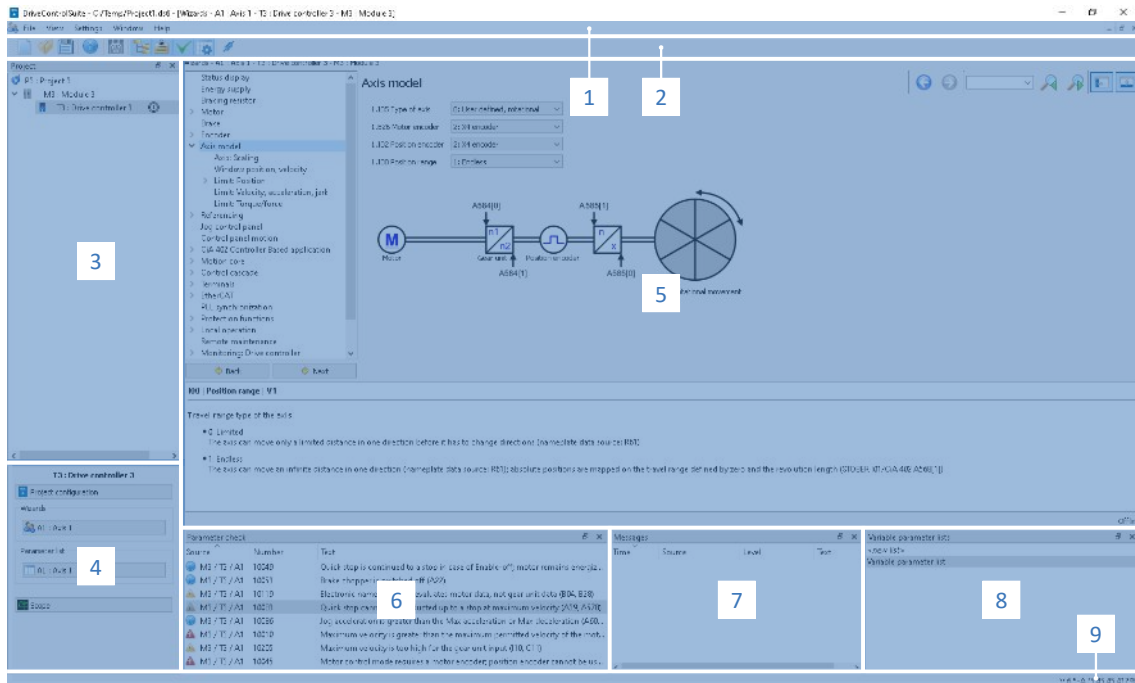


Fig. 1: DS6: Program interface





No.	Area	Description
1	Menu bar	Using the File, View, Settings and Window menus, you can open and save projects, display and hide program windows, select the interface language and access level and change between different windows in the workspace.
2	Toolbar	The toolbar enables quick access to frequently needed functions, like opening and saving projects and hiding and displaying windows in the program interface.
3	Project tree	The project tree forms the structure of your drive project in the form of modules and drive controllers. Select an element using the project tree first in order to edit it using the project menu.
4	Project menu	The project menu offers you various functions for editing the project, module and drive controller. The project menu adapts to the element that you selected in the project tree.
5	Workspace	The different windows which can be used to edit your drive project, such as the configuration dialog, wizards, the parameter list or the scope analysis tool, open in the workspace.
6	Parameter check	The parameter check points out irregularities and inconsistencies that were detected in the plausibility check of calculable parameters.
7	Messages	The entries in the messages log the connection and communication status of the drive controllers, incorrect inputs caught by the system, errors when opening a project or rule violations in the graphical programming.
8	Variable parameter lists	You can use variable parameter lists to compile any parameters in individual parameter lists for a quick overview.
9	Status bar	In the status bar, you can find the specifications of the software version and get additional information about the project file, the devices and the progress of the process during processes such as loading projects.

4.1.1 Configuring the view

In DriveControlSuite, you can change the visibility and arrangement of areas and windows, such as to optimize the available space in the workspace when working with smaller screens.

Showing/hiding areas

Use the icons in the toolbar or the items in the **View** menu to show or hide specific areas in DriveControlSuite as needed.

Icon	Item	Description
–	Reset	Resets the view to factory settings.
	Project	Shows/hides the Project window (project tree, project menu).
	Messages	Shows/hides the Messages window.
	Parameter check	Shows/hides the Parameter check window.
	Variable parameter lists	Shows/hides the Variable parameter lists window.

Arrange and group areas

You can undock and rearrange the individual areas via drag and drop. If you drag an undocked window to the edge of DriveControlSuite, you can release it there in a color-highlighted area either next to or on top of another window to redock it.

When you release the window onto another window, the two areas are merged into one window where you can use tabs to switch between the areas.

4.1.2 Navigation using sensitive circuit diagrams

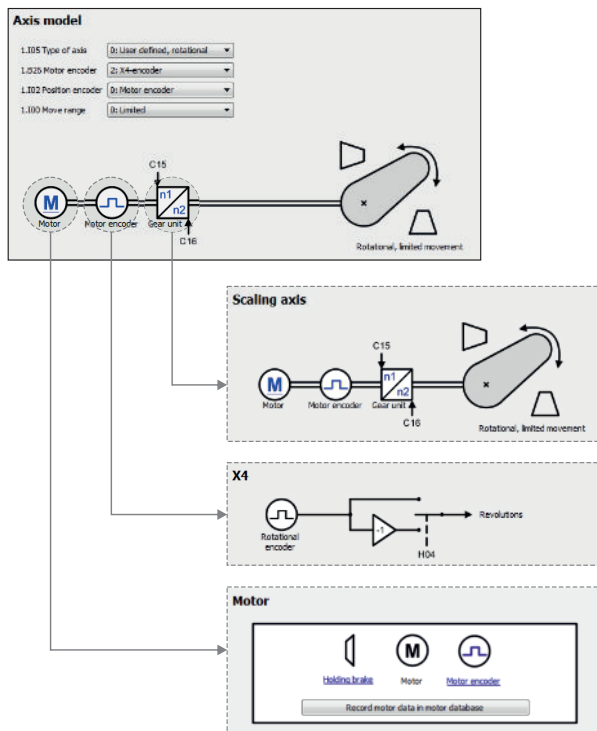


Fig. 2: DriveControlSuite: Navigation using text links and symbols

In order to graphically illustrate the processing sequence of actual and set values, the use of signals or the arrangement of drive components and to make configuring the accompanying parameters easier, they are displayed on the respective wizard pages of the workspace in the form of circuit diagrams.

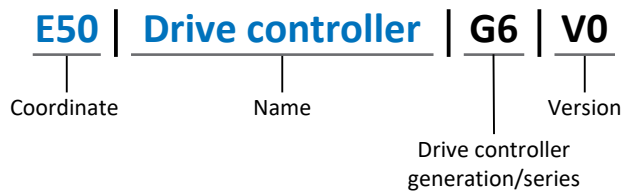
Blue text links or clickable icons indicate links within the program. These refer to the corresponding wizard pages and, as a result, allow you to reach additional helpful detail pages with a click.

4.2 Meaning of parameters

You can use parameters to adapt the function of the drive controller to your individual application. In addition, parameters visualize the current actual values (actual velocity, actual torque, etc.) and trigger actions such as Save values, Test phase, etc.

Interpretation of parameter identification

Parameter identification consists of the following elements, where short forms are also possible, i.e. only specifying a coordinate or the combination of coordinate and name.



4.2.1 Parameter groups

Parameters are assigned to individual groups by topic. The drive controllers differentiate between the following parameter groups.

Group	Topic
A	Drive controllers, communication, cycle times
B	Motor
C	Machine, velocity, torque/force, comparators
D	Set value
E	Display
F	Terminals, analog and digital inputs and outputs, brake
G	Technology – Part 1 (application-dependent)
H	Encoder
I	Motion (all motion settings)
J	Motion blocks
K	Control panel
L	Technology – Part 2 (application-dependent)
M	Profiles (application-dependent)
N	Additional functions (application-dependent; e.g. extended cam control unit)
P	Customer-specific parameters (programming)
Q	Customer-specific parameters, instance-dependent (programming)
R	Production data for the drive controller, motor, brakes, motor adapter, gearbox and geared motor
S	Safety (safety technology)
T	Scope
U	Protection functions
Z	Fault counter

Tab. 1: Parameter groups

4.2.2 Parameter types and data types

In addition to topic-based sorting in individual groups, all parameters belong to a certain data type and parameter type. The data type of a parameter is displayed in the parameter list, properties table. The connections between parameter types, data types and their value range can be found in the following table.

Data type	Parameter type	Length	Value range (decimal)
INT8	Integer or selection	1 byte (signed)	-128 – 127
INT16	Integer	2 bytes (1 word, signed)	-32768 – 32767
INT32	Integer or position	4 bytes (1 double word, signed)	-2 147 483 648 – 2 147 483 647
BOOL	Binary number	1 bit (internal: LSB in 1 byte)	0, 1
BYTE	Binary number	1 byte (unsigned)	0 – 255
WORD	Binary number	2 bytes (1 word, unsigned)	0 – 65535
DWORD	Binary number or parameter address	4 bytes (1 double word, unsigned)	0 – 4 294 967 295
REAL32 (single type according to IEE754)	Floating-point number	4 bytes (1 double word, signed)	$-3.40282 \times 10^{38} - 3.40282 \times 10^{38}$
STR8	Text	8 characters	—
STR16	Text	16 characters	—
STR80	Text	80 characters	—

Tab. 2: Parameters: Data types, parameter types, possible values

Parameter types: Use

- Integer, floating-point number
For general computing processes
Example: Set and actual values
- Selection
Numeric value to which a direct meaning is assigned
Example: Sources for signals or set values
- Binary number
Bit-oriented parameter information that is collected in binary
Example: Control and status words
- Position
Integer combined with associated units and decimal places
Example: Actual and set values of positions
- Velocity, acceleration, deceleration, jerk
Floating-point number combined with associated units
Example: Actual and set values for velocity, acceleration, deceleration, jerk
- Parameter address
Referencing of a parameter
Example: In F40 AO1 source, for example, E08 n-motor filtered can be parameterized
- Text
Outputs or messages

4.2.3 Parameter types

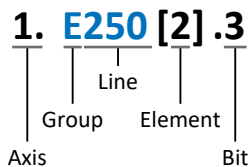
The following types of parameters are differentiated.

Parameter type	Description	Example
Simple parameters	Consist of one group and one line with a defined value.	A21 Brake resistor R: Value = 100 ohms
Array parameters	Consist of a group, a line and multiple sequential (listed) elements, which have the same properties but different values.	A10 Access level <ul style="list-style-type: none"> ▪ A10[0] access level: Value = Access level via operating unit ▪ A10[2] access level: Value = Access level via CANopen and EtherCAT ▪ A10[4] access level: Value = Access level via PROFINET
Record parameters	Consist of a group, a line and multiple sequential (listed) elements, which can have different properties and different values.	A00 Save values <ul style="list-style-type: none"> ▪ A00[0] Start: Value = Start action ▪ A00[1] Progress: Value = Display action progress ▪ A00[2] Result: Value = Display action result

Tab. 3: Parameter types

4.2.4 Parameter structure

Every parameter has specific coordinates with the following structure.



- Axis (optional)
In case of multiple axes, the one to which a parameter is assigned; not applicable for global parameters (value range: 1 – 4).
- Group
The thematic group to which a parameter belongs (value range: A – Z).
- Line
Distinguishes the parameters within a parameter group (value range: 0 – 999).
- Element (optional)
Elements of an array or record parameter (value range: 0 – 16000).
- Bit (optional)
Selection of a single bit for complete data addressing; depends on the data type (value range: 0 – 31).

4.2.5 Parameter visibility

The visibility of a parameter is controlled by the access level you set in DriveControlSuite and by the properties you project for the respective drive controller (e.g. hardware, firmware and application). A parameter can also be shown or hidden depending on other parameters or settings. For example, the parameters of an additional function are only shown as soon as you activate the relevant additional function.

Access level

The access options for the individual software parameters are ranked hierarchically and divided into individual levels. This means that parameters can be hidden for a specific purpose and, relatedly, their configuration options can be locked starting from a specific level.

Each parameter has one access level for read access (visibility) and one access level for write access (editability). The following levels are present:

- Level 0
Elementary parameters
- Level 1
Important parameters of an application
- Level 2
Important parameters for service with extensive diagnostic options
- Level 3
All parameters needed for commissioning and optimizing an application

The parameter A10 Access level controls general access to parameters:

- Over the drive controller display (A10[0])
- Over CANopen or EtherCAT (A10[2])
- Over PROFINET (A10[3])

Information

It is not possible to write to or read the parameter hidden in DriveControlSuite during communication via fieldbus.

Hardware

Which parameters are available to you in DriveControlSuite is determined by which series you select in the configuration dialog for the drive controller, for example, or whether you project an option module. Basically, the only parameters that are displayed are the ones you need to parameterize the configured hardware.

For example, a drive controller can evaluate an encoder using terminal X120, provided that a corresponding terminal module has been installed. The accompanying evaluation is activated using parameter H120. However, this parameter is visible only if the terminal module was initially selected during the drive project configuration.

Firmware

Due to the further development and updating of functions for the drive controllers, new parameters and also new versions of existing parameters are continuously being implemented in DriveControlSuite and in the firmware. The parameters are displayed in the software according to the DriveControlSuite version used and the configured firmware version of the respective drive controller.

Applications

Applications generally differ in terms of functions and their control. For this reason, different parameters are available with each application.

4.3 Signal sources

Drive controllers are controlled either by a fieldbus, by terminals or by mixed operation consisting of a fieldbus system and terminals. You can use the corresponding selection parameters, referred to as signal sources, to configure in DriveControlSuite whether the control signals and set values of the application are obtained over a fieldbus or using terminals.

In case of activation by using terminals, the respective analog or digital inputs are specified directly as the source. In case of activation by fieldbus, parameters are selected as sources for control signals and set values, which must be part of the process data mapping between the controller and drive controller so that the controller can write to them via fieldbus.

4.4 Non-volatile memory

All project configurations, parameterizations and related changes to parameter values are in effect after transmission to the drive controller, but are only stored in volatile memory.

Saving to a drive controller

To save the configuration in non-volatile memory on a drive controller, you have the following options:

- Saving the configuration using the *Save values wizard*:
Project menu > Wizards area > Projected axis > Save values wizard: Select the Save values action
- Saving the configuration using the parameter list:
Project menu > Parameter list area > Projected axis > Group A: Drive controller > A00 Save values: Set the parameter A00[0] to the value 1: Active
- Saving the configuration using the operating unit:
Drive controller with operating unit: Press the save button for 3 s

Saving to all drive controllers within a project

To save the configuration in non-volatile memory on several drive controllers, you have the following options:

- Saving the configuration using the toolbar:
Toolbar > Save values icon: Click the Save values icon
- Saving the configuration using the Online functions window:
Project menu > Online connection button > Online functions window: Click on Save values (A00)

Information

Do not shut off the drive controller while saving. If the supply voltage to the control unit is interrupted while saving, the drive controller will start without an executable configuration the next time it is switched on. To successfully complete the saving procedure, the configuration must be stored again on the drive controller and in non-volatile memory.

5 Commissioning

The following chapters describe how to commission your drive system using DriveControlSuite.

For the components of your axis model, **as an example**, we require a synchronous servo motor with EnDat 2.1/2.2 digital encoder and optional brake. These motors are saved along with all relevant data for the project configuration in the DriveControlSuite motor database and in the electronic nameplate.

Upon selecting the motor from the database, such as when reading out the nameplate, all data is transferred to the corresponding parameters. There is no need for complex parameterization of the motor, brake or encoder.

For asynchronous motors, the motor data relevant for project configuration is also taken from the motor database. All other motor types need to have their parameters configured manually.

Before you begin commissioning, make sure that the system nodes are hooked up and supplied with control voltage.

Information

Always perform the steps described below in the specified order!

Some parameters are interdependent and do not become accessible to you until you have first configured certain settings. Follow the steps in the specified sequence so that you can finish the parameterization completely.

5.1 Initiating the project

In order to be able to configure all drive controllers and axes of your drive system using DriveControlSuite, you must record them as part of a project.

5.1.1 Projecting the drive controller and axis

Create a new project and project the first drive controller along with the accompanying axis.

Information

Make sure that you project the correct series in the *Drive controller* tab. The projected series cannot be changed afterwards.

Creating a new project

1. Start DriveControlSuite.
2. On the start screen, click *Create new project*.
 - ⇒ The new project is created and the configuration dialog for the first drive controller opens.
 - ⇒ The *Drive controller* button is active.

Projecting the drive controller

1. **Properties tab:**
Establish the relationship between your circuit diagram and the drive controller to be projected in DriveControlSuite.
 - 1.1. **Reference:**
Define the reference code (equipment code) of the drive controller.
 - 1.2. **Designation:**
Give the drive controller a unique name.
 - 1.3. **Version:**
Version your project configuration.
 - 1.4. **Description:**
If necessary, save additional supporting information (e.g., the change history).
2. **Drive controller tab:**
Select the series and device type of the drive controller.
3. **Option modules tab:**
Project the option modules of the drive controller.
 - 3.1. **Communication module:**
If you control the drive controller via a fieldbus, select the corresponding communication module.
 - 3.2. **Terminal module:**
If you are controlling the drive controller via analog and digital inputs, select the corresponding terminal module.
 - 3.3. **Safety module:**
If the drive controller is part of a safety circuit, select the corresponding safety module.
4. **Device control tab:**
Project the basic control of the drive controller.
 - 4.1. **Device control:**
Select device control *Drive Based*.
 - 4.2. **Rx process data, Tx process data:**
If you use a fieldbus to control the drive controller, select the corresponding receive and transmit process data.

Projecting the axis

1. Click Axis 1.
2. Properties tab:
Establish the relationship between your circuit diagram and the axis to be projected in DriveControlSuite.
 - 2.1. Reference:
Define the reference code (equipment code) of the axis.
 - 2.2. Designation:
Give the axis a unique name.
 - 2.3. Version:
Version your project configuration.
 - 2.4. Description:
If necessary, save additional supporting information (e.g., the change history).
3. Application tab:
Select the Drive Based Center Winder application.
4. Motor tab:
Select the type of motor you operate with this axis. If you are working with motors from third-party suppliers, enter the accompanying motor data later.
5. Confirm with OK.

5.1.2 Configuring safety technology

If the drive controller is part of a safety circuit, you must configure the safety technology in accordance with the commissioning steps outlined in the corresponding manual in the next step (see [Detailed information \[► 164\]](#)).

5.1.3 Creating other drive controllers and modules

In DriveControlSuite, all drive controllers within a project are grouped using modules. If you add a new drive controller to your project, be sure to always assign it to an existing module. Group drive controllers in a module if, for example, they are located in the same control cabinet or work together to operate the same machine part.

Creating a drive controller

1. In the project tree, select your project P1 > module M1 > context menu Create new drive controller.
⇒ The drive controller is created in the project tree and the configuration dialog opens.
2. Project the drive controller as described in [Projecting the drive controller and axis \[► 21\]](#).
3. Repeat the steps for all other drive controllers that you want to project.

Creating a module

1. In the project tree, select your project P1 > context menu Create new module.
⇒ The module is created in the project tree.
2. Project the module as described in [Projecting the module \[► 23\]](#).
3. Repeat the steps for all other modules that you want to project.

5.1.4 Projecting the module

Give your module a unique name, enter the reference code and, as an option, store additional information like the version and change history of the module.

1. Select the module in the project tree and click on **Project configuration** in the project menu.
 - ⇒ The configuration dialog for the module opens.
2. Establish the relationship between your circuit diagram and the module in DriveControlSuite.
 - 2.1. **Reference:**
Define the reference code (equipment code) of the module.
 - 2.2. **Designation:**
Give the module a unique name.
 - 2.3. **Version:**
Version the module.
 - 2.4. **Description:**
If necessary, save additional supporting information (e.g., the change history).
3. Confirm with **OK**.

5.1.5 Projecting the project

Give your project a unique name, enter the reference code and, as an option, store additional information like the version and change history of the project.

1. Select the project in the project tree and click on **Project configuration** in the project menu.
 - ⇒ The configuration dialog for the project opens.
2. Establish the relationship between your circuit diagram and the project in DriveControlSuite.
 - 2.1. **Reference:**
Define the reference code (equipment code) of the project.
 - 2.2. **Designation:**
Give the project a unique name.
 - 2.3. **Version:**
Version the project.
 - 2.4. **Description:**
If necessary, save additional supporting information (e.g., the change history).
3. Confirm with **OK**.

5.2 Mapping the mechanical axis model

To be able to put your real drive train with one or more drive controllers into operation, you must map your complete mechanical environment in DriveControlSuite.

The 6th generation of STÖBER drive controllers are specially developed for communication between the drive controller and controller on the basis of the actual variables at the output (° of real axis movement). The scaling of the axis model is calculated by the drive controller's firmware independently of the encoder model, without any rounding errors or drift.

5.2.1 Parameterizing the motor

You have projected a synchronous servo motor with EnDat 2.1/2.2 digital encoder and optional brake.

By projecting the corresponding motor, limiting values for currents and torques as well as associated temperature data are automatically transferred to the respective parameters of the individual wizards. All additional data on the brake and encoder is transferred at the same time.

Motor protection

The drive controller has an i^2t model of the motor, a computational model for thermal monitoring of the motor. To activate it and set up the protective function, configure the following settings (deviating from the presets): U10 = 2: Warning and U11 = 1.00 s. This model can be used instead of or in addition to motor temperature monitoring.

5.2.2 Parameterizing the axis model

Parameterize the setup of your drive in this order:

- Define the axis model
- Scale the axis
- Parameterize the position and velocity window
- Limit the axis (optional)
 - Limit the position
 - Limit the velocity, acceleration and jerk
 - Limit the torque and force

5.2.2.1 Defining the axis model

1. Select the relevant drive controller in the project tree and click on the desired projected axis in the Project menu > Wizard area.
2. Select the Axis model wizard.
3. B26 Motor encoder:
Define the interface to which the motor encoder is connected.
4. I02 Position encoder (optional):
Define the interface to which the position encoder is connected.

Information

For Drive Based Center Winder applications, the axis type and travel range are preset by the application and cannot be changed subsequently (axis type: I05 = 2: Rotational; travel range: I00 = 1: Endless; revolution length: I01 = 360 °).

Information

If you do not parameterize it differently for I02 Position encoder, B26 Motor encoder is used for position control as standard.

5.2.2.2 Scaling the axis

1. Select the relevant drive controller in the project tree and click on the desired projected axis in the Project menu > Wizard area.
2. Select the Axis model wizard > Axis: Scaling.
3. Scale the axis by configuring the overall gear ratio between the motor and output.
To simplify this scaling for you, you are provided with the scaling calculator *Conversion of positions, velocities, accelerations, torque/force*, which calculates the effects of changed motion variables on the entire system.
4. I01 Circular length:
If you have selected 1: Endless = I00 Position range, define the revolution length.
5. I03 Axis polarity:
Use the polarity to define the direction of interpretation between the axis movement and motor movement.

Information

For Drive Based Center Winder applications, the axis type and travel range are preset by the application and cannot be changed subsequently (axis type: I05 = 2: Rotational; travel range: I00 = 1: Endless; revolution length: I01 = 360 °).

5.2.2.3 Parameterizing the velocity window

Specify velocity zones for set values by parameterizing a boundary value for reaching a velocity.

1. Select the Axis model wizard > Window position, velocity.
2. C40 Velocity window:
Parameterize a tolerance window for velocity tests.

5.2.2.4 Limiting the axis

As an option, you can limit the maximum permitted motion variables of position, velocity, acceleration, jerk and torque/force according to your application.

Information

To simplify the scaling and limiting of the axis, the Axis model wizard > Axis: Scaling provides you with the **Conversion of position, velocities, accelerations, torque/force** scaling calculator, which calculates the effects of changed motion variables on the entire system. You can use the scaling calculator to enter values for motion variables of the motor, gearbox output and axis in order to convert the values to all other locations in the axis model.

Limiting the position

To secure the travel range of the axis, you have the option to limit the permitted positions using hardware limit switches.

1. Select the relevant drive controller in the project tree and click on the desired projected axis in the Project menu > Wizard area.
2. Select the Axis model wizard > Limit: Position.
3. I101 Source positive /limit switch, I102 Source negative /limit switch:
To limit the travel range of the axis in the positive or negative direction of motion via hardware limit switches, select the source of the digital signal that is used to evaluate a limit switch at the positive or negative end of the travel range.
 - 3.1. If a fieldbus is the source, select 2: Parameter.
 - 3.2. If a digital input (direct or inverted) acts as the source, select the corresponding input.

Limiting velocity, acceleration, jerk

As an option, you can limit the motion variables of velocity, acceleration and jerk and define the quick stop deceleration according to your application. The default values are designed for slow velocities without gearboxes.

1. Select the Motor wizard.
2. B83 v-max motor:
Determine the maximum permitted velocity of the motor.
3. Select the Axis model wizard > Axis: Scaling.
4. Conversion of positions, velocities, accelerations, torque/force area:
Use the scaling calculator to determine the maximum permitted velocity of the output using the maximum permitted velocity of the motor.
5. Select the Axis model wizard > Limit: Velocity, acceleration, jerk.
6. I10 Maximal speed:
Define the maximum permitted velocity for the output.
7. I11 Maximal acceleration:
Define the maximum permitted acceleration for the output.
8. I16 Maximal jerk:
Define the maximum permitted jerk for the output.
9. I17 Quickstop deceleration:
Define the desired quick stop deceleration for the output.

Limiting the torque/force

As an option, you can limit the torque/force according to your application. The default values take into account the rated operation together with the overload reserves.

1. Select the *Axis model wizard* > *Limit: Torque/force*.
2. C03 Maximum positive torque/force, C05 Maximum negative torque/force:
Define the maximum permitted set torque/maximum permitted set force.
3. C08 Maximum torque/force for quick stop:
Define the maximum permitted set torque/maximum permitted set force in case of a quick stop and in case of drive-controlled emergency stop SS1, SS1 and SS2.

5.3 Referencing absolute position

When commissioning a system with position measurement systems, the relation of a measured to an actual axis position must be determined to be able to work with absolute positions.

If you are working with absolute positions, reference the axis now. Otherwise, proceed by parameterizing application-specific conditions and responses of the Drive Based device control.

5.3.1 Defining the referencing method

1. Select the relevant drive controller in the project tree and click on the desired projected axis in the Project menu > Wizard area.
2. Select the Referencing wizard.
3. I30 Referencing type, I31 Referencing direction, I35 Referencing with zero pulse:
Define the characteristics for referencing.
For information on possible combinations of the named characteristics as well as detailed descriptions of the individual referencing methods, see [Referencing methods](#) [▶ 125].
4. I43 Move to reference position:
If the axis is to automatically move to the referenced position after referencing, set this parameter to 1: Active.

5.3.2 Parameterizing the reference switch

If you are working with absolute positions and would like to determine a reference position while referencing using the reference switch, proceed as follows.

1. Select the Drive Based Center Winder application wizard > Data sources > Application digital signals: Data source.
2. I103 Source reference switch:
 - 2.1. If a digital input (direct or inverted) acts as the source, select the corresponding input.
 - 2.2. If bit 3 of the control word I210 of the application is the source, select 2: Parameter.

5.3.3 Setting the reference

If you are working with absolute positions and would like to reference without using a referencing run, the value of the current actual position is applied directly as a parameter value from I34 using the Set reference signal.

1. Select the Drive Based Center Winder application wizard > Data sources > Application digital signals: Data source.
2. I111 Source set reference:
 - 2.1. If a digital input (direct or inverted) acts as the source, select the corresponding input.
 - 2.2. If bit 11 of the control word I210 of the Drive Based Center Winder application is the signal source, select 2: Parameter.

5.4 Parameterizing Drive Based device control

The Drive Based device control describes the control sequence of a drive controller based on a state machine, i.e. a drive controller switches its state due to an event. Some of the conditions and responses coupled with the state transitions can be influenced depending on the application; for example, it is possible to define the end of a quick stop or enable signal delays tailored to the respective application case.

Detailed information on the device control and Drive Based device state machine can be found in the chapter [Drive Based device control](#) [▶ 152].

5.4.1 Parameterizing transition conditions

- ✓ You have projected a drive controller with the Drive Based device control.
- 1. Select the relevant drive controller in the project tree and click on the desired projected axis in the Project menu > Wizard area.
- 2. Select the Drive Based device control wizard.
- 3. A34 Auto start:
If the drive controller is to switch directly to the Operation enabled state after the Switch on disabled state, activate this parameter.
- 4. A43 Enable switch-on/off delay
If you need to hide possible fault or test pulses on the enable signal input, enter the maximum internal activation and deactivation delay.
- 5. A44 Quick stop at enable off:
If the drive is to be stopped with a quick stop in the event of a deactivated enable signal, activate this parameter.
- 6. A60 Source additional enable:
If you are working with multiple enable signals, define the source of additional signals in this parameter.
- 7. A29 Quick stop in case of fault:
If the drive is to be stopped with a quick stop—if possible—in case of a fault, activate this parameter. If the parameter is deactivated, motion of the axis is no longer controlled by the drive controller.
- 8. A39 Maximum quick stop duration for enable off:
If you have selected 1: Active for parameter A44, define the maximum time after which the power unit is switched off in A39.
- 9. A45 Quick stop end:
In this parameter, define whether a quick stop is considered ended when the drive is at a standstill or when the quick stop request is canceled.
- 10. A62 Source /quick stop:
Define how a quick stop is triggered in this parameter.
- 11. E48 Device control state:
Shows the current state of the drive controller.

5.5 Transmitting and saving a configuration

In order to transmit and save the configuration to one or more drive controllers, you must connect your PC and the drive controllers over the network.

WARNING!

Injury to persons and material damage due to axis movement!

If there is an online connection between DriveControlSuite and the drive controller, changes to the configuration can lead to unexpected axis movements.

- Only change the configuration if you have visual contact with the axis.
- Make sure that no people or objects are within the travel range.
- For access via remote maintenance, there must be a communication link between you and a person on site with eye contact to the axis.

Information

During the search, all drive controllers within the broadcast domain are found via IPv4 limited broadcast.

Requirements for finding a drive controller in the network:

- Network supports IPv4 limited broadcast
- All drive controllers and the PC are in the same subnet (broadcast domain)

5.5.1 Transmitting the configuration

The steps for transmitting the configuration vary depending on the safety technology.

Drive controller without SE6 option (advanced safety technology)

- ✓ The drive controllers are switched on and can be found in the network.
1. In the project tree, select the module under which you have recorded your drive controller and click **Online connection** in the project menu.
 - ⇒ The **Add connection** dialog box opens. All drive controllers found via IPv4 limited broadcast are displayed.
 2. **Direct connection** tab, **IP address** column:
Activate the IP addresses in question and confirm your selection with **OK**.
 - ⇒ The **Online functions** window opens. All drive controllers connected through the selected IP addresses are displayed.
 3. Select the module and the drive controller to which you would like to transfer the configuration. Change the selection of transmission type from **Read** to **Send**.
 4. Change the selection **Create new drive controller**:
Select the configuration that you would like to transfer to the drive controller.
 5. Repeat steps 3 and 4 for all other drive controllers to which you would like to transfer your configuration.
 6. **Online** tab:
Click **Establish online connections**.
 - ⇒ The configurations are transferred to the drive controllers.

Drive controller with SE6 option (advanced safety technology)

- ✓ The drive controllers are switched on and can be found in the network.
- 1. In the project tree, select the module under which you have recorded your drive controller and click **Online connection** in the project menu.
 - ⇒ The **Add connection** dialog box opens. All drive controllers found via IPv4 limited broadcast are displayed.
- 2. **Direct connection** tab, IP address column:
Activate the IP addresses in question and confirm your selection with **OK**.
 - ⇒ The **Online functions** window opens. All drive controllers connected through the selected IP addresses are displayed.
- 3. Select the module and the drive controller to which you would like to transfer the configuration. Change the selection of transmission type from **Read** to **Send**.
- 4. Change the selection **Create new drive controller**:
Select the configuration that you would like to transfer to the drive controller.
- 5. Repeat steps 3 and 4 for all other drive controllers to which you would like to transfer your configuration.
- 6. **Online** tab:
Click **Establish online connections**.
 - ⇒ The configurations are transferred to the drive controllers.
 - ⇒ The **PASmotion Safety Configurator** configuration tool opens.
- 1. In the project administration, navigate from **PASmotion Safety Configurator** to the safety module for the drive controller and double-click to open it.
 - ⇒ The wizard for device synchronization opens.
 - ⇒ The project configuration and device configuration are checked against each other.
- 2. If the configurations match, click **Done** after device synchronization has finished.
- 3. Optional: If the configurations do not match, click **Next** after device synchronization has finished.
 - 3.1. Confirm the serial number of the safety module and click **Next**.
 - 3.2. Enter the password for the configuration on the safety module and click **Next**.
 - 3.3. Click **Download**.
 - ⇒ The project configuration is transferred to the safety module.
 - 3.4. After the successful transfer, click **Done**.
- 4. **Home page, CRC safety configuration**:
Document the checksum of the safety functions in the machine documentation.
- 5. Repeat the steps for each additional safety module in your project.
- 6. Exit **PASmotion Safety Configurator**.
 - ⇒ Transfer of the configuration is completed.

Information

If you do not know the password for the configuration on the safety module and would like to send a new safety configuration, you can delete the safety configuration on the safety module in **DriveControlSuite** using parameter **S33**.

5.5.2 Saving the configuration

- ✓ You have successfully transferred the configuration.
- 1. Online functions window, Online tab, Actions for drive controller in online operation area:
Click Save values (A00).
 - ⇒ The Save values (A00) window opens.
- 2. Select on which drive controllers you want to save the configuration.
- 3. Click Start action.
 - ⇒ The configuration is stored on the drive controllers in non-volatile memory.
- 4. Close the Save values (A00) window.

Information

For the configuration to take effect on the drive controller, a restart may be required in certain cases, such as after the configuration is saved on the drive controller for the first time or when changes are made to the firmware or process data mapping.

Restarting a drive controller

- ✓ You have stored the configuration on the drive controller in non-volatile memory.
- 1. Online functions window, Online tab:
Click Restart (A09).
 - ⇒ The Restart (A09) window opens.
- 2. Select which of the connected drive controllers you want to restart.
- 3. Click Start action.
- 4. Confirm the safety note with OK.
 - ⇒ The Restart (A09) window closes.
- ⇒ The fieldbus communication and connection between DriveControlSuite and drive controllers are interrupted.
- ⇒ The selected drive controllers restart.

5.6 Testing the configuration

After you have transferred the configuration to the drive controller, first check your projected axis model and the parameterized electrical and mechanical data for plausibility before continuing with the parameterization.

You can test the configuration quickly and easily via DriveControlSuite or, as an alternative, directly via the operating unit of the drive controller.

5.6.1 Testing jog mode

Jog control panel provides various commands for jog mode which you can use to test the configuration of your projected axis model for plausibility.

Information

Make sure that the values of the control panel are compatible with your projected axis model in order to obtain useful test results that you can use to optimize your configuration for the respective axis.

The scaling calculator is available under the [Axis model wizard](#) > [Axis: Scaling](#) to recalculate the values for the control panel according to your projected axis model.

WARNING!

Injury to persons and material damage due to axis movement!

When you activate the control panel, DriveControlSuite gives you sole control of the motions of the axis. If you are using a controller, it no longer monitors the axis movements after the control panel is activated. The controller cannot intervene to prevent collisions. The controller takes over control again when the control panel is deactivated, which can cause unexpected axis movements.

- Do not switch to other windows when the control panel is active.
- Only use the control panel if you have visual contact with the axis.
- Make sure that no people or objects are within the travel range.
- For access via remote maintenance, there must be a communication link between you and a person on site with eye contact to the axis.

Testing the configuration using the jog control panel

- ✓ There is an online connection between DriveControlSuite and the drive controller.
 - ✓ You have successfully stored the configuration on the drive controller.
 - ✓ No safety function is active.
1. Select the relevant drive controller in the project tree and click on the desired projected axis in the Project menu > Wizard area.
 2. Select the Jog control panel wizard.
 3. Click Control panel on and then Enable.
 - ⇒ The axis is monitored via the active control panel.
 4. Check the default values of the control panel and adjust them to your projected axis model if necessary.
 5. To test the configuration of your projected axis for direction of motion, velocity, etc., move the axis gradually using the Jog+, Jog-, Jog step+ and Jog step- buttons.
 6. Use your test results to optimize your configuration as necessary.
 7. To deactivate the control panel, click on Control panel off.

Information

Jog+ and Jog- cause a continual manual movement in the positive or negative direction. Jog step+ and Jog step- move the axis relative to the current actual position by the increment specified in I14.

Jog+ and Jog- have a higher priority than Jog step+ and Jog step-.

5.6.2 Testing the motion commands

Control panel motion provides a standard set of motion commands which you can use to test the basic movements of your axis. The command set is based on the PLCopen standard and supplemented by manufacturer-specific motion commands.

If you are working with absolute position measuring systems and need the MC_MoveAbsolute motion command for testing, you must reference an absolute position in advance (see [Referencing absolute position \[► 28\]](#)).

Information

Make sure that the values of the control panel are compatible with your projected axis model in order to obtain useful test results that you can use to optimize your configuration for the respective axis.

The scaling calculator is available under the *Axis model wizard > Axis: Scaling* to recalculate the values for the control panel according to your projected axis model.

WARNING!

Injury to persons and material damage due to axis movement!

When you activate the control panel, DriveControlSuite gives you sole control of the motions of the axis. If you are using a controller, it no longer monitors the axis movements after the control panel is activated. The controller cannot intervene to prevent collisions. The controller takes over control again when the control panel is deactivated, which can cause unexpected axis movements.

- Do not switch to other windows when the control panel is active.
- Only use the control panel if you have visual contact with the axis.
- Make sure that no people or objects are within the travel range.
- For access via remote maintenance, there must be a communication link between you and a person on site with eye contact to the axis.

Testing the configuration using the motion control panel

- ✓ There is an online connection between DriveControlSuite and the drive controller.
 - ✓ You have successfully stored the configuration on the drive controller.
 - ✓ No safety function is active.
1. Select the relevant drive controller in the project tree and click on the desired projected axis in the Project menu > Wizard area.
 2. Select the Control panel motion wizard.
 3. Click Control panel on and then Enable.
 - ⇒ The axis is monitored via the active control panel.
 4. Check the default values of the control panel and adjust them to your projected axis model if necessary.
 5. K402 Command:
 - Select the desired command and define the position, velocity, acceleration, deceleration and jerk.
 6. Execute the command by clicking Start.
 7. To test the configuration of your projected axis for direction of motion, velocity, etc., move the axis precisely using the individual commands.
 8. Use your test results to optimize your configuration as necessary.
 9. To deactivate the control panel, click on Control panel off.

5.7 Parameterizing the Drive Based Center Winder application

The Drive Based Center Winder application provides two operating modes: center winder operating mode and command operating mode.

Center winder operating mode concentrates on the 30: MC_Winder motion command, which is essential for winding. Command operating mode additionally provides you with a standard set of motion commands based on PLCopen, which is supplemented by your own motion commands. The operating mode that is best suited to your application depends on your application case. If you are coordinating motion sequences using a controller and need different motion commands, use the command operating mode. If you are not using a controller or only need the motion command for winding, select the center winder operating mode.

The general motion variables are grouped in the mode-independent Data sources wizard. Depending on the operating mode, unique wizards are also available which you can use to parameterize operating mode-specific motion variables. The general or operating mode-specific motion variables you need to parameterize depend on your drive project.

If you would like to use set values from external sources for your project, parameterize them in the first step. Then, continue with the operating mode-specific motion variables in the respective wizards.

5.7.1 General motion variables and signal sources

First, parameterize the general motion variables and signal sources before you begin parameterization of the operating mode-specific motion variables. The motion variables that you need to parameterize depend on your drive project.

5.7.1.1 Velocity – Parameterizing sources

If you are obtaining the set value for velocity from external sources for applications of the Drive Based Center Winder type, enter this as described below.

If you transmit data via fieldbus, the set value can either be obtained directly from an internal parameter or indirectly by reading out a parameter (such as with PID controllers).

Set velocity – Parameterizing the source

If you are obtaining the set value for velocity from an external source, enter the source for the main set value.

✓ Use the motion command MC_MoveSpeed or MC_MoveVelocity.

1. Select the Drive Based Center Winder application wizard > Data sources > External velocity: Data source.
2. G461 Source external velocity:
 - 2.1. If an analog input acts as the source, select the corresponding input.
 - 2.2. If you are transmitting data via fieldbus and would like to configure the value as the general data source, select 4: Parameter G460.
 - 2.3. If the set value is read out indirectly via a parameter, select 5: Indirect read parameter G811.
3. G460 External velocity:

If you have selected 4: Parameter G460 for G461, enter the set velocity here.
4. G811 Indirect read external velocity:

If you have selected 5: Indirect read parameter G811 for G461, enter the associated parameter coordinate here.

Additional velocity – Parameterizing the source

If you also want to regulate the set velocity, enter the source for the additional set value.

- ✓ Use the motion command MC_MoveSpeed or MC_MoveVelocity.
 - ✓ You obtain the set velocity from an external source.
1. Select the Drive Based Center Winder application wizard > Data sources > External additional velocity: Data source.
 2. G464 Source external additional velocity:
 - 2.1. If an analog input acts as the source, select the corresponding input.
 - 2.2. If you are transmitting data via fieldbus and would like to configure the value as the general data source, select 4: Parameter G463.
 - 2.3. If the set value is read out indirectly via a parameter, select 5: Indirect read parameter G812.
 3. G463 External additional velocity:

If you have selected 4: Parameter G463 for G464, enter the set velocity here.
 4. G812 Indirect read additional external velocity:

If you have selected 5: Indirect read parameter G812 for G463, enter the parameter coordinate here.

5.7.1.2 Velocity override – Parameterizing the source

If you would like to use a velocity override to scale the velocity profile of your motion commands, enter the source for the velocity override.

If you transmit data via fieldbus, the set value can either be obtained directly from an internal parameter or indirectly by reading out a parameter (such as with PID controllers).

1. Select the Drive Based Center Winder application wizard > Data sources > Velocity override: Data source.
2. G467 Source velocity override:
 - 2.1. If an analog input acts as the source, select the corresponding input.
 - 2.2. If you are transmitting data via fieldbus and would like to configure the value as the general data source, select 4: Parameter G466.
 - 2.3. If the set value is read out indirectly via a parameter, select 5: Indirect read parameter G813.
3. G466 Velocity override:

If you have selected 4: Parameter G466 for G467, enter the set velocity here.
4. G813 Indirect read velocity override:

If you have selected 5: Indirect read parameter G813 for G467, enter the parameter coordinate here.

5.7.1.3 Torque/Force – Parameterizing sources

If you have selected the motion command MC_TorqueControl for Drive Based Center Winder type applications and obtain set values from external sources, enter the sources for the set torque/force and velocity bracketing.

If you transmit data via fieldbus, the set value can either be obtained directly from an internal parameter or indirectly by reading out a parameter (such as with PID controllers).

Set torque/force – Parameterizing the source

If you obtain the set value for torque/force from an external source, enter the source for the set torque/force.

✓ You are using the 9: MC_TorqueControl motion command.

1. Select the Drive Based Center Winder application wizard > Data sources > Set torque/force, velocity bracketing: Data source.
2. G470 Source torque/force reference:
 - 2.1. If an analog input acts as the source, select the corresponding input.
 - 2.2. If you are transmitting data via fieldbus and would like to configure the value as the general data source, select 4: Parameter G469.
 - 2.3. If the set value is read out indirectly via a parameter, select 5: Indirect read parameter G814.
3. G469 Torque/Force reference:

If you have selected 4: Parameter G469 for G470, define the value for set torque/force here. The value relates to C03 Maximum positive torque/force and C05 Maximum negative torque/force.
4. G814 Indirect read torque/force reference:

If you have selected 5: Indirect read parameter G814 for G470, define the associated parameter coordinate here.
5. G500 Torque/force ramp removal, G501 Torque/force ramp removal:

Define the ramps for the build-up or reduction of torque/force.

Velocity bracketing – Parameterizing the source

If you obtain values for limiting the velocity from an external source, enter the source for the velocity bracketing.

- ✓ You are using the 9: MC_TorqueControl motion command.
- 1. Select the Drive Based Center Winder application wizard > Data sources > Set torque/force, velocity bracketing: Data source.
- 2. G473 Source velocity bracketing positiv:
 - 2.1. If an analog input acts as the source, select the corresponding input.
 - 2.2. If you are transmitting data via fieldbus, select 4: Parameter G472.
- 3. G472 Velocity bracketing positiv:

If you have selected 4: Parameter G472 for G473, define the maximum limit that you want to permit for your mechanical system.
- 4. G476 Source velocity bracketing negative:
 - 4.1. If an analog input acts as the source, select the corresponding input.
 - 4.2. If you are transmitting data via fieldbus, select 4: Parameter G475.
- 5. G475 Velocity bracketing negative:

If you have selected 4: Parameter G475 for G476, define the maximum limit that you want to permit for your mechanical system here.

Information

If you define the velocity bracketing using G472 or G475, you should allow the control enough room. Therefore, select a value for the velocity bracketing that is greater than 1%. Values less than 1% are internally set to 1% and values greater than 100% are internally set to 100%. G472 and G475 refer to I10 Maximal speed.

5.7.1.4 Parameterizing analog inputs

If the analog inputs serve as a source for the application in your drive project, parameterize the respective analog input as described below.

For more information and continuous function charts for analog inputs AI1 – AI3, see [Analog inputs \[► 91\]](#).

Information

In the Drive Based Center Winder application, you can specify the winding diameter, actual material velocity, set material velocity and set material tensile force via the analog inputs of the drive controller when using the 30: MC_Winder motion command. The scaled values of analog inputs AI1, AI2 and AI3 are displayed in parameters G270, G271 and G272 in the respective wizard.

If an analog input serves as a source for the **winding diameter**, 0% at the analog input corresponds to 0 mm and 100% corresponds to the maximum permitted winding diameter (parameter: L04).

If an analog input serves as a source for the **material velocity**, 0% at the analog input corresponds to 0 mm/s and 100% corresponds to the maximum permitted material velocity (parameter: L410). Negative values are also possible for the set material velocity at the analog input: –100% corresponds to the negative value of the maximum permitted material velocity.

If an analog input serves as a source for the **set material tensile force**, 0% at the analog input corresponds to 0 N and 100% corresponds to the scaling for the set material tensile force (parameter: L497).

5.7.1.4.1 Parameterizing analog input AI1

Parameterize the analog input as a voltage source by defining a time constant for the associated filter and calibrating using the maximum positive, maximum negative and 0 V voltage. After that, you can scale the analog input as needed.

If the analog input is the current source, calibrate using the maximum and minimum currents instead, and optionally enable wire break monitoring.

Parameterizing analog input AI1

1. Select the **Terminals wizard** > **Analog input 1**.
2. **F13 AI1 lowpass filter:**
If the quality of the signal requires it, adjust the time constant for the filter accordingly.
3. **F15 AI1 wire break monitoring:**
If you want to use analog input AI1 as a current source and enable wire break monitoring, select 1: Active.
4. **F116 AI1 operating mode:**
Select the operating mode of analog input AI1.
 - 4.1. If analog input AI1 is the voltage source, select 0: -10V to 10V.
 - 4.2. If analog input AI1 is the current source, select 1: 0 to 20mA or 2: 4 to 20mA.

Calibrating analog input AI1 (voltage source)

- ✓ Analog input AI1 is interpreted as a voltage source (F116 = 0: -10V to 10V).
1. Select the **Terminals wizard** > **Analog input 1** > **Analog input 1: Calibration**.
 2. Set the voltage source to the minimum voltage.
 - 2.1. **F112 AI1 maximum negative value:**
Apply the value from parameter E110[1] for parameter F112.
 - 2.2. **F114 AI1 maximum negative % value:**
Define the associated value for F112 in % in parameter F114.
 3. Set the voltage source to the maximum voltage.
 - 3.1. **F111 AI1 maximum positive value:**
Apply the value from parameter E110[1] for parameter F111.
 - 3.2. **F115 AI1 maximum positive % value:**
Define the associated value for F111 in % in parameter F115.
 4. Set the voltage source to 0 V voltage.
 - 4.1. **F110 AI1 zero point offset:**
Apply the value from parameter E110[1] for parameter F110.
 5. **F113 AI1 deadband:**
Optionally define a deadband to compensate for any noise of the 0 V voltage at the analog input.

Calibrating analog input AI1 (current source)

- ✓ Analog input AI1 is interpreted as a current source (F116 = 1: 0 to 20mA or 2: 4 to 20mA).
- 1. Select the **Terminals wizard** > **Analog input 1** > **Analog input 1: Calibration**.
- 2. Set the current source to the minimum current.
 - 2.1. F110 AI1 zero point offset:
Apply the value from parameter E110[1] for parameter F110.
 - 2.2. F114 AI1 maximum negative % value:
Define the associated value for F110 in % in parameter F114.
- 3. Set the current source to the maximum current.
 - 3.1. F111 AI1 maximum positive value:
Apply the value from parameter E110[1] for parameter F111.
 - 3.2. F115 AI1 maximum positive % value:
Define the associated value for F111 in % in parameter F115.

Scaling analog input AI1

- 1. Select the **Drive Based Center Winder application wizard** > **Analog inputs: Scaling** > **Analog input 1: Scaling**.
- 2. G260 AI1 scaling:
Select the scaling for the analog input.
 - 2.1. If you want to use the value unscaled, select 0: Without scaling.
 - 2.2. If you want to use the value unsigned, select 1: Absolute value.
 - 2.3. If you want to use the value inverted, select 2: Inverting.
 - 2.4. If you want to scale the value using a curve, select 3: X/Y characteristic.
⇒ Parameters G261 and G262 for scaling the analog input using a curve are displayed.
- 3. G261 AI1 X-value scaling, G262 AI1 Y-value scaling:
If you have selected 3: X/Y characteristic for G260, define the value pairs of the calibrated value and scaled value for the scaling of the analog input.
 - ⇒ The scaling of the analog input is completed.
 - ⇒ The scaled value of analog input AI1 is displayed in G270.

5.7.1.4.2 Parameterizing analog input AI2

Parameterize the analog input as a voltage source by defining a time constant for the associated filter and calibrating using the maximum positive, maximum negative and 0 V voltage. After that, you can scale the analog input as needed.

Parameterizing analog input AI2

1. Select the **Terminals wizard** > **Analog input 2**.
2. **F23 AI2 lowpass filter:**
If the quality of the signal requires it, adjust the time constant for the filter accordingly.

Calibrating analog input AI2

1. Select the **Terminals wizard** > **Analog input 2** > **Analog input 2: Calibration**.
2. Set the voltage source to the minimum voltage.
 - 2.1. **F122 AI2 maximum negative value:**
Apply the value from parameter E111[1] for parameter F122.
 - 2.2. **F124 AI2 maximum negative % value:**
Define the associated value for F122 in % in parameter F124.
3. Set the voltage source to the maximum voltage.
 - 3.1. **F121 AI2 maximum positive value:**
Apply the value from parameter E111[1] for parameter F121.
 - 3.2. **F125 AI2 maximum positive % value:**
Define the associated value for F121 in % in parameter F125.
4. Set the voltage source to 0 V voltage.
 - 4.1. **F120 AI2 zero point offset:**
Apply the value from parameter E111[1] for parameter F120.
5. **F123 AI2 deadband:**
Optionally define a deadband to compensate for any noise of the 0 V voltage at the analog input.

Scaling analog input AI2

1. Select the **Drive Based Center Winder application wizard** > **Analog inputs: Scaling** > **Analog input 2: Scaling**.
2. **G263 AI2 scaling:**
Select the scaling for the analog input.
 - 2.1. If you want to use the value unscaled, select 0: Without scaling.
 - 2.2. If you want to use the value unsigned, select 1: Absolute value.
 - 2.3. If you want to use the value inverted, select 2: Inverting.
 - 2.4. If you want to scale the value using a curve, select 3: X/Y characteristic.
⇒ Parameters G264 and G265 for scaling the analog input using a curve are displayed.
3. **G264 AI2 X scaling, G265 AI2 Y scaling:**
If you have selected 3: X/Y characteristic for G263, define the value pairs of the calibrated value and scaled value for the scaling of the analog input.
⇒ The scaling of the analog input is completed.
⇒ The scaled value of analog input AI2 is displayed in G271.

5.7.1.4.3 Parameterizing analog input AI3

Parameterize the analog input as a voltage source by defining a time constant for the associated filter and calibrating using the maximum positive, maximum negative and 0 V voltage. After that, you can scale the analog input as needed.

Parameterizing analog input AI3

1. Select the **Terminals wizard** > **Analog input 3**.
2. **F33 AI3 lowp. filter:**
If the quality of the signal requires it, adjust the time constant for the filter accordingly.

Calibrating analog input AI3

1. Select the **Terminals wizard** > **Analog input 3** > **Analog input 3: Calibration**.
2. Set the voltage source to the minimum voltage.
 - 2.1. **F132 AI3 maximum negative value:**
Apply the value from parameter E112[1] for parameter F132.
 - 2.2. **F134 AI3 maximum negative % value:**
Define the associated value for F132 in % in parameter F134.
3. Set the voltage source to the maximum voltage.
 - 3.1. **F131 AI3 maximum positive value:**
Apply the value from parameter E112[1] for parameter F131.
 - 3.2. **F135 AI3 maximum positive % value:**
Define the associated value for F131 in % in parameter F135.
4. Set the voltage source to 0 V voltage.
 - 4.1. **F130 AI3 zero point offset:**
Apply the value from parameter E112[1] for parameter F130.
5. **F133 AI3 deadband:**
Optionally define a deadband to compensate for any noise of the 0 V voltage at the analog input.

Scaling analog input AI3

1. Select the **Drive Based Center Winder application wizard** > **Analog inputs: Scaling** > **Analog input 3: Scaling**.
2. **G266 AI3 scaling:**
Select the scaling for the analog input.
 - 2.1. If you want to use the value unscaled, select 0: Without scaling.
 - 2.2. If you want to use the value unsigned, select 1: Absolute value.
 - 2.3. If you want to use the value inverted, select 2: Inverting.
 - 2.4. If you want to scale the value using a curve, select 3: X/Y characteristic.
⇒ Parameters G267 and G268 for scaling the analog input using a curve are displayed.
3. **G267 AI3 X-value scaling, G268 AI3 Y-value scaling:**
If you have selected 3: X/Y characteristic for G266, define the value pairs of the calibrated value and scaled value for the scaling of the analog input.
⇒ The scaling of the analog input is completed.
⇒ The scaled value of analog input AI3 is displayed in G272.

5.7.2 Parameterizing center winder operating mode

The following graphic shows the signal flows of center winder operating mode. The elements shown in a lighter shade are optional.

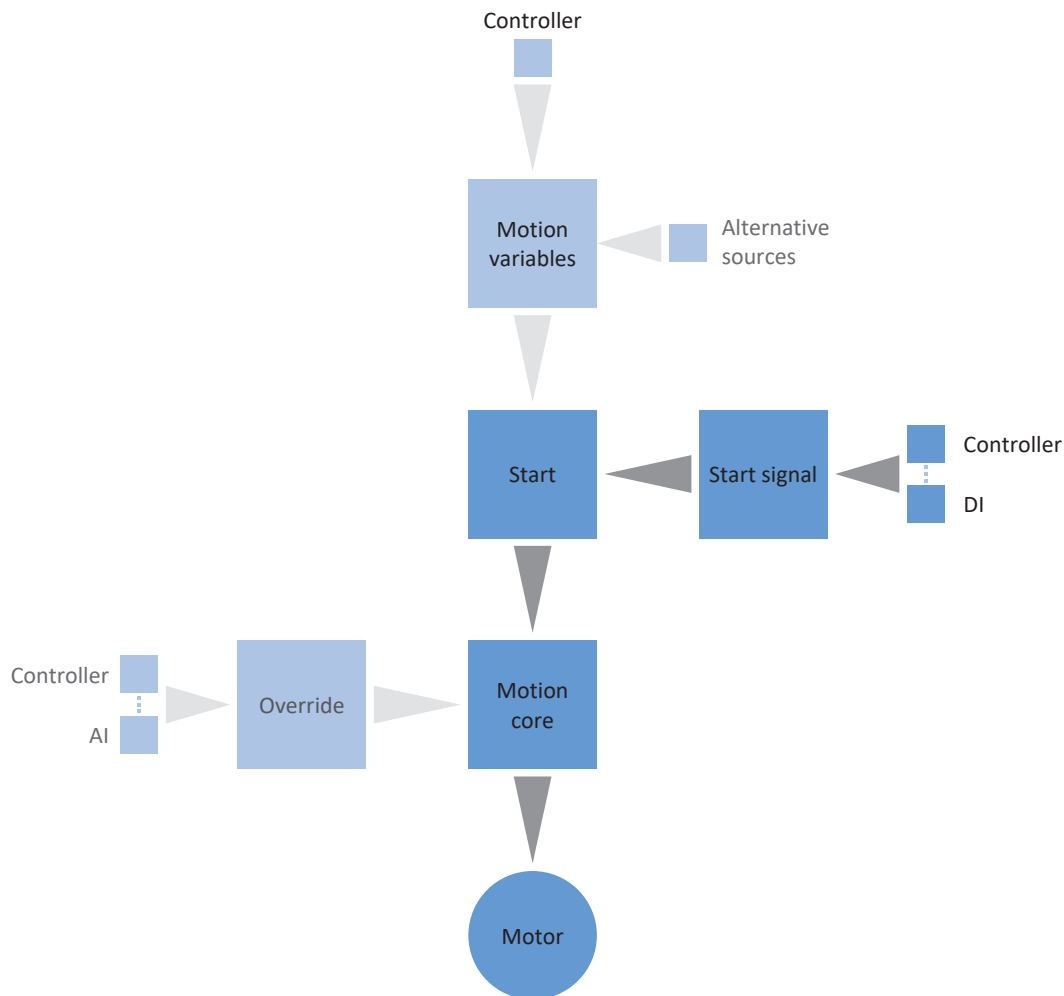


Fig. 3: Center winder operating mode: signal flows

In center winder operating mode, the 30: MC_Winder motion command is permanently stored on the drive controller with associated set values. This allows you to use set values for the material velocity and material tensile force for various winding applications, e.g. for winding, unwinding or rewinding materials such as plastic, wire, textiles or paper.

In center winder operating mode, drive controllers are either activated using a fieldbus or by a mixed operation of a fieldbus and terminals.

Proceed as follows ...

- Activate center winder operating mode.
- Select the desired winding method according to your application.
- Parameterize the source of the winding diameter (calculator or sensor).
- Compensate for the friction and, optionally, the mass inertia of the axis.
- Parameterize the required motion variables (material tensile force, material velocity, dancer position) according to the winding method.
- If necessary, parameterize the PID controller according to the winding method.
- As an option, parameterize the material length or material tear monitoring.

You can find more information on the winding methods of the Drive Based Center Winder application under [Winding methods](#) [▶ 104].

Information

The motion variables available for this operating mode that you configure in the software depend on your application case as well as on additional project-specific factors such as the use of a controller or the type of data transmission (fieldbus, terminals).

5.7.2.1 Activating center winder operating mode

1. Select the relevant drive controller in the project tree and click on the desired projected axis in the Project menu > Wizard area.
 2. Select the Drive Based Center Winder application wizard.
 3. Operating modes area:
Activate the option for center winder operating mode.
- ⇒ The associated wizards are available for parameterizing the operating mode.
- ⇒ The 30: MC_Winder motion command is selected in the background.

5.7.2.2 Selecting the winding method

Select the desired winding method for the center winder according to your application. Depending on the winding method, it may be necessary to parameterize different motion variables and possibly the PID controller.

You can find more information on the winding methods of the Drive Based Center Winder application under [Winding methods](#) [▶ 104].

1. Select the Drive Based Center Winder application wizard > Center winder.
2. L00 Center winder method:
Select the desired winding method for the center winder.
 - 2.1. If the material velocity is the focus of the application, select 0: Velocity control (open loop) or 5: Velocity control.
 - 2.2. If the material tensile force is the focus of the application, select 1: Tensile force control (open loop), 2: Tensile force control, torque correction or 3: Tensile force control, velocity correction.
 - 2.3. If you are working with a dancer, select 4: Dancer position control, velocity correction.
3. L10 Source center winder polarity:
Select the direction of interpretation between the winding direction and motor movement, i.e. the relationship between the signs of the set material velocity L420 and set velocity of the motor L102.
 - 3.1. If the signs of the set velocities are the same, select 0: Positive.
 - 3.2. If the signs of the set velocities are inverted, select 1: Negative.
 - 3.3. If the control word of the center winder is the source, select 2: Parameter L150.
 - 3.4. If a digital input (direct or inverted) acts as the source, select the corresponding input.

You can find more information on the winding direction under [Winding direction](#) [▶ 113].

5.7.2.3 Parameterizing the diameter source

Parameterize the source of the winding diameter based on whether a sensor serves as the source for the diameter in your drive project or whether the diameter is calculated by the drive controller. A sensor for the actual material velocity is required for the calculation of the winding diameter by the drive controller. First configure the general settings as described below, then parameterize either the diameter sensor or the diameter calculator, depending on the source.

You can find more information on the winding diameter under [Winding diameter \[► 111\]](#).

Parameterizing the diameter

Parameterize the minimum and maximum permitted winding diameters and optionally define the time constant for the filter of the winding diameter.

1. Select the Drive Based Center Winder application wizard > Center winder > Diameter.
2. L03 Minimal diameter:
Define the minimum permitted diameter of the winding (usually corresponds to the winder case).
3. L04 Diameter maximum:
Define the maximum permitted diameter of the winding according to your application.
4. L111 Diameter time constant:
If the quality of the signal requires it, adjust the time constant for the filter accordingly.

Parameterizing the diameter source

Select either a sensor or the diameter calculator as the source for the winding diameter.

1. Select the Drive Based Center Winder application wizard > Center winder > Diameter > Diameter: Source.
 2. L20 Source diameter:
Select the source for the winding diameter.
 - 2.1. If the drive controller is to calculate the winding diameter, select 0: Diameter calculator.
 - 2.2. If a sensor is the source for the winding diameter, select 1: Diameter sensor.
- ⇒ The parameters and wizards for parameterization of the winding diameter are displayed according to the selected source.

Parameterizing the diameter change limit

As an option, you can limit the change in the winding diameter with regard to the winding direction, maximum permitted change per second and, if applicable, change based on the axis enable signal.

1. Select the Drive Based Center Winder application wizard > Center winder > Diameter > Limitation: Diameter change.
2. L35 Source diameter change limitation:
Define whether the winding diameter is limited based on the winding direction.
 - 2.1. If the winding diameter may change in both directions, select 0: Inactive.
 - 2.2. If the winding diameter may only change in the winding direction, select 1: Active.
 - 2.3. If the control word of the center winder is used as the source for limiting the diameter change, select 3: Parameter L150.
 - 2.4. If a digital input (direct or inverted) acts as the source, select the corresponding input.
3. L36 Diameter change maximum:
As an option, you can define the maximum permitted change in the winding diameter per second.
4. L37 Diameter change limit enable dependent:
Select whether the diameter change limit should pause in case of Enable-off (e.g. to replace the winder case).
 - 4.1. To limit the diameter change independently of the enable signal, select 0: Inactive.
 - 4.2. To limit the diameter change depending on the enable signal, select 1: Active.

You can find more information on the winding direction under [Winding direction](#) [▶ 113].

5.7.2.3.1 Parameterizing the diameter sensor

If a sensor serves as the source for the winding diameter, parameterize an analog input or fieldbus as the source according to your application.

- ✓ The winding diameter is measured using a sensor (L20 = 1: Diameter sensor).
1. Select the Drive Based Center Winder application wizard > Center winder > Diameter > Diameter: Source.
 2. L21 Source diameter sensor:
Select the source for the diameter sensor.
 - 2.1. If an analog input acts as the source, select the corresponding input.
 - 2.2. If a fieldbus is the source, select 4: Parameter L25.

Information

If an analog input serves as the source for the application, parameterize, calibrate and scale the respective analog input as described in [Parameterizing analog inputs](#) [▶ 40].

5.7.2.3.2 Parameterizing the diameter calculator

If the winding diameter is calculated by the drive controller, parameterize the diameter calculator as described below.

Information

The winding diameter is required for a consistent calculation of the material tensile force. When L20 = 0: Diameter calculator, it is calculated by the drive controller from the actual velocity of the motor and actual material velocity, among other factors. Accordingly, the winding diameter cannot be calculated when the axis is at a standstill. This means that, depending on the actual winding diameter, a material tensile force that is temporarily too low can result when continuing the 30: MC_Winder motion command.

There are 2 options for enabling a consistent material tensile force when continuing the 30: MC_Winder motion command from a standstill: You can either maintain the calculated winding diameter during the axis standstill or temporarily specify a start diameter via fieldbus when continuing the 30: MC_Winder motion command (maintain diameter: L28; start diameter: L30).

Parameterizing the diameter calculator

Parameterize the minimum permitted velocity for calculating the winding diameter.

- ✓ The winding diameter is calculated by the drive controller (L20 = 0: Diameter calculator).
- 1. Select the Drive Based Center Winder application wizard > Center winder > Diameter > Diameter: Source.
- 2. L02 Velocity minimum:
Select the minimum permitted velocity to be used for calculating the winding diameter.

Diameter calculator: Parameterizing the filter

If the quality of the signals requires it, as an option, you can define the velocity-dependent time constant for the filter of the diameter calculator.

- ✓ The winding diameter is calculated by the drive controller (L20 = 0: Diameter calculator).
- 1. Select the Drive Based Center Winder application wizard > Center winder > Diameter > Diameter: Source > Diameter calculator: Filter.
- 2. L80 Diameter calculator filter time constant, L81 Diameter calculator filter velocity:
To filter the actual material velocity as well as the actual velocity of the axis, define the velocity-dependent time constants for the diameter calculator.
 - 2.1. L80 Diameter calculator filter time constant:
If the quality of the signals requires it, define the time constants in L80[0] – [7] for the respective velocity in L81[0] – [7].
 - 2.2. L81 Diameter calculator filter velocity:
If the quality of the signals requires it, define the velocities in L81[0] – [7] for the respective time constant in L80[0] – [7].
- ⇒ The velocity-dependent time constant for the calculation of the winding diameter is calculated from the pairs of values for L80 and L81 (display: L82).

Parameterizing the start diameter

As an option, you can parameterize a start diameter to enable a more even material tensile force when continuing the 30: MC_Winder motion command from a standstill.

- ✓ The winding diameter is calculated by the drive controller (L20 = 0: Diameter calculator).
- 1. Select the Drive Based Center Winder application wizard > Data sources > Center winder digital signals: Data source.
- 2. L30 Source activate start diameter:
Select the source for activating the start diameter.
 - 2.1. If the control word of the center winder is the source, select 2: Parameter L150.
 - 2.2. If a digital input (direct or inverted) acts as the source, select the corresponding input.
- 3. Select the Drive Based Center Winder application wizard > Center winder > Diameter.
- 4. L31 Start diameter:
Define the desired start diameter.

Retaining the diameter: Parameterizing the source

As an option, you can parameterize a source for retaining the diameter to enable a more even material tensile force when continuing the 30: MC_Winder motion command from a standstill.

- ✓ The winding diameter is calculated by the drive controller (L20 = 0: Diameter calculator).
- 1. Select the Drive Based Center Winder application wizard > Data sources > Center winder digital signals: Data source.
- 2. L28 Source hold diameter:
If center winder control word L150 is the source for retaining the winding diameter, select 2: Parameter L150.
 - 2.1. If the control word of the center winder is the source, select 2: Parameter L150.
 - 2.2. If a digital input (direct or inverted) acts as the source, select the corresponding input.

5.7.2.4 Compensating for friction and mass inertia

Friction compensation is essential for the correct display of the calculated actual material tensile force. If L00 = 1: Tensile force control (open loop), the static and dynamic frictional torques of the axis absolutely must be determined and compensated for in order to ensure a uniform winding result. If L00 = 2: Tensile force control, torque correction, compensation for the friction can relieve the PID controller.

As an option, the constant and variable mass moments of inertia of the axis can also be determined and compensated for in order to keep the material tensile force constant if the axis is accelerated. Parameterize compensation for the mass inertia as described below.

If L00 = 1: Tensile force control (open loop), parameterize compensation for the friction as described below. For all other winding methods, the compensation for friction and mass inertia is optional and only required for the correct display of the calculated actual material tensile force (display: L481).

For more information on friction and mass inertia compensation, see [Compensation for friction and mass inertia \[► 115\]](#).

5.7.2.4.1 Determining frictional torques

Determine the static and dynamic frictional torque using the [jog control panel](#) and the respective formula as described below.

WARNING!

Injury to persons and material damage due to axis movement!

When you activate the control panel, DriveControlSuite gives you sole control of the motions of the axis. If you are using a controller, it no longer monitors the axis movements after the control panel is activated. The controller cannot intervene to prevent collisions. The controller takes over control again when the control panel is deactivated, which can cause unexpected axis movements.

- Do not switch to other windows when the control panel is active.
 - Only use the control panel if you have visual contact with the axis.
 - Make sure that no people or objects are within the travel range.
 - For access via remote maintenance, there must be a communication link between you and a person on site with eye contact to the axis.
-

Jog control panel: Determining operating points

To determine the static and dynamic frictional torque, move the center winder without material using the jog control panel at 2 different velocities and write down the pair of values of velocity and associated torque for the 2 operating points.

- ✓ There is an online connection between DriveControlSuite and the drive controller.
 - ✓ The winder case is empty; no material is wound up.
1. Select the relevant drive controller in the project tree and click on the desired projected axis in the Project menu > Wizard area.
 2. Select the Jog control panel wizard.
 3. Click Control panel on and then Enable.
 - ⇒ The axis is monitored via the active control panel.
 4. Check the default values of the control panel and adjust them to your projected axis model if necessary.
 5. I12 Jog velocity:
Define the lower velocity and move the axis according to the winding direction with Jog+ or Jog-.
 6. I88 Actual speed, E02 Actual torque/force filtered:
Write down the absolute value of the actual velocity as well as the associated torque as operating point 1 for the calculation of the frictional torques ($n_{2,1}$, $M_{2,1}$).
 7. I12 Jog velocity:
Define the higher velocity and move the axis according to the winding direction with Jog+ or Jog-.
 8. I88 Actual speed, E02 Actual torque/force filtered:
Write down the absolute value of the actual velocity as well as the associated torque as operating point 2 for the calculation of the frictional torques ($n_{2,2}$, $M_{2,2}$).
- ⇒ You have determined operating point 1 ($n_{2,1}$, $M_{2,1}$) and operating point 2 ($n_{2,2}$, $M_{2,2}$) for the calculation of the frictional torques.

Determining static and dynamic frictional torque

To calculate the static frictional torque M_{Rstat} and dynamic frictional torque M_{Rdyn} , you need the following absolute values:

- Operating point 1 (lower velocity)
 - $M_{2,1}$: torque at the gearbox output
 - $n_{2,1}$: speed at the gearbox output
- Operating point 2 (higher velocity)
 - $M_{2,2}$: torque at the gearbox output
 - $n_{2,2}$: speed at the gearbox output

Use the following formula for the measured value pairs to determine the dynamic frictional torque M_{Rdyn} and write down the result (target parameter: L120).

$$M_{Rdyn} = \frac{M_{2,2} - M_{2,1}}{\frac{n_{2,2} - n_{2,1}}{1000 \text{ min}^{-1}}}$$

Fig. 4: Dynamic frictional torque M_{Rdyn}

Use the following formula for the measured value pairs to determine the static frictional torque M_{Rstat} and write down the result (target parameter: L110).

$$M_{Rstat} = M_{2,2} - \left(M_{Rdyn} \times \left(\frac{n_{2,2}}{1000 \text{ min}^{-1}} \right) \right) = M_{2,1} - \left(M_{Rdyn} \times \left(\frac{n_{2,1}}{1000 \text{ min}^{-1}} \right) \right)$$

Fig. 5: Static frictional torque M_{Rstat}

Example

- Operating point 1 (lower velocity)
 - $M_{2,1} = 12\%$
 - $n_{2,1} = 500 \text{ rpm}$
- Operating point 2 (higher velocity)
 - $M_{2,2} = 39\%$
 - $n_{2,2} = 3000 \text{ rpm}$

$$M_{Rdyn} = \frac{39\% - 12\%}{\frac{3000 \text{ min}^{-1} - 500 \text{ min}^{-1}}{1000 \text{ min}^{-1}}} = 10,8\%$$

Fig. 6: Example: Calculate M_{Rdyn}

$$M_{Rstat} = 39\% - \left(10,8\% \times \left(\frac{3000 \text{ min}^{-1}}{1000 \text{ min}^{-1}} \right) \right) = 39\% - 32,4\% = 6,6\%$$

Fig. 7: Example: Calculate M_{Rstat}

5.7.2.4.2 Compensating for friction

Compensate for the static and dynamic friction of the axis by converting the previously determined frictional torques into the target parameters.

- ✓ You have determined the static frictional torque M_{Rstat} of the axis.
 - ✓ You have determined the dynamic frictional torque M_{Rdyn} of the axis.
1. Select the relevant drive controller in the project tree and click on the desired projected axis in the Project menu > Wizard area.
 2. Select the Drive Based Center Winder application wizard > Center winder > Compensation.
 3. L110 Frictional torque static:
Define the frictional torque for the compensation for the static friction of the axis.
 4. L120 Frictional torque dynamic:
Define the frictional torque for the compensation for the dynamic friction of the axis.

5.7.2.4.3 Determining mass moments of inertia

To keep the material tensile force constant when the axis is accelerated, as an option, you can compensate for the constant and variable mass inertia of the axis. To do so, determine the mass moments of inertia of the axis in accordance with the respective component using the following formulas for solid cylinders or hollow cylinders.

$$J = \frac{1}{2}mr^2$$

Fig. 8: Mass moment of inertia J (solid cylinder)

$$J = m \frac{r_1^2 + r_2^2}{2}$$

Fig. 9: Mass moment of inertia J (hollow cylinder)

Determining the mass moment of inertia of the gearbox

The mass moment of inertia J_1 of the gearbox can be found in the technical data in the corresponding catalog (target parameter: L200).

Determining the mass moment of inertia of the shaft, including winder case

To calculate the mass moment of inertia J of the shaft including winder case, you need the following values:

- Mass moment of inertia J of the shaft
 - r: radius of the shaft
 - m: weight of the shaft
- Mass moment of inertia J of the winder case
 - r_1 : inner radius of the winder case
 - r_2 : outer radius of the winder case
 - m: weight of the winder case

Calculate the mass moment of inertia J of the shaft including winder case as follows:

1. Calculate the mass moment of inertia J of the shaft using the formula for solid cylinders.
2. Calculate the mass moment of inertia J of the winder case using the formula for hollow cylinders.
3. Add the mass moments of inertia J of the shaft and winder case and write down the result (target parameter: L220).

Determining the mass moment of inertia of the winding

To calculate the mass moment of inertia J of the winding without the shaft and winder case, you need the following values:

- Mass moment of inertia J of the winding
 - r_1 : inner radius of the winder with minimum winding diameter L03
 - r_2 : outer radius of winder at maximum winding diameter L04
 - m: weight of winder at maximum winding diameter L04

Calculate the mass moment of inertia J of the winder using the formula for hollow cylinders and write down the result (target parameter: L240).

5.7.2.4.4 Compensating for mass inertia

To keep the material tensile force constant when the axis is accelerated, as an option, you can compensate for the mass inertia of the axis by defining the previously determined mass moments of inertia for the corresponding parameters or deactivate the function using the override.

- ✓ You have determined the mass moment of inertia J_1 of the gearbox.
 - ✓ You have determined the mass moment of inertia J of the shaft including winder case.
 - ✓ You have determined the mass moment of inertia J of the winding at maximum winding diameter.
1. Select the Drive Based Center Winder application wizard > Center winder > Compensation.
 2. L200 Gearbox mass moment of inertia:
Define the mass moment of inertia J of the gearbox for the compensation for the mass inertia of the axis.
 3. L220 Mass moment of inertia shaft:
Define the mass moment of inertia J of the shaft and winder case for the compensation for the mass inertia of the axis.
 4. L240 Mass moment of inertia winding:
Define the mass moment of inertia J of the material at maximum winding diameter for compensating for the mass inertia of the axis.
 5. L301 Compensation mass moment of inertia override:
Define the override for the compensation for the mass moment of inertia of the axis; the value 0 disables the function.

Information

To prevent abrupt set value jumps, compensation for the mass moment of inertia should only be activated ($L301 \neq 0$) if the set material velocity is ramped externally, since the derivation of the set material velocity is used for the compensation for the mass moment of inertia.

5.7.2.5 Parameterizing the set material velocity

The sign of the set material velocity defines the winding direction: If the set material velocity is positive, the center winder winds up (increasing winding diameter); if the set material velocity is negative, it unwinds (decreasing winding diameter).

You can find more information on the winding direction under [Winding direction](#) [► 113].

Parameterizing the set material velocity

Parameterize the maximum permitted material velocity and, if necessary, the override for the set velocity of the motor and optionally define the time constant for the filter of the set material velocity.

1. Select the Drive Based Center Winder application wizard > Center winder > Set material velocity.
2. L400 Source set material velocity:
Select the source of the set material velocity.
 - 2.1. If an analog input acts as the source, select the corresponding input.
 - 2.2. If a fieldbus is the source, select 4: Parameter L405.
3. L410 Material velocity maximum:
Define the maximum permitted material velocity.
4. L406 Set material velocity time constant:
If the quality of the signal requires it, adjust the time constant for the filter accordingly.
5. L07 Source velocity override:
If you selected 1: Tensile force control (open loop) = 2: Tensile force control, torque correction or L00, select the source of the velocity override for the set velocity of the motor.
 - 5.1. To specify a relative velocity override, select 1: Relative.
 - 5.2. To specify an absolute velocity override, select 2: Absolute.
 - 5.3. To specify the relative and absolute velocity override, select 3: Relative + absolute.
6. L05 Velocity override relative:
If you have selected 1: Relative or 3: Relative + absolute for L07, define the relative velocity override.
7. L06 Velocity override absolute:
If you have selected 2: Absolute = 3: Relative + absolute for L07, define the absolute velocity override.

Information

If L00 = 1: Tensile force control (open loop) and L00 = 2: Tensile force control, torque correction, the velocity override is required to create a difference between the set velocity and actual velocity of the motor so that the required actual material tensile force can be applied for a uniform winding result. The set material velocity is increased according to the velocity override during winding and reduced accordingly during unwinding.

Information

If an analog input serves as the source for the application, parameterize, calibrate and scale the respective analog input as described in [Parameterizing analog inputs](#) [► 40].

5.7.2.6 Parameterizing the actual material velocity

If the winding diameter is calculated by the drive controller or if you have selected 5: Velocity control = L00, parameterize the source of the actual material velocity as described below.

1. Select the Drive Based Center Winder application wizard > Center winder > Actual material velocity.
2. L452 Source actual material velocity:
Select the source of the actual material velocity.
 - 2.1. If an analog input acts as the source, select the corresponding input.
 - 2.2. If a fieldbus is the source, select 4: Parameter L450.
 - 2.3. If the actual material velocity is equal to the set material velocity, select 5: Parameter L420.
 - 2.4. If a master encoder serves as the source for the actual material velocity, select 6: Parameter G105.
3. L410 Material velocity maximum:
Define the maximum permitted material velocity.
4. L456 Actual material velocity time constant:
If the quality of the signal requires it, adjust the time constant for the filter accordingly.
5. L458 Invert actual material velocity:
If you have selected 5: Velocity control = L00, you may need to invert the sign of the actual material velocity so that the signs of the actual material velocity and set material velocity match.

Information

If the diameter calculator serves as the source for the winding diameter, the drive controller calculates the winding diameter from the absolute actual motor velocity and absolute actual material velocity. If L00 = 5: Velocity control, the signs of the actual material velocity and set material velocity must match.

Make sure that the parameterized actual material velocity corresponds to the actual velocity of the material directly at the winder so that the winding diameter, and consequently the set torque of the axis, can be calculated exactly for a uniform winding result. The actual material velocity must correspond to the actual velocity of the material on the winder.

Information

If an analog input serves as the source for the application, parameterize, calibrate and scale the respective analog input as described in [Parameterizing analog inputs](#) [▶ 40].

5.7.2.7 Parameterizing the master encoder

If a master encoder is used as the source for the actual material velocity, parameterize the master encoder as described below.

Parameterizing the master encoder

1. Select the relevant drive controller in the project tree and click on the desired projected axis in the Project menu > Wizard area.
2. Select the Encoder wizard > Master encoder: Scaling.
3. G104 Source master encoder:
Select the interface over which the master encoder is connected.
4. G47 Distance factor numerator master, G48 Distance factor denominator master:
Define the conversion factor for the path of the master encoder in relation to the master position.
5. Select the Encoder wizard.
6. G297 maximum-speed master-encoder
Define the maximum permitted velocity for the master encoder.

Information

Parameterize G297 maximum-speed master-encoder according to your application case: If G297 is set too low, the permitted maximum speed is exceeded even at normal operating speeds. If G297 is set too high, measuring errors of the encoder can be overlooked.

G297 depends on the following parameters: G46 Decimal places, G47 Distance factor numerator master, G48 Distance factor denominator master and G49 Master measure unit. If you have made changes to one of the parameters listed, adjust G297 accordingly as well.

Master encoder: Parameterizing the interface

The available connections vary depending on the series and, if applicable, the terminal module of the drive controller.

- ✓ You have selected the interface for the master encoder (G104 ≠ 0: Inactive).

1. If you have connected the master encoder over the X4 interface, select the Encoder wizard > X4.
 - 1.1. H00 X4 function:
Select the encoder model that is connected to the interface.
⇒ The appropriate parameters are displayed based on the selected encoder model.
 - 1.2. H03 Encoder version:
Select whether the encoder design is rotational or translational.
 - 1.3. Parameterize the interface according to the properties of the master encoder.
2. If you have connected the master encoder over the X101 or X103 (DI) interface, select the Encoder wizard > X101/X103 (DI).
 - 2.1. H40 DI encoder:
Select the encoder model that is connected to the interface.
⇒ The appropriate parameters are displayed based on the selected encoder model.
 - 2.2. H43 Encoder version:
Select whether the encoder design is rotational or translational.
 - 2.3. H41 DI numerator, H42 DI denominator:
Parameterize the pair of values for scaling the encoder at the digital input.

3. If you have connected the master encoder over the X120 interface, select the Encoder wizard > X120.
 - 3.1. H120 X120 function:
Select the encoder model that is connected to the interface.
⇒ The appropriate parameters are displayed based on the selected encoder model.
 - 3.2. H123 Encoder version:
Select whether the encoder design is rotational or translational.
 - 3.3. Parameterize the interface according to the properties of the master encoder.
4. If you have connected the master encoder over the X140 interface, select the Encoder wizard > X140.
 - 4.1. H140 X140 function:
Select the encoder model that is connected to the interface.
⇒ The appropriate parameters are displayed based on the selected encoder model.
 - 4.2. H143 Encoder version:
Select whether the encoder design is rotational or translational.
 - 4.3. Parameterize the interface according to the properties of the master encoder.

5.7.2.8 Parameterizing the set material tensile force

If you selected 1: Tensile force control (open loop) = 2: Tensile force control, torque correction, 3: Tensile force control, velocity correction or L00, parameterize the set material tensile force as described below.

Parameterizing the set material tensile force

Select the source and the mode for specifying the set material tensile force and optionally define the time constant for the filter of the set material tensile force.

1. Select the Drive Based Center Winder application wizard > Center winder > Set material tensile force.
2. L498 Source set material tensile force:
Select the source of the set material tensile force.
 - 2.1. If an analog input acts as the source, select the corresponding input.
 - 2.2. If a fieldbus is the source, select 4: Parameter L496.
3. L497 Set material tensile force maximum:
Define the maximum permitted material tensile force, which is also used for scaling the values at the analog input (0% = 0 N, 100% = L497).
4. L495 Set material tensile force time constant:
If the quality of the signal requires it, adjust the time constant for the filter accordingly.
5. L500 Set material tensile force mode:
Select the mode for specifying the set material tensile force.
 - 5.1. If the set material tensile force is to be specified without changes, select 0: Direct set material tensile force.
 - 5.2. If the set material tensile force is to be increased in proportion to the diameter, select 1: Set material tensile force proportional to diameter.
 - 5.3. If the set torque of the motor is to be kept constant regardless of the diameter, select 2: Constant torque.
 - 5.4. If a diameter-dependent override is to be applied to the set material tensile force, select 3: Characteristic.
⇒ The Set material tensile force: Curve wizard for parameterization of the diameter-dependent set material tensile force override is displayed.
 - 5.5. If the control word L150 of the center winder is the source for selecting the mode, select 4: Parameter L150.

Information

The required set torque for the axis is calculated from the specified set material tensile force and winding diameter. Negative values for the set material tensile force are limited to 0. For a consistent winding result, make sure that the set material tensile force is correctly parameterized.

Information

If an analog input serves as the source for the application, parameterize, calibrate and scale the respective analog input as described in [Parameterizing analog inputs](#) [▶ 40].

Set material tensile force: Parameterizing the curve

If you want to modify the specified set material tensile force using a diameter-dependent override, define the value pairs of winding diameter and set material tensile force override.

- ✓ You want to modify the set material tensile force with a diameter-dependent override (L500 = 3: Characteristic or 4: Parameter L150).
1. Select the Drive Based Center Winder application wizard > Center winder > Set material tensile force > Set material tensile force: Curve.
 2. L600 Set material tensile force curve diameter, L610 Set material tensile force curve override:
Define the value pairs of winding diameter and set material tensile force override for the diameter-dependent set material tensile force override.

5.7.2.9 Parameterizing the actual material tensile force

If you have selected L00 = 2: Tensile force control, torque correction or 3: Tensile force control, velocity correction, parameterize the source of the actual material tensile force as described below.

Parameterizing the actual material tensile force

Select the source for specifying the actual material tensile force and optionally define the time constant for the filter of the actual material tensile force.

1. Select the Drive Based Center Winder application wizard > Center winder > Actual material tensile force.
2. L492 Source actual material tensile force:
Select the source of the actual material tensile force.
 - 2.1. If an analog input acts as the source, select the corresponding input.
 - 2.2. If a fieldbus is the source, select 4: Parameter L490.
3. L497 Set material tensile force maximum:
Define the maximum permitted material tensile force, which is also used for scaling the values at the analog input (0% = 0 N, 100% = L497).
4. L489 Actual material tensile force time constant:
If the quality of the signal requires it, adjust the time constant for the filter accordingly.

5.7.2.10 Parameterizing the dancer

If you have selected L00 = 4: Dancer position control, velocity correction, parameterize the dancer as described below.

1. Select the Drive Based Center Winder application wizard > Center winder > Dancer.
2. L95 Dancer set position:
Define the set position of the dancer.
3. L90 Source dancer actual position:
Select the source of the actual dancer position.
 - 3.1. If an analog input acts as the source, select the corresponding input.
 - 3.2. If a fieldbus is the source, select 4: Parameter L96.
4. L91 Dancer actual position AI unscaled, L92 Dancer actual position AI scaled:
If an analog input is used as the source, define the desired value range at the analog input and the desired value range of the actual dancer position for scaling (unit: % → mm).
5. L93 Dancer actual position time constant:
If the quality of the signal requires it, adjust the time constant for the filter accordingly.
6. L97 Dancer set position minimum, L98 Dancer set position maximum:
Define the permitted value range for the set dancer position.

5.7.2.11 Parameterizing the PID controller

If you have selected one of the following winding methods for L00, parameterize the PID controller as described below.

- 2: Tensile force control, torque correction
- 3: Tensile force control, velocity correction
- 4: Dancer position control, velocity correction
- 5: Velocity control

You can find more information on the PID controller in the Drive Based Center Winder application under [PID controller](#) [▶ 116].

Parameterizing scaling

Parameterize the scaling of the inputs and outputs of the PID controller depending on the selected winding method.

1. Select the Drive Based Center Winder application wizard > Center winder.
2. L357 Material tensile force scaling:
If you have selected 2: Tensile force control, torque correction = 3: Tensile force control, velocity correction or L00, define the scaling of the material tensile force for the PID controller.
3. L358 Material velocity scaling:
If you have selected 3: Tensile force control, velocity correction = 4: Dancer position control, velocity correction or 5: Velocity control for L00, define the scaling of the material velocity for the PID controller.
4. L359 Dancer position scaling:
If you have selected 4: Dancer position control, velocity correction = L00, define the scaling of the material tensile force for the PID controller.

Parameterizing the PID controller

Parameterize the remaining settings of the PID controller independently of the selected winding method.

1. Select the Drive Based Center Winder application wizard > Center winder > PID controller.
2. L370 Source PID controller enable:
Select the source for the enable signal of the PID controller.
 - 2.1. To set the PID controller as basically enabled, select 1: High.
 - 2.2. If the control word of the application acts as the source, select 2: Parameter L150.
 - 2.3. If a digital input (direct or inverted) acts as the source, select the corresponding input.
3. L350 Closed loop gain PID:
Define the loop gain K_o of the PID controller.
4. L351 Proportional factor PID:
Define the proportional coefficient K_p of the PID controller.
5. L352 Integral factor PID:
Define the integral coefficient K_i of the PID controller.
6. L353 Differentiation time PID:
Define the derivation time T_D of the PID controller.
7. L354 Tau low pass D part PID:
If the quality of the signal requires it, adjust the time constant for the filter accordingly.
8. L355 Negative maximum value PID, L356 Positive maximum value PID:
Define the maximum permitted positive and maximum permitted negative manipulated variable of the PID controller.

5.7.2.12 Parameterizing material tear monitoring

If you want to use material tear monitoring, select the desired source and optionally parameterize application event 0. If L00 = 2: Tensile force control, torque correction and 3: Tensile force control, velocity correction, also define the minimum permitted material tensile force when using the algorithm.

You can find more information on material tear monitoring under [Material tear monitoring](#) [▶ 116].

Parameterizing material tear monitoring

Parameterize the source of material tear monitoring and, if necessary, define the minimum permitted material tensile force when using the algorithm.

1. Select the Drive Based Center Winder application wizard > Center winder > Material tear monitoring.
2. L381 Source material tear monitoring:
Select the source for material tear monitoring.
 - 2.1. If a sensor is the source, select 1: Sensor.
 - 2.2. If you want to monitor the material tensile force using an algorithm, select 2: Algorithm.
 - 2.3. If a sensor is used as the source and you also want to use the algorithm, select 3: Algorithm + sensor.
3. L382 Material tensile force minimum:
If you have selected 2: Algorithm = 3: Algorithm + sensor for L381, define the minimum permitted actual material tensile force for material tear monitoring if required (required for L00 = 2: Tensile force control, torque correction and 3: Tensile force control, velocity correction).

⇒ When material tear monitoring is triggered, the corresponding bit is set in the status word of the application (signal: L904; status word: L155, bit 7).

Parameterizing the material tear sensor

If a sensor is used as the source for material tear monitoring, parameterize the source for this (L381 = 1: Sensor or 3: Algorithm + sensor).

1. Select the Drive Based Center Winder application wizard > Data sources > Center winder digital signals: Data source.
2. L380 Source material tear sensor:
Select the source for the material tear sensor.
 - 2.1. If the control word of the center winder is the source, select 2: Parameter L150.
 - 2.2. If a digital input (direct or inverted) acts as the source, select the corresponding input.

Parameterizing application event 0

If you want to trigger application event 0 in the context of material tear monitoring, also parameterize the desired level for the evaluation of the event.

1. Select the Protection functions wizard > Protection functions: Application.
2. U100 Level application event 0:
Select the desired level of protection for the material tear monitoring function.
 - 2.1. To evaluate the event with low priority, select 1: Message.
 - 2.2. To evaluate the event with medium priority and a fault reaction after the tolerance time has elapsed, select 2: Warning.
 - 2.3. To evaluate the event with high priority and an immediate fault reaction, select 3: Fault.
3. U101 Time application event 0:
If you have selected for 2: Warning = U100, define the desired tolerance time after which the drive controller goes into fault mode.

5.7.2.13 Parameterizing the material length

If you want to calculate the material length on the winder based on the winding diameter, parameterize the material thickness as well as an optional comparison value for the material length to set the corresponding bit in the status word of the center winder when the comparison value is reached.

1. Select the Drive Based Center Winder application wizard > Center winder > Material length.
 2. L40 Material thickness:
Define the material thickness for calculating the material length on the winder.
 3. L42 Material length comparison value:
Define the comparison value for the material length on the winder.
- ⇒ The material length on the winder is calculated based on the current and maximum permitted diameter.
- ⇒ When the comparison value for the material length is reached, the corresponding bit is set in the status word of the center winder (L155, bit 9).

Information

During winding, the comparison value is considered to have been reached when the material length has exceeded the comparison value ($L41 > L42$). During unwinding, the comparison value is considered to have been reached when the material length has fallen below the comparison value ($L41 < L42$).

5.7.3 Parameterizing command operating mode

The following graphic shows the signal flows of the command operating mode. The elements shown in a lighter shade are optional.

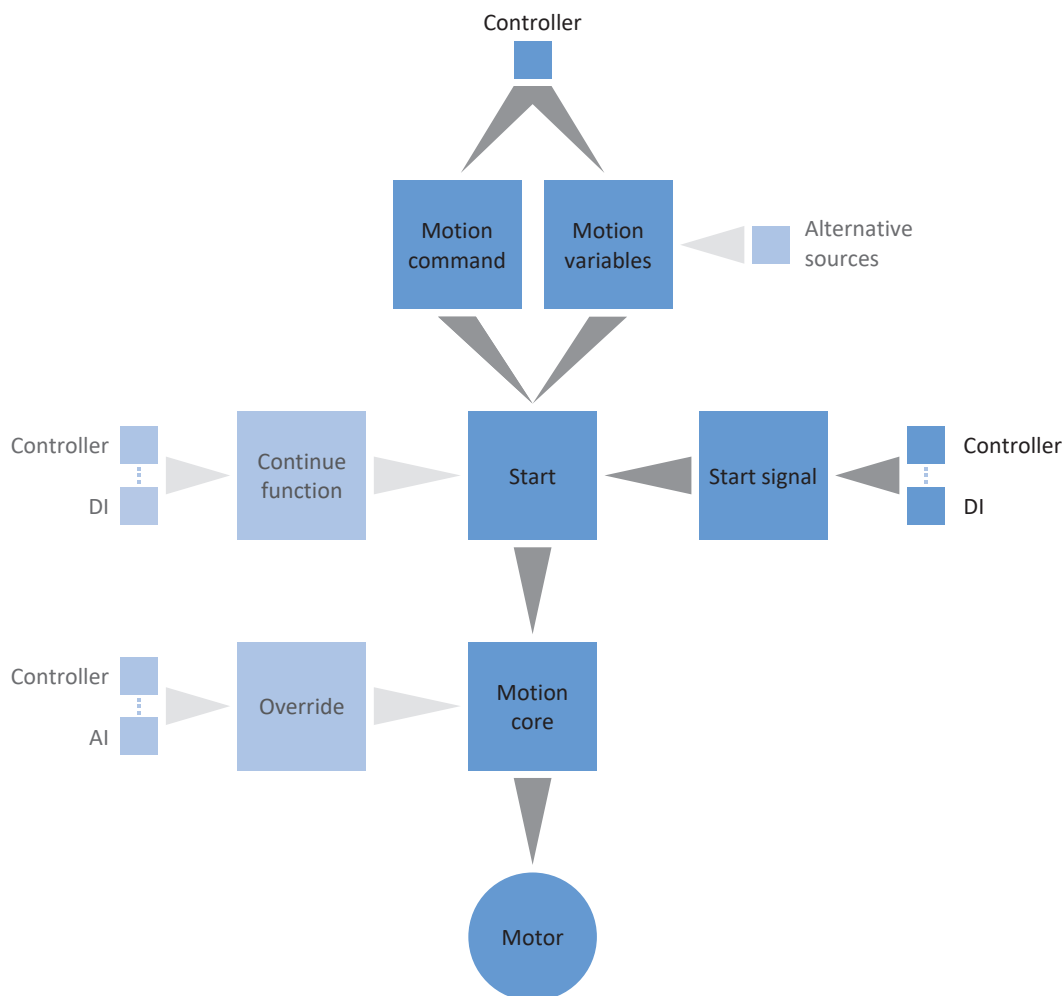


Fig. 10: Command operating mode: signal flows

In command operating mode, motion profiles are sent from a controller to the drive controller in the form of motion tasks. A motion task includes a PLCopen-compliant motion command which defines the basic motion method of the axis. The associated motion variables supply specifications on velocity, acceleration, deceleration and jerk, from which the motion core of the drive controller calculates the motion profile.

The controller coordinates the time progression and selects the motion tasks for the drive controller that the positioning, velocity and torque/force commands process and run. In the controller, you define the motion tasks. In the DS6, you parameterize the signal sources from which the drive controller receives the motion tasks from the controller.

In command operating mode, drive controllers are either activated using a fieldbus or by a mixed operation of a fieldbus and terminals.

Proceed as follows ...

- Activate command operating mode.
- Parameterize the center winder.
 - Parameterize the source of the winding diameter (calculator or sensor).
 - Compensate for the friction and, optionally, the mass inertia of the axis.
 - Parameterize the required motion variables (material tensile force, material velocity, dancer position) according to the winding method.
 - If necessary, parameterize the PID controller according to the winding method.
 - As an option, parameterize the material length or material tear monitoring.
- Optional: Limit torque/force using the operating mode.
- Parameterize the command-specific motion variables.
- Define the source for the start signal.
- Optional: Define the source for the continue signal.

You can find more information on the winding methods of the Drive Based Center Winder application under [Winding methods](#) [▶ 104].

Information

The motion variables available for this operating mode that you configure in the software depend on your application case as well as on additional project-specific factors such as the use of a controller or the type of data transmission (fieldbus, terminals).

5.7.3.1 Activating command operating mode

1. Select the relevant drive controller in the project tree and click on the desired projected axis in the Project menu > Wizard area.
 2. Select the Drive Based Center Winder application wizard.
 3. Operating modes area:
Activate the Command operating mode option.
- ⇒ The corresponding wizards are displayed.

5.7.3.2 Parameterizing the center winder

Parameterize the center winder as described below to be able to use the 30: MC_Winder motion command for winding.

5.7.3.2.1 Selecting the winding method

Select the desired winding method for the center winder according to your application. Depending on the winding method, it may be necessary to parameterize different motion variables and possibly the PID controller.

You can find more information on the winding methods of the Drive Based Center Winder application under [Winding methods](#) [▶ 104].

1. Select the Drive Based Center Winder application wizard > Center winder.
2. L00 Center winder method:
Select the desired winding method for the center winder.
 - 2.1. If the material velocity is the focus of the application, select 0: Velocity control (open loop) or 5: Velocity control.
 - 2.2. If the material tensile force is the focus of the application, select 1: Tensile force control (open loop), 2: Tensile force control, torque correction or 3: Tensile force control, velocity correction.
 - 2.3. If you are working with a dancer, select 4: Dancer position control, velocity correction.
3. L10 Source center winder polarity:
Select the direction of interpretation between the winding direction and motor movement, i.e. the relationship between the signs of the set material velocity L420 and set velocity of the motor L102.
 - 3.1. If the signs of the set velocities are the same, select 0: Positive.
 - 3.2. If the signs of the set velocities are inverted, select 1: Negative.
 - 3.3. If the control word of the center winder is the source, select 2: Parameter L150.
 - 3.4. If a digital input (direct or inverted) acts as the source, select the corresponding input.

You can find more information on the winding direction under [Winding direction](#) [▶ 113].

5.7.3.2.2 Parameterizing the diameter source

Parameterize the source of the winding diameter based on whether a sensor serves as the source for the diameter in your drive project or whether the diameter is calculated by the drive controller. A sensor for the actual material velocity is required for the calculation of the winding diameter by the drive controller. First configure the general settings as described below, then parameterize either the diameter sensor or the diameter calculator, depending on the source.

You can find more information on the winding diameter under [Winding diameter \[► 111\]](#).

Parameterizing the diameter

Parameterize the minimum and maximum permitted winding diameters and optionally define the time constant for the filter of the winding diameter.

1. Select the Drive Based Center Winder application wizard > Center winder > Diameter.
2. L03 Minimal diameter:
Define the minimum permitted diameter of the winding (usually corresponds to the winder case).
3. L04 Diameter maximum:
Define the maximum permitted diameter of the winding according to your application.
4. L111 Diameter time constant:
If the quality of the signal requires it, adjust the time constant for the filter accordingly.

Parameterizing the diameter source

Select either a sensor or the diameter calculator as the source for the winding diameter.

1. Select the Drive Based Center Winder application wizard > Center winder > Diameter > Diameter: Source.
 2. L20 Source diameter:
Select the source for the winding diameter.
 - 2.1. If the drive controller is to calculate the winding diameter, select 0: Diameter calculator.
 - 2.2. If a sensor is the source for the winding diameter, select 1: Diameter sensor.
- ⇒ The parameters and wizards for parameterization of the winding diameter are displayed according to the selected source.

Parameterizing the diameter change limit

As an option, you can limit the change in the winding diameter with regard to the winding direction, maximum permitted change per second and, if applicable, change based on the axis enable signal.

1. Select the Drive Based Center Winder application wizard > Center winder > Diameter > Limitation: Diameter change.
2. L35 Source diameter change limitation:
Define whether the winding diameter is limited based on the winding direction.
 - 2.1. If the winding diameter may change in both directions, select 0: Inactive.
 - 2.2. If the winding diameter may only change in the winding direction, select 1: Active.
 - 2.3. If the control word of the center winder is used as the source for limiting the diameter change, select 3: Parameter L150.
 - 2.4. If a digital input (direct or inverted) acts as the source, select the corresponding input.
3. L36 Diameter change maximum:
As an option, you can define the maximum permitted change in the winding diameter per second.
4. L37 Diameter change limit enable dependent:
Select whether the diameter change limit should pause in case of Enable-off (e.g. to replace the winder case).
 - 4.1. To limit the diameter change independently of the enable signal, select 0: Inactive.
 - 4.2. To limit the diameter change depending on the enable signal, select 1: Active.

You can find more information on the winding direction under [Winding direction](#) [▶ 113].

5.7.3.2.2.1 Parameterizing the diameter sensor

If a sensor serves as the source for the winding diameter, parameterize an analog input or fieldbus as the source according to your application.

- ✓ The winding diameter is measured using a sensor (L20 = 1: Diameter sensor).
1. Select the Drive Based Center Winder application wizard > Center winder > Diameter > Diameter: Source.
 2. L21 Source diameter sensor:
Select the source for the diameter sensor.
 - 2.1. If an analog input acts as the source, select the corresponding input.
 - 2.2. If a fieldbus is the source, select 4: Parameter L25.

Information

If an analog input serves as the source for the application, parameterize, calibrate and scale the respective analog input as described in [Parameterizing analog inputs](#) [▶ 40].

5.7.3.2.2.2 Parameterizing the diameter calculator

If the winding diameter is calculated by the drive controller, parameterize the diameter calculator as described below.

Information

The winding diameter is required for a consistent calculation of the material tensile force. When L20 = 0: Diameter calculator, it is calculated by the drive controller from the actual velocity of the motor and actual material velocity, among other factors. Accordingly, the winding diameter cannot be calculated when the axis is at a standstill. This means that, depending on the actual winding diameter, a material tensile force that is temporarily too low can result when continuing the 30: MC_Winder motion command.

There are 2 options for enabling a consistent material tensile force when continuing the 30: MC_Winder motion command from a standstill: You can either maintain the calculated winding diameter during the axis standstill or temporarily specify a start diameter via fieldbus when continuing the 30: MC_Winder motion command (maintain diameter: L28; start diameter: L30).

Parameterizing the diameter calculator

Parameterize the minimum permitted velocity for calculating the winding diameter.

- ✓ The winding diameter is calculated by the drive controller (L20 = 0: Diameter calculator).
- 1. Select the Drive Based Center Winder application wizard > Center winder > Diameter > Diameter: Source.
- 2. L02 Velocity minimum:
Select the minimum permitted velocity to be used for calculating the winding diameter.

Diameter calculator: Parameterizing the filter

If the quality of the signals requires it, as an option, you can define the velocity-dependent time constant for the filter of the diameter calculator.

- ✓ The winding diameter is calculated by the drive controller (L20 = 0: Diameter calculator).
- 1. Select the Drive Based Center Winder application wizard > Center winder > Diameter > Diameter: Source > Diameter calculator: Filter.
- 2. L80 Diameter calculator filter time constant, L81 Diameter calculator filter velocity:
To filter the actual material velocity as well as the actual velocity of the axis, define the velocity-dependent time constants for the diameter calculator.
 - 2.1. L80 Diameter calculator filter time constant:
If the quality of the signals requires it, define the time constants in L80[0] – [7] for the respective velocity in L81[0] – [7].
 - 2.2. L81 Diameter calculator filter velocity:
If the quality of the signals requires it, define the velocities in L81[0] – [7] for the respective time constant in L80[0] – [7].
- ⇒ The velocity-dependent time constant for the calculation of the winding diameter is calculated from the pairs of values for L80 and L81 (display: L82).

Parameterizing the start diameter

As an option, you can parameterize a start diameter to enable a more even material tensile force when continuing the 30: MC_Winder motion command from a standstill.

- ✓ The winding diameter is calculated by the drive controller (L20 = 0: Diameter calculator).
- 1. Select the Drive Based Center Winder application wizard > Data sources > Center winder digital signals: Data source.
- 2. L30 Source activate start diameter:
Select the source for activating the start diameter.
 - 2.1. If the control word of the center winder is the source, select 2: Parameter L150.
 - 2.2. If a digital input (direct or inverted) acts as the source, select the corresponding input.
- 3. Select the Drive Based Center Winder application wizard > Center winder > Diameter.
- 4. L31 Start diameter:
Define the desired start diameter.

Retaining the diameter: Parameterizing the source

As an option, you can parameterize a source for retaining the diameter to enable a more even material tensile force when continuing the 30: MC_Winder motion command from a standstill.

- ✓ The winding diameter is calculated by the drive controller (L20 = 0: Diameter calculator).
- 1. Select the Drive Based Center Winder application wizard > Data sources > Center winder digital signals: Data source.
- 2. L28 Source hold diameter:
If center winder control word L150 is the source for retaining the winding diameter, select 2: Parameter L150.
 - 2.1. If the control word of the center winder is the source, select 2: Parameter L150.
 - 2.2. If a digital input (direct or inverted) acts as the source, select the corresponding input.

5.7.3.2.3 Compensating for friction and mass inertia

Friction compensation is essential for the correct display of the calculated actual material tensile force. If L00 = 1: Tensile force control (open loop), the static and dynamic frictional torques of the axis absolutely must be determined and compensated for in order to ensure a uniform winding result. If L00 = 2: Tensile force control, torque correction, compensation for the friction can relieve the PID controller.

As an option, the constant and variable mass moments of inertia of the axis can also be determined and compensated for in order to keep the material tensile force constant if the axis is accelerated. Parameterize compensation for the mass inertia as described below.

If L00 = 1: Tensile force control (open loop), parameterize compensation for the friction as described below. For all other winding methods, the compensation for friction and mass inertia is optional and only required for the correct display of the calculated actual material tensile force (display: L481).

For more information on friction and mass inertia compensation, see [Compensation for friction and mass inertia \[► 115\]](#).

5.7.3.2.3.1 Determining frictional torques

Determine the static and dynamic frictional torque using the [jog control panel](#) and the respective formula as described below.

WARNING!

Injury to persons and material damage due to axis movement!

When you activate the control panel, DriveControlSuite gives you sole control of the motions of the axis. If you are using a controller, it no longer monitors the axis movements after the control panel is activated. The controller cannot intervene to prevent collisions. The controller takes over control again when the control panel is deactivated, which can cause unexpected axis movements.

- Do not switch to other windows when the control panel is active.
 - Only use the control panel if you have visual contact with the axis.
 - Make sure that no people or objects are within the travel range.
 - For access via remote maintenance, there must be a communication link between you and a person on site with eye contact to the axis.
-

Jog control panel: Determining operating points

To determine the static and dynamic frictional torque, move the center winder without material using the jog control panel at 2 different velocities and write down the pair of values of velocity and associated torque for the 2 operating points.

- ✓ There is an online connection between DriveControlSuite and the drive controller.
 - ✓ The winder case is empty; no material is wound up.
1. Select the relevant drive controller in the project tree and click on the desired projected axis in the Project menu > Wizard area.
 2. Select the Jog control panel wizard.
 3. Click Control panel on and then Enable.
 - ⇒ The axis is monitored via the active control panel.
 4. Check the default values of the control panel and adjust them to your projected axis model if necessary.
 5. I12 Jog velocity:
Define the lower velocity and move the axis according to the winding direction with Jog+ or Jog-.
 6. I88 Actual speed, E02 Actual torque/force filtered:
Write down the absolute value of the actual velocity as well as the associated torque as operating point 1 for the calculation of the frictional torques ($n_{2,1}$, $M_{2,1}$).
 7. I12 Jog velocity:
Define the higher velocity and move the axis according to the winding direction with Jog+ or Jog-.
 8. I88 Actual speed, E02 Actual torque/force filtered:
Write down the absolute value of the actual velocity as well as the associated torque as operating point 2 for the calculation of the frictional torques ($n_{2,2}$, $M_{2,2}$).
- ⇒ You have determined operating point 1 ($n_{2,1}$, $M_{2,1}$) and operating point 2 ($n_{2,2}$, $M_{2,2}$) for the calculation of the frictional torques.

Determining static and dynamic frictional torque

To calculate the static frictional torque M_{Rstat} and dynamic frictional torque M_{Rdyn} , you need the following absolute values:

- Operating point 1 (lower velocity)
 - $M_{2,1}$: torque at the gearbox output
 - $n_{2,1}$: speed at the gearbox output
- Operating point 2 (higher velocity)
 - $M_{2,2}$: torque at the gearbox output
 - $n_{2,2}$: speed at the gearbox output

Use the following formula for the measured value pairs to determine the dynamic frictional torque M_{Rdyn} and write down the result (target parameter: L120).

$$M_{Rdyn} = \frac{M_{2,2} - M_{2,1}}{\frac{n_{2,2} - n_{2,1}}{1000 \text{ min}^{-1}}}$$

Fig. 11: Dynamic frictional torque M_{Rdyn}

Use the following formula for the measured value pairs to determine the static frictional torque M_{Rstat} and write down the result (target parameter: L110).

$$M_{Rstat} = M_{2,2} - \left(M_{Rdyn} \times \left(\frac{n_{2,2}}{1000 \text{ min}^{-1}} \right) \right) = M_{2,1} - \left(M_{Rdyn} \times \left(\frac{n_{2,1}}{1000 \text{ min}^{-1}} \right) \right)$$

Fig. 12: Static frictional torque M_{Rstat}

Example

- Operating point 1 (lower velocity)
 - $M_{2,1} = 12\%$
 - $n_{2,1} = 500 \text{ rpm}$
- Operating point 2 (higher velocity)
 - $M_{2,2} = 39\%$
 - $n_{2,2} = 3000 \text{ rpm}$

$$M_{Rdyn} = \frac{39\% - 12\%}{\frac{3000 \text{ min}^{-1} - 500 \text{ min}^{-1}}{1000 \text{ min}^{-1}}} = 10,8\%$$

Fig. 13: Example: Calculate M_{Rdyn}

$$M_{Rstat} = 39\% - \left(10,8\% \times \left(\frac{3000 \text{ min}^{-1}}{1000 \text{ min}^{-1}} \right) \right) = 39\% - 32,4\% = 6,6\%$$

Fig. 14: Example: Calculate M_{Rstat}

5.7.3.2.3.2 Compensating for friction

Compensate for the static and dynamic friction of the axis by converting the previously determined frictional torques into the target parameters.

- ✓ You have determined the static frictional torque M_{Rstat} of the axis.
 - ✓ You have determined the dynamic frictional torque M_{Rdyn} of the axis.
1. Select the relevant drive controller in the project tree and click on the desired projected axis in the Project menu > Wizard area.
 2. Select the Drive Based Center Winder application wizard > Center winder > Compensation.
 3. L110 Frictional torque static:
Define the frictional torque for the compensation for the static friction of the axis.
 4. L120 Frictional torque dynamic:
Define the frictional torque for the compensation for the dynamic friction of the axis.

5.7.3.2.3.3 Determining mass moments of inertia

To keep the material tensile force constant when the axis is accelerated, as an option, you can compensate for the constant and variable mass inertia of the axis. To do so, determine the mass moments of inertia of the axis in accordance with the respective component using the following formulas for solid cylinders or hollow cylinders.

$$J = \frac{1}{2}mr^2$$

Fig. 15: Mass moment of inertia J (solid cylinder)

$$J = m \frac{r_1^2 + r_2^2}{2}$$

Fig. 16: Mass moment of inertia J (hollow cylinder)

Determining the mass moment of inertia of the gearbox

The mass moment of inertia J_1 of the gearbox can be found in the technical data in the corresponding catalog (target parameter: L200).

Determining the mass moment of inertia of the shaft, including winder case

To calculate the mass moment of inertia J of the shaft including winder case, you need the following values:

- Mass moment of inertia J of the shaft
 - r: radius of the shaft
 - m: weight of the shaft
- Mass moment of inertia J of the winder case
 - r_1 : inner radius of the winder case
 - r_2 : outer radius of the winder case
 - m: weight of the winder case

Calculate the mass moment of inertia J of the shaft including winder case as follows:

1. Calculate the mass moment of inertia J of the shaft using the formula for solid cylinders.
2. Calculate the mass moment of inertia J of the winder case using the formula for hollow cylinders.
3. Add the mass moments of inertia J of the shaft and winder case and write down the result (target parameter: L220).

Determining the mass moment of inertia of the winding

To calculate the mass moment of inertia J of the winding without the shaft and winder case, you need the following values:

- Mass moment of inertia J of the winding
 - r_1 : inner radius of the winder with minimum winding diameter L03
 - r_2 : outer radius of winder at maximum winding diameter L04
 - m: weight of winder at maximum winding diameter L04

Calculate the mass moment of inertia J of the winder using the formula for hollow cylinders and write down the result (target parameter: L240).

5.7.3.2.3.4 Compensating for mass inertia

To keep the material tensile force constant when the axis is accelerated, as an option, you can compensate for the mass inertia of the axis by defining the previously determined mass moments of inertia for the corresponding parameters or deactivate the function using the override.

- ✓ You have determined the mass moment of inertia J_1 of the gearbox.
 - ✓ You have determined the mass moment of inertia J of the shaft including winder case.
 - ✓ You have determined the mass moment of inertia J of the winding at maximum winding diameter.
1. Select the Drive Based Center Winder application wizard > Center winder > Compensation.
 2. L200 Gearbox mass moment of inertia:
Define the mass moment of inertia J of the gearbox for the compensation for the mass inertia of the axis.
 3. L220 Mass moment of inertia shaft:
Define the mass moment of inertia J of the shaft and winder case for the compensation for the mass inertia of the axis.
 4. L240 Mass moment of inertia winding:
Define the mass moment of inertia J of the material at maximum winding diameter for compensating for the mass inertia of the axis.
 5. L301 Compensation mass moment of inertia override:
Define the override for the compensation for the mass moment of inertia of the axis; the value 0 disables the function.

Information

To prevent abrupt set value jumps, compensation for the mass moment of inertia should only be activated ($L301 \neq 0$) if the set material velocity is ramped externally, since the derivation of the set material velocity is used for the compensation for the mass moment of inertia.

5.7.3.2.4 Parameterizing the set material velocity

The sign of the set material velocity defines the winding direction: If the set material velocity is positive, the center winder winds up (increasing winding diameter); if the set material velocity is negative, it unwinds (decreasing winding diameter).

You can find more information on the winding direction under [Winding direction](#) [► 113].

Parameterizing the set material velocity

Parameterize the maximum permitted material velocity and, if necessary, the override for the set velocity of the motor and optionally define the time constant for the filter of the set material velocity.

1. Select the Drive Based Center Winder application wizard > Center winder > Set material velocity.
2. L400 Source set material velocity:
Select the source of the set material velocity.
 - 2.1. If an analog input acts as the source, select the corresponding input.
 - 2.2. If a fieldbus is the source, select 4: Parameter L405.
3. L410 Material velocity maximum:
Define the maximum permitted material velocity.
4. L406 Set material velocity time constant:
If the quality of the signal requires it, adjust the time constant for the filter accordingly.
5. L07 Source velocity override:
If you selected 1: Tensile force control (open loop) = 2: Tensile force control, torque correction or L00, select the source of the velocity override for the set velocity of the motor.
 - 5.1. To specify a relative velocity override, select 1: Relative.
 - 5.2. To specify an absolute velocity override, select 2: Absolute.
 - 5.3. To specify the relative and absolute velocity override, select 3: Relative + absolute.
6. L05 Velocity override relative:
If you have selected 1: Relative or 3: Relative + absolute for L07, define the relative velocity override.
7. L06 Velocity override absolute:
If you have selected 2: Absolute = 3: Relative + absolute for L07, define the absolute velocity override.

Information

If L00 = 1: Tensile force control (open loop) and L00 = 2: Tensile force control, torque correction, the velocity override is required to create a difference between the set velocity and actual velocity of the motor so that the required actual material tensile force can be applied for a uniform winding result. The set material velocity is increased according to the velocity override during winding and reduced accordingly during unwinding.

Information

If an analog input serves as the source for the application, parameterize, calibrate and scale the respective analog input as described in [Parameterizing analog inputs](#) [► 40].

5.7.3.2.5 Parameterizing the actual material velocity

If the winding diameter is calculated by the drive controller or if you have selected 5: Velocity control = L00, parameterize the source of the actual material velocity as described below.

1. Select the Drive Based Center Winder application wizard > Center winder > Actual material velocity.
2. L452 Source actual material velocity:
Select the source of the actual material velocity.
 - 2.1. If an analog input acts as the source, select the corresponding input.
 - 2.2. If a fieldbus is the source, select 4: Parameter L450.
 - 2.3. If the actual material velocity is equal to the set material velocity, select 5: Parameter L420.
 - 2.4. If a master encoder serves as the source for the actual material velocity, select 6: Parameter G105.
3. L410 Material velocity maximum:
Define the maximum permitted material velocity.
4. L456 Actual material velocity time constant:
If the quality of the signal requires it, adjust the time constant for the filter accordingly.
5. L458 Invert actual material velocity:
If you have selected 5: Velocity control = L00, you may need to invert the sign of the actual material velocity so that the signs of the actual material velocity and set material velocity match.

Information

If the diameter calculator serves as the source for the winding diameter, the drive controller calculates the winding diameter from the absolute actual motor velocity and absolute actual material velocity. If L00 = 5: Velocity control, the signs of the actual material velocity and set material velocity must match.

Make sure that the parameterized actual material velocity corresponds to the actual velocity of the material directly at the winder so that the winding diameter, and consequently the set torque of the axis, can be calculated exactly for a uniform winding result. The actual material velocity must correspond to the actual velocity of the material on the winder.

Information

If an analog input serves as the source for the application, parameterize, calibrate and scale the respective analog input as described in [Parameterizing analog inputs](#) [▶ 40].

5.7.3.2.6 Parameterizing the master encoder

If a master encoder is used as the source for the actual material velocity, parameterize the master encoder as described below.

Parameterizing the master encoder

1. Select the relevant drive controller in the project tree and click on the desired projected axis in the Project menu > Wizard area.
2. Select the Encoder wizard > Master encoder: Scaling.
3. G104 Source master encoder:
Select the interface over which the master encoder is connected.
4. G47 Distance factor numerator master, G48 Distance factor denominator master:
Define the conversion factor for the path of the master encoder in relation to the master position.
5. Select the Encoder wizard.
6. G297 maximum-speed master-encoder
Define the maximum permitted velocity for the master encoder.

Information

Parameterize G297 maximum-speed master-encoder according to your application case: If G297 is set too low, the permitted maximum speed is exceeded even at normal operating speeds. If G297 is set too high, measuring errors of the encoder can be overlooked.

G297 depends on the following parameters: G46 Decimal places, G47 Distance factor numerator master, G48 Distance factor denominator master and G49 Master measure unit. If you have made changes to one of the parameters listed, adjust G297 accordingly as well.

Master encoder: Parameterizing the interface

The available connections vary depending on the series and, if applicable, the terminal module of the drive controller.

✓ You have selected the interface for the master encoder (G104 ≠ 0: Inactive).

1. If you have connected the master encoder over the X4 interface, select the Encoder wizard > X4.
 - 1.1. H00 X4 function:
Select the encoder model that is connected to the interface.
⇒ The appropriate parameters are displayed based on the selected encoder model.
 - 1.2. H03 Encoder version:
Select whether the encoder design is rotational or translational.
 - 1.3. Parameterize the interface according to the properties of the master encoder.
2. If you have connected the master encoder over the X101 or X103 (DI) interface, select the Encoder wizard > X101/X103 (DI).
 - 2.1. H40 DI encoder:
Select the encoder model that is connected to the interface.
⇒ The appropriate parameters are displayed based on the selected encoder model.
 - 2.2. H43 Encoder version:
Select whether the encoder design is rotational or translational.
 - 2.3. H41 DI numerator, H42 DI denominator:
Parameterize the pair of values for scaling the encoder at the digital input.

3. If you have connected the master encoder over the X120 interface, select the Encoder wizard > X120.
 - 3.1. H120 X120 function:
Select the encoder model that is connected to the interface.
⇒ The appropriate parameters are displayed based on the selected encoder model.
 - 3.2. H123 Encoder version:
Select whether the encoder design is rotational or translational.
 - 3.3. Parameterize the interface according to the properties of the master encoder.
4. If you have connected the master encoder over the X140 interface, select the Encoder wizard > X140.
 - 4.1. H140 X140 function:
Select the encoder model that is connected to the interface.
⇒ The appropriate parameters are displayed based on the selected encoder model.
 - 4.2. H143 Encoder version:
Select whether the encoder design is rotational or translational.
 - 4.3. Parameterize the interface according to the properties of the master encoder.

5.7.3.2.7 Parameterizing the set material tensile force

If you selected 1: Tensile force control (open loop) = 2: Tensile force control, torque correction, 3: Tensile force control, velocity correction or L00, parameterize the set material tensile force as described below.

Parameterizing the set material tensile force

Select the source and the mode for specifying the set material tensile force and optionally define the time constant for the filter of the set material tensile force.

1. Select the Drive Based Center Winder application wizard > Center winder > Set material tensile force.
2. L498 Source set material tensile force:
Select the source of the set material tensile force.
 - 2.1. If an analog input acts as the source, select the corresponding input.
 - 2.2. If a fieldbus is the source, select 4: Parameter L496.
3. L497 Set material tensile force maximum:
Define the maximum permitted material tensile force, which is also used for scaling the values at the analog input (0% = 0 N, 100% = L497).
4. L495 Set material tensile force time constant:
If the quality of the signal requires it, adjust the time constant for the filter accordingly.
5. L500 Set material tensile force mode:
Select the mode for specifying the set material tensile force.
 - 5.1. If the set material tensile force is to be specified without changes, select 0: Direct set material tensile force.
 - 5.2. If the set material tensile force is to be increased in proportion to the diameter, select 1: Set material tensile force proportional to diameter.
 - 5.3. If the set torque of the motor is to be kept constant regardless of the diameter, select 2: Constant torque.
 - 5.4. If a diameter-dependent override is to be applied to the set material tensile force, select 3: Characteristic.
⇒ The Set material tensile force: Curve wizard for parameterization of the diameter-dependent set material tensile force override is displayed.
 - 5.5. If the control word L150 of the center winder is the source for selecting the mode, select 4: Parameter L150.

Information

The required set torque for the axis is calculated from the specified set material tensile force and winding diameter. Negative values for the set material tensile force are limited to 0. For a consistent winding result, make sure that the set material tensile force is correctly parameterized.

Information

If an analog input serves as the source for the application, parameterize, calibrate and scale the respective analog input as described in [Parameterizing analog inputs](#) [▶ 40].

Set material tensile force: Parameterizing the curve

If you want to modify the specified set material tensile force using a diameter-dependent override, define the value pairs of winding diameter and set material tensile force override.

- ✓ You want to modify the set material tensile force with a diameter-dependent override (L500 = 3: Characteristic or 4: Parameter L150).
- 1. Select the Drive Based Center Winder application wizard > Center winder > Set material tensile force > Set material tensile force: Curve.
- 2. L600 Set material tensile force curve diameter, L610 Set material tensile force curve override:
Define the value pairs of winding diameter and set material tensile force override for the diameter-dependent set material tensile force override.

5.7.3.2.8 Parameterizing the actual material tensile force

If you have selected L00 = 2: Tensile force control, torque correction or 3: Tensile force control, velocity correction, parameterize the source of the actual material tensile force as described below.

Parameterizing the actual material tensile force

Select the source for specifying the actual material tensile force and optionally define the time constant for the filter of the actual material tensile force.

1. Select the Drive Based Center Winder application wizard > Center winder > Actual material tensile force.
2. L492 Source actual material tensile force:
Select the source of the actual material tensile force.
 - 2.1. If an analog input acts as the source, select the corresponding input.
 - 2.2. If a fieldbus is the source, select 4: Parameter L490.
3. L497 Set material tensile force maximum:
Define the maximum permitted material tensile force, which is also used for scaling the values at the analog input (0% = 0 N, 100% = L497).
4. L489 Actual material tensile force time constant:
If the quality of the signal requires it, adjust the time constant for the filter accordingly.

5.7.3.2.9 Parameterizing the dancer

If you have selected L00 = 4: Dancer position control, velocity correction, parameterize the dancer as described below.

1. Select the Drive Based Center Winder application wizard > Center winder > Dancer.
2. L95 Dancer set position:
Define the set position of the dancer.
3. L90 Source dancer actual position:
Select the source of the actual dancer position.
 - 3.1. If an analog input acts as the source, select the corresponding input.
 - 3.2. If a fieldbus is the source, select 4: Parameter L96.
4. L91 Dancer actual position AI unscaled, L92 Dancer actual position AI scaled:
If an analog input is used as the source, define the desired value range at the analog input and the desired value range of the actual dancer position for scaling (unit: % → mm).
5. L93 Dancer actual position time constant:
If the quality of the signal requires it, adjust the time constant for the filter accordingly.
6. L97 Dancer set position minimum, L98 Dancer set position maximum:
Define the permitted value range for the set dancer position.

5.7.3.2.10 Parameterizing the PID controller

If you have selected one of the following winding methods for L00, parameterize the PID controller as described below.

- 2: Tensile force control, torque correction
- 3: Tensile force control, velocity correction
- 4: Dancer position control, velocity correction
- 5: Velocity control

You can find more information on the PID controller in the Drive Based Center Winder application under [PID controller](#) [▶ 116].

Parameterizing scaling

Parameterize the scaling of the inputs and outputs of the PID controller depending on the selected winding method.

1. Select the Drive Based Center Winder application wizard > Center winder.
2. L357 Material tensile force scaling:
If you have selected 2: Tensile force control, torque correction = 3: Tensile force control, velocity correction or L00, define the scaling of the material tensile force for the PID controller.
3. L358 Material velocity scaling:
If you have selected 3: Tensile force control, velocity correction = 4: Dancer position control, velocity correction or 5: Velocity control for L00, define the scaling of the material velocity for the PID controller.
4. L359 Dancer position scaling:
If you have selected 4: Dancer position control, velocity correction = L00, define the scaling of the material tensile force for the PID controller.

Parameterizing the PID controller

Parameterize the remaining settings of the PID controller independently of the selected winding method.

1. Select the Drive Based Center Winder application wizard > Center winder > PID controller.
2. L370 Source PID controller enable:
Select the source for the enable signal of the PID controller.
 - 2.1. To set the PID controller as basically enabled, select 1: High.
 - 2.2. If the control word of the application acts as the source, select 2: Parameter L150.
 - 2.3. If a digital input (direct or inverted) acts as the source, select the corresponding input.
3. L350 Closed loop gain PID:
Define the loop gain K_o of the PID controller.
4. L351 Proportional factor PID:
Define the proportional coefficient K_p of the PID controller.
5. L352 Integral factor PID:
Define the integral coefficient K_i of the PID controller.
6. L353 Differentiation time PID:
Define the derivation time T_D of the PID controller.
7. L354 Tau low pass D part PID:
If the quality of the signal requires it, adjust the time constant for the filter accordingly.
8. L355 Negative maximum value PID, L356 Positive maximum value PID:
Define the maximum permitted positive and maximum permitted negative manipulated variable of the PID controller.

5.7.3.2.11 Parameterizing material tear monitoring

If you want to use material tear monitoring, select the desired source and optionally parameterize application event 0. If L00 = 2: Tensile force control, torque correction and 3: Tensile force control, velocity correction, also define the minimum permitted material tensile force when using the algorithm.

You can find more information on material tear monitoring under [Material tear monitoring \[► 116\]](#).

Parameterizing material tear monitoring

Parameterize the source of material tear monitoring and, if necessary, define the minimum permitted material tensile force when using the algorithm.

1. Select the Drive Based Center Winder application wizard > Center winder > Material tear monitoring.
2. L381 Source material tear monitoring:
Select the source for material tear monitoring.
 - 2.1. If a sensor is the source, select 1: Sensor.
 - 2.2. If you want to monitor the material tensile force using an algorithm, select 2: Algorithm.
 - 2.3. If a sensor is used as the source and you also want to use the algorithm, select 3: Algorithm + sensor.
3. L382 Material tensile force minimum:
If you have selected 2: Algorithm = 3: Algorithm + sensor for L381, define the minimum permitted actual material tensile force for material tear monitoring if required (required for L00 = 2: Tensile force control, torque correction and 3: Tensile force control, velocity correction).
 - ⇒ When material tear monitoring is triggered, the corresponding bit is set in the status word of the application (signal: L904; status word: L155, bit 7).

Parameterizing the material tear sensor

If a sensor is used as the source for material tear monitoring, parameterize the source for this (L381 = 1: Sensor or 3: Algorithm + sensor).

1. Select the Drive Based Center Winder application wizard > Data sources > Center winder digital signals: Data source.
2. L380 Source material tear sensor:
Select the source for the material tear sensor.
 - 2.1. If the control word of the center winder is the source, select 2: Parameter L150.
 - 2.2. If a digital input (direct or inverted) acts as the source, select the corresponding input.

Parameterizing application event 0

If you want to trigger application event 0 in the context of material tear monitoring, also parameterize the desired level for the evaluation of the event.

1. Select the Protection functions wizard > Protection functions: Application.
2. U100 Level application event 0:
Select the desired level of protection for the material tear monitoring function.
 - 2.1. To evaluate the event with low priority, select 1: Message.
 - 2.2. To evaluate the event with medium priority and a fault reaction after the tolerance time has elapsed, select 2: Warning.
 - 2.3. To evaluate the event with high priority and an immediate fault reaction, select 3: Fault.
3. U101 Time application event 0:
If you have selected for 2: Warning = U100, define the desired tolerance time after which the drive controller goes into fault mode.

5.7.3.2.12 Parameterizing the material length

If you want to calculate the material length on the winder based on the winding diameter, parameterize the material thickness as well as an optional comparison value for the material length to set the corresponding bit in the status word of the center winder when the comparison value is reached.

1. Select the Drive Based Center Winder application wizard > Center winder > Material length.
 2. L40 Material thickness:
Define the material thickness for calculating the material length on the winder.
 3. L42 Material length comparison value:
Define the comparison value for the material length on the winder.
- ⇒ The material length on the winder is calculated based on the current and maximum permitted diameter.
- ⇒ When the comparison value for the material length is reached, the corresponding bit is set in the status word of the center winder (L155, bit 9).

Information

During winding, the comparison value is considered to have been reached when the material length has exceeded the comparison value ($L41 > L42$). During unwinding, the comparison value is considered to have been reached when the material length has fallen below the comparison value ($L41 < L42$).

5.7.3.3 Limiting the torque/force using the operating mode

Basic torque/force limiting using the mechanical system takes place in the project configuration of the axis model. As an option, you can parameterize an additional torque/force limit via the operating mode.

1. Select the Drive Based Center Winder application wizard > Command operating mode.
2. J47 Maximum positive torque/force, J48 Maximum negative torque/force:
Enter the maximum permitted positive and negative values for torque/force.

Information

The mechanical limit for torque/force is executed by C03 Maximum positive torque/force and C05 Maximum negative torque/force using the axis model. The additional limit using the operating mode is optional and refers to the values that you defined in the axis model (reference values: C03, C05).

Information

If an analog input serves as the source for the application, parameterize, calibrate and scale the respective analog input as described in [Parameterizing analog inputs](#) [▶ 40].

5.7.3.4 Parameterizing command-specific motion variables

The parameters for the acceleration, deceleration and jerk motion variables are not included as standard in the process data mapping. You can either store the values for the motion variables permanently on the drive controller or add the corresponding parameters to the process data mapping in order to receive the values from the controller.

Information

Before you start parameterizing the operating mode-specific motion variables, parameterize the general motion variables and signal sources. If you obtain set values for velocity, velocity override or torque/force for your drive project from external sources, proceed as described in the chapter [General motion variables and signal sources](#) [▶ 36].

5.7.3.4.1 Storing motion variables: Drive controller

If you want to store the specifications for acceleration, deceleration and jerk permanently on the drive controller, check the default values in the *Command operating mode wizard* and, if necessary, adjust them to your drive project.

- ✓ You have activated command operating mode.
 - ✓ Parameters J44, J45 and J46 are not part of the process data mapping.
 - 1. Select the *Drive Based Center Winder application wizard* > *Command operating mode*.
 - 2. J44 Acceleration, J45 Deceleration, J46 Jerk:
Define the set values for acceleration, deceleration and jerk.
- ⇒ The specifications for acceleration, deceleration and jerk are permanently stored on the drive controller.

Information

The parameters in the *Command operating mode wizard* are written by the controller once there is an online connection between the drive controller and controller and provided that the parameters are part of the process data mapping. In this state, you can read off the values in the parameters that the drive controller receives from the controller. Using parameter J41 Motion-ID, you can identify the ongoing motion task in order to assign the status bit correctly.

5.7.3.4.2 Storing motion variables: Process data mapping

If you want to specify the settings for acceleration, deceleration and jerk via a controller, add the required parameters to both the receive process data of the drive controller and the transmit process data of the controller.

EtherCAT: Supplementing motion variables in PDO mapping

If you want to specify values for motion variables using a controller, supplement the desired parameters in the receive process data of the drive controller.

✓ You have activated command operating mode.

1. Select the EtherCAT wizard > Received process data RxPDO.

2. Coordinate column:

Enter the coordinate of the parameter that you want to apply to the process data mapping in the Coordinate column.

2.1. If you want to obtain the values for acceleration from the controller, enter J44.

2.2. If you want to obtain the values for deceleration from the controller, enter J45.

2.3. If you want to obtain the values for jerk from the controller, enter J46.

⇒ The parameter is applied to the receive process data of the drive controller.

In the Name, Data type and Length columns, your information about the parameters is displayed.

3. Add your changes to the process data mapping also to the transmit process data of the controller.

PROFINET: Supplementing motion variables in PZD mapping

If you want to specify values for motion variables using a controller, supplement the desired parameters in the receive process data of the drive controller.

✓ You have activated command operating mode.

1. Select the PROFINET wizard > Received process data RxPZD.

2. Coordinate column:

Enter the coordinate of the parameter that you want to apply to the process data mapping in the Coordinate column.

2.1. If you want to obtain the values for acceleration from the controller, enter J44.

2.2. If you want to obtain the values for deceleration from the controller, enter J45.

2.3. If you want to obtain the values for jerk from the controller, enter J46.

⇒ The parameter is applied to the receive process data of the drive controller.

In the Name, Data type and Length columns, your information about the parameters is displayed.

3. Add your changes to the process data mapping also to the transmit process data of the controller.

5.7.3.5 Parameterizing the start signal

Define the source for the execute signal in order to start a motion command selected in J40 in command operating mode.

1. Select the Drive Based Center Winder application > Data sources > Application digital signals: Data source.
2. I100 Source execute:
 - 2.1. If a digital input (direct or inverted) acts as the source, select the corresponding input.
 - 2.2. If the control word I210 of the application acts as the source, select 2: Parameter.
⇒ Bit 0 of the control word is set as the data source.

5.7.3.6 Parameterizing the continue signal

To use the continue function to resume an interrupted movement command, configure the source of the continue signal. If you do not use the continue function, select a new command using J40 and start it using the start signal (execute).

You can find more information on the continue function, continuable motion commands and reasons for canceling under Continue function.

1. Select the Drive Based Center Winder application > Command operating mode > Operating mode digital signals: Data source.
2. J38 Source continue:

To use the continue function to resume interrupted motion commands, select the source for the continue signal.

 - 2.1. If a digital input (direct or inverted) acts as the source, select the corresponding input.
 - 2.2. If the control byte J37 for the command operating mode acts as the source, select 2: Parameter.
⇒ Bit 0 of the control byte is set as the source.

6 More on Drive Based Center Winder?

The following chapters summarize the important terms, modules and relationships concerning Drive Based Center Winder.

6.1 Drive Based Center Winder – Concept

Applications such as Drive Based Center Winder, which calculate and adjust the motions in the drive itself, are referred to as drive-based systems. They are either networked via a fieldbus or obtain signals and set values using analog and digital hardware inputs.

The Drive Based Center Winder application provides you with a standard set of motion commands based on PLCopen, which is supplemented by your own motion commands and thus offers flexible drive-based motion control for the position, velocity and torque/force control types.

The motion commands are combined into corresponding operating modes for different applications. Depending on the selected operating mode, the motion variables required for parameterizing individual motion profiles, such as set or limit values, are recorded.

Based on all parameterized data, the motion core finally calculates an individual motion profile. Specified set values are transmitted to the control cascade, which in turn activates the motor.

Additional wizards such as control panels or jog mode help with commissioning and the configuration test or are designed for emergency operation.

The following graphic shows the components and configuration steps for the Drive Based Center Winder application. The elements shown in a lighter shade are optional.

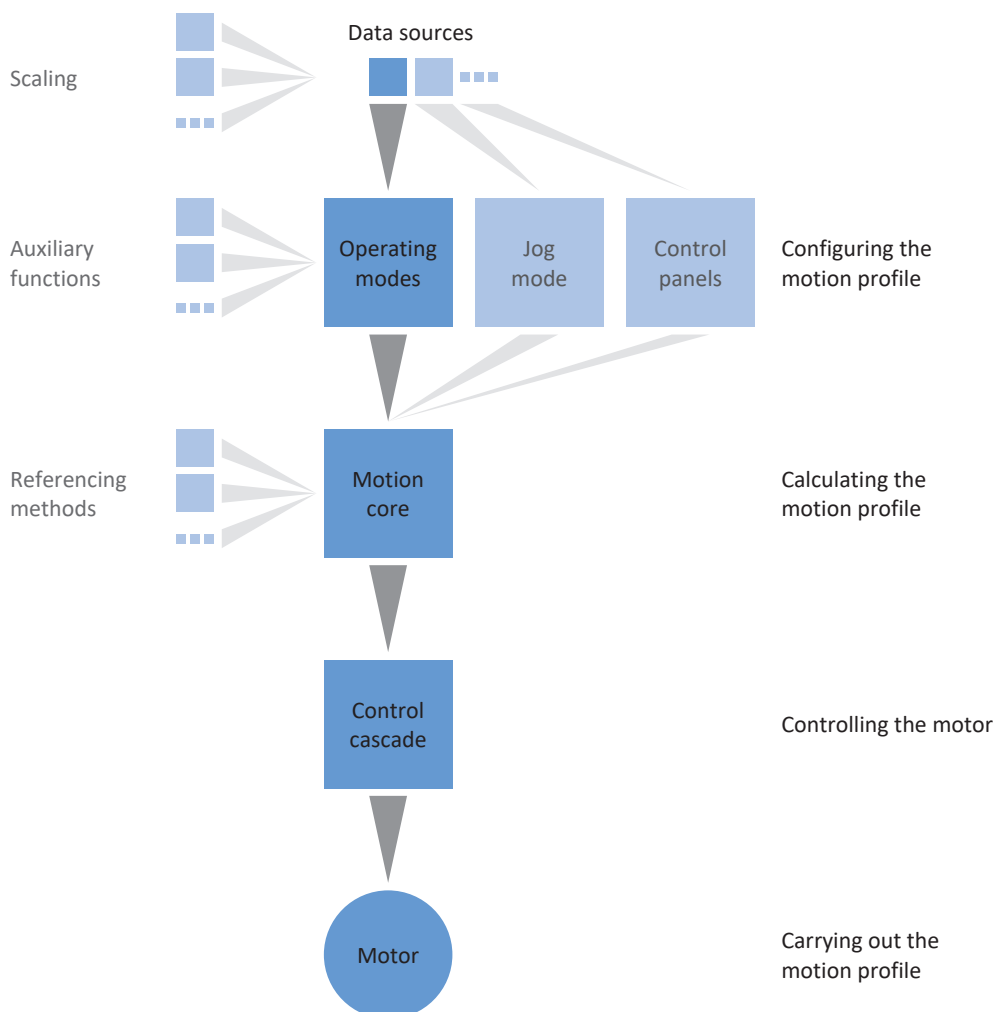


Fig. 17: Components and configuration steps

6.1.1 Operating modes

The operating modes of the Drive Based Center Winder application involve command sets bundled by application for configuring individual motion profiles for production operation.

Thanks to flexible, user-defined adjustment options for the operating modes, the Drive Based Center Winder application offers a compact – yet extremely variable – scope of functions that is suitable for a wide range of application cases in drive technology. After selecting the suitable operating mode for the respective application case, users concentrate just on parameterizing the most important sequences for their application.

Note that a drive controller can only process one operating mode per axis.

6.1.1.1 Center winder

Center winder operating mode is reduced to the 30: MC_Winder motion command, which is essential for winding. It is used to calculate the set values for the center winder according to the selected control method.

The set and actual values for motion variables, such as the material tensile force or material velocity, can be taken into account either by a controller via fieldbus or via the analog inputs, depending on the drive controller series.

Typical application examples are winding applications such as winding, unwinding or rewinding materials such as plastic, wire, textiles or paper.

6.1.1.2 Command

Command operating mode enables a drive controller to run parameterizable motions. In this process, a range of motion commands are processed that correspond to the behavior of the motion control blocks of the PLCopen standard.

A controller coordinates the time sequences by selecting motion commands based on PLCopen, such as MC_MoveAbsolute (move to absolute set position) or MC_MoveRelative (move relative to actual position).

Parameters such as set position, velocity or torque limit can be defined individually.

Typical application examples are individual axis movements that are communicated by a controller (PLC) to the drive controller.

6.1.2 Jog mode

For commissioning, emergency operation and maintenance or repair work, the manufacturer-specific jog mode (manual movement) is available. Using jog mode, you can move the drive independently of the controller, for example.

You can use jog mode either through the operating unit of the SD6 drive controller, the jog control panel or a controller that applies the manual movement.

6.1.3 Control panels

The control panels are special wizards in DriveControlSuite, which you can use to take control of the axis. With the help of the control panels, you can manually release and move an axis even if the drive controller has no operating unit or is difficult to access.

Using control panels, you can check the connection wiring, the project configuration of your physical axis model or the parameterization of your application in the respective operating mode before you switch to normal operation.

The following control panels are available:

- Jog control panel is used to check the projected axis model in jog mode.
- Control panel motion provides you with a standard set of motion commands based on PLCopen. Via the control panel, independent of the application and fieldbus interface, you can parameterize a motion profile directly for the motion core of the axis in order to check the basic functions of the drive controller.

Because control panels override normal operation, they can be activated only with a deactivated enable signal and should be operated by experienced users only.

6.1.4 Motion core

Based on the projected and parameterized data, the motion core calculates a motion profile and associated detail movements as a basis for the drive controller as well as mandatory set values for the control cascade.

6.1.5 Data sources

The signals that activate a drive controller can be obtained from different data sources.

Each of the possible operating modes has a set of set values that is permanently stored in the software. Furthermore, signals exist for the motion start or motion limits or velocity specifications that generally come from external data sources.

A fieldbus commonly acts as the signal source, though analog or digital hardware inputs or even a mixed operation made up of the above-listed data sources are also possible.

Values that are obtained from external data sources are usually adapted to the stored reference values automatically, i.e. calibrated and calculated with scaling.

6.1.5.1 Analog inputs

The analog inputs of the drive controller can serve as sources for set and actual values of the application in your drive project if, for example, you use sensors to measure motion variables such as velocities or torques/forces.

The available connections vary depending on the series and, if applicable, the terminal module of the drive controller.

For more information on the available connections, refer to the manual of the respective drive controller (see [Detailed information](#) [▶ 164]).

Information

If an analog input serves as the source for the application, parameterize, calibrate and scale the respective analog input as described in [Parameterizing analog inputs](#) [▶ 40].

Analog input AI1

Depending on whether analog input AI1 is used as a voltage source or current source, the following continuous function charts serve as examples (operating mode: F116).

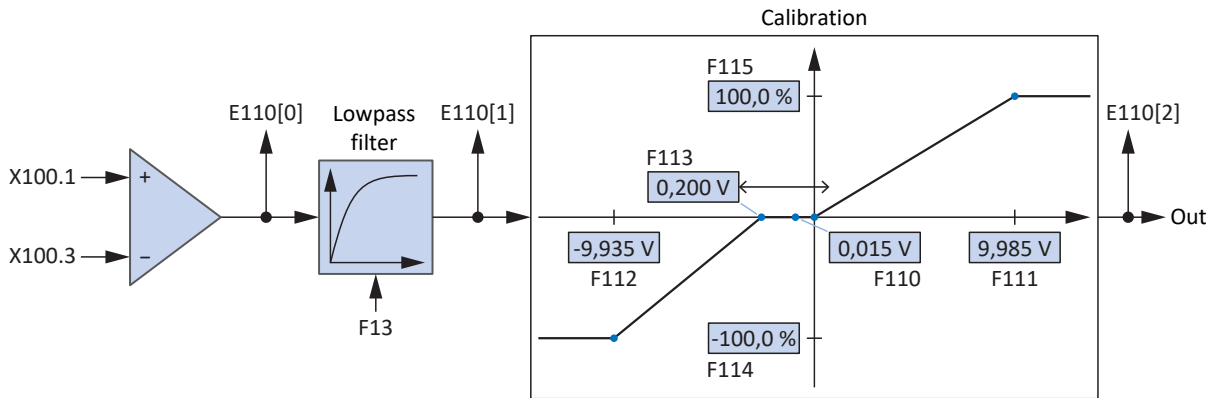


Fig. 18: Continuous Function Chart: analog input AI1 (F116 = 0: -10V to 10V)

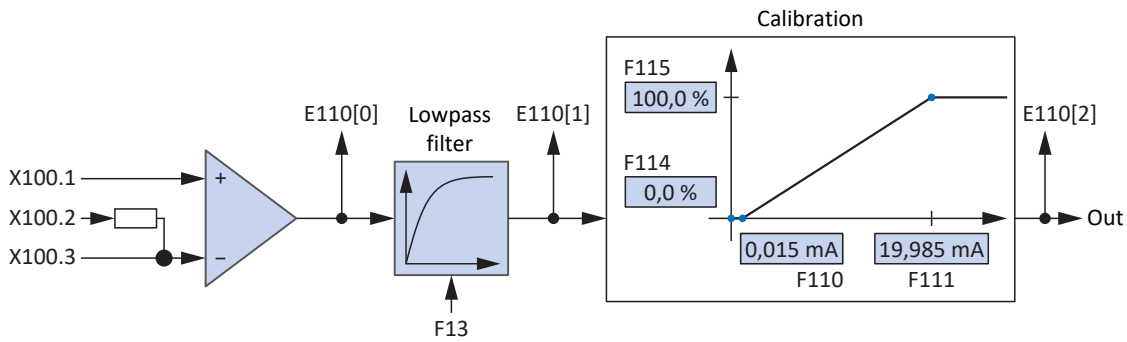


Fig. 19: Continuous Function Chart: analog input AI1 (F116 = 1: 0 to 20mA)

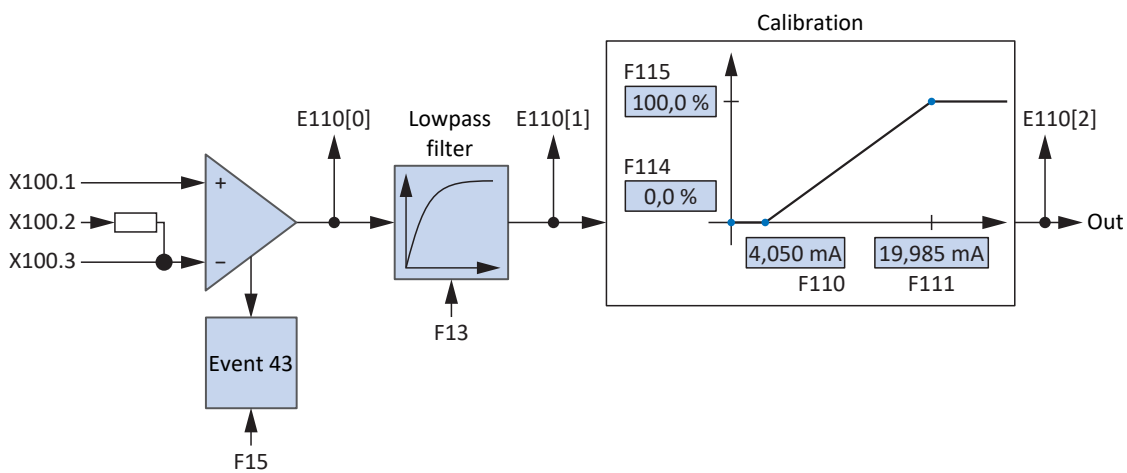


Fig. 20: Continuous Function Chart: analog input AI1 (F116 = 2: 4 to 20mA)

Analog input AI2

For analog input AI2 as a current source, the following continuous function chart serves as an example.

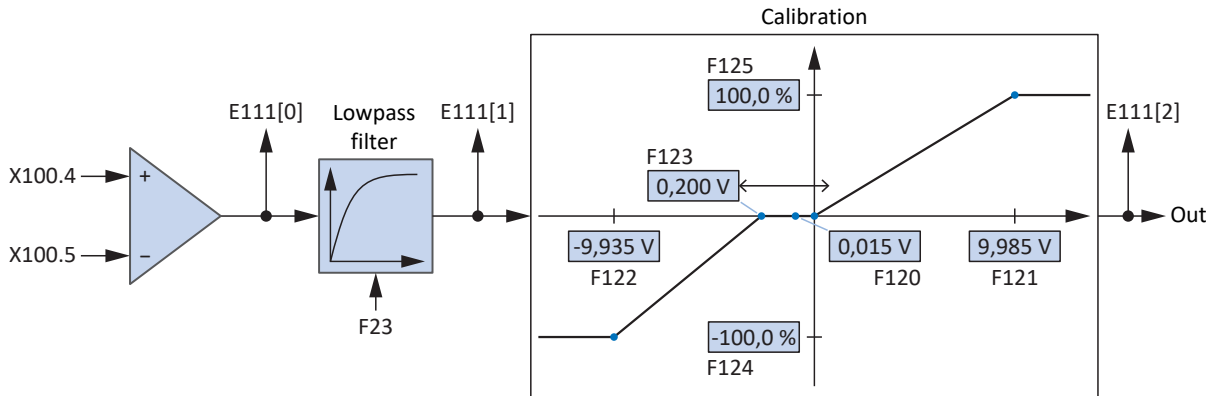


Fig. 21: Continuous Function Chart: analog input AI2

Analog input AI3

For analog input AI3 as a current source, the following continuous function chart serves as an example.

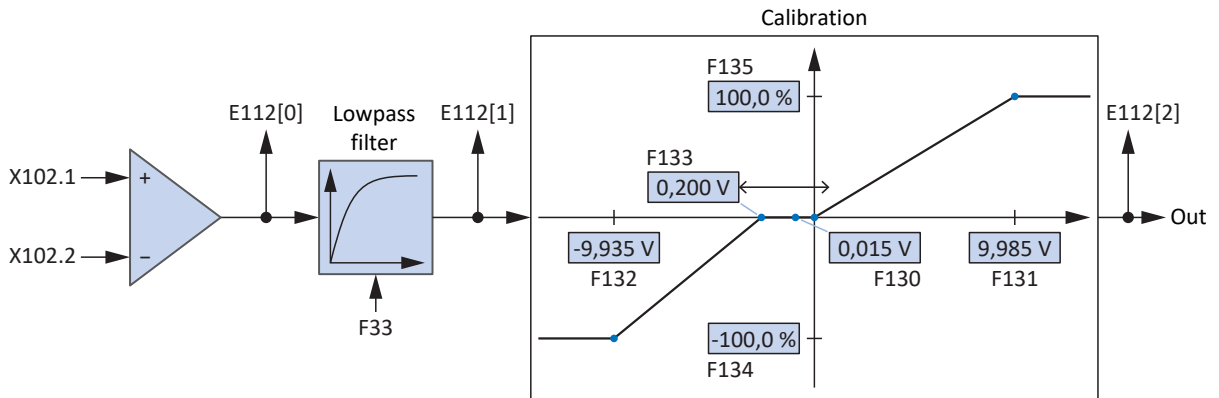


Fig. 22: Continuous Function Chart: analog input AI3

6.1.6 Additional functions

Each of the available operating modes can be expanded by drive-based additional functions. For example, these offer convenient monitoring of process variables such as position, velocity or torque/force (cams, comparators) or control of external process variables (PID controller).

6.1.6.1 Additional counter function

The additional counter function in Drive Based type applications provides you with up to 4 independent counters with which you can implement smaller automation tasks directly in the drive controller, such as direct or indirect control of the digital outputs.

Function

For each counter, you define a comparison value, a digital signal for increasing the counter reading and a digital signal for resetting the counter reading (comparison value: N41; increase source: N43; reset source: N46). With each rising edge of the counter signal, the counter reading is increased by 1 until the comparison value is reached (counter reading: N44). When the comparison value is reached, a status signal is issued and further counter signals are ignored until the counter reading is reset or the comparison value is increased (status: N42).

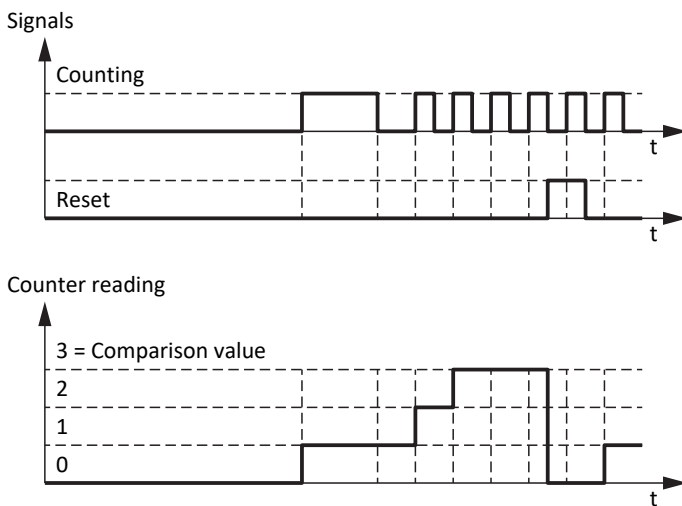


Fig. 23: Additional counter function: Example

The digital inputs of the drive controller (direct or inverted), parameters with the BOOL data type or individual bits of parameters with the BYTE, WORD or DWORD data type (example bit addressing: E49.4 for Switch on inhibit reason = STO) can serve as the source for the signals for increasing and resetting the counter status. The reset signal has priority and is executed immediately; as long as it is active, the counter reading remains at 0 and rising edges to increase the counter reading are ignored.

6.1.6.1.1 Parameterizing counters

To parameterize the additional counter function, proceed as described below.

1. Select the relevant drive controller in the project tree and click on the desired projected axis in the Project menu > Wizard area.
2. Select the Drive Based Center Winder application wizard > Additional functions.
3. Activate the Counter option.
⇒ The additional function is activated and the associated wizards and parameters are displayed.
4. Select the Drive Based Center Winder application wizard > Additional functions > Counters.
5. Number:
Select the desired counter and activate it using the corresponding option.
⇒ The associated parameters are displayed.
6. N41 Counter comparison value:
Define the comparison value.
7. N43 Source counter:
Select the source for the signal that increases the counter reading by 1 until the comparison value is reached.
 - 7.1. If a parameter is the source, select 2: Parameter.
 - 7.2. If a digital input (direct or inverted) acts as the source, select the corresponding input.
8. N45 Counter indirect reading:
If a parameter is used as the source for increasing the counter, define the desired coordinate, if necessary with bit addressing.
9. N46 Source reset counter reading:
Select the source for the signal that resets the counter reading to 0.
 - 9.1. If a parameter is the source, select 2: Parameter.
 - 9.2. If a digital input (direct or inverted) acts as the source, select the corresponding input.
10. N47 Reset counter reading via parameter:
If a parameter is used as the source for resetting the counter, define the desired coordinate, if necessary with bit addressing.

6.1.6.1.2 Parameterizing counters: Examples

For example, you can use the additional counter function to control the digital outputs directly by reaching the comparison value.

Controlling a digital output directly

To control a digital output directly via the counter, you can use the status of the counter as a source.

1. Activate the additional counter function.
2. Select the Counters wizard.
3. Parameterize the counter according to your application case.
4. Select the status of the counter as the source for the desired digital output (e.g. DO1: F61 = N42).
⇒ The digital output is controlled directly via the status of the counter.

6.1.6.2 Additional motor potentiometer function

In Drive Based Center Winder type applications, the additional motor potentiometer (MOP) function provides you with the option of adjusting an electromechanical potentiometer, for example for set value specification, for direct control of the analog outputs or for indirect control of the digital outputs.

Function

The motor potentiometer can be adjusted continuously via digital up and down signals, for example for specifying set values for axis movements via the output value (output value: G373). The output value can be limited by a maximum positive and a maximum negative value (limit: G362, G363; limit value reached: G374). Either the digital inputs of the drive controller or the graphical programming can serve as the source for the up and down signals (source: G364, G365). The initialization signal has priority over the up and down signals and is executed immediately; the initialization value is freely definable (source: G369; value: G366).

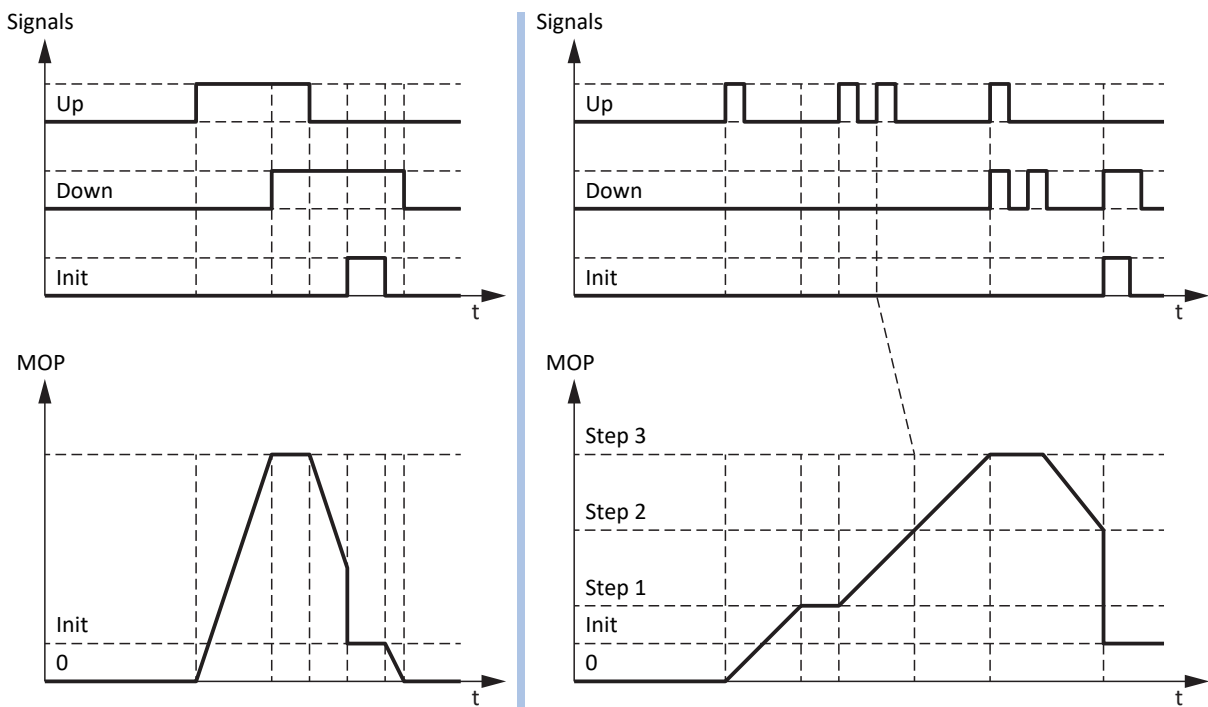


Fig. 24: Motor potentiometer: Linear and stepwise calculation

You can use the operating mode of the motor potentiometer to influence both the calculation of the output value and the storage behavior (operating mode: G368). The output value is calculated either linearly or in steps and can be saved either with an active enable signal, prior to the next restart of the drive controller or in non-volatile memory. The parameterized ramp (ramp: G361) applies to both the linear and stepwise calculations. With a linear calculation, the output value is changed for the duration of the incoming up or down signal. With a stepwise calculation, the output value is changed by the parameterized increment at signal input (increment: G367). If another up or down signal is received while the set value has not yet been reached, it is adjusted by the corresponding increment. If the up and down signals are active at the same time, the output value remains unchanged in both operating modes.

6.1.6.2.1 Parameterizing motor potentiometers

To parameterize the additional motor potentiometer function, proceed as described below.

1. Select the relevant drive controller in the project tree and click on the desired projected axis in the Project menu > Wizard area.
2. Select the Drive Based Center Winder application wizard > Additional functions.
3. Activate the Motor potentiometer option.
 - ⇒ The additional function is activated and the associated wizards and parameters are displayed.
4. Select the Drive Based Center Winder application wizard > Additional functions > Motor potentiometer.
5. G361 Motor potentiometer ramp:
Define the ramp for calculating the output value.
6. G362 Motor potentiometer positive maximum value, G363 Motor potentiometer negative maximum value:
Define the maximum permissible positive and negative output values of the motor potentiometer.
7. G364 Source motor potentiometer up, G365 Source motor potentiometer down:
Select the sources for the up and down signals of the motor potentiometer.
 - 7.1. If the graphical programming is used as the source, select 2: Parameter.
 - 7.2. If a digital input (direct or inverted) acts as the source, select the corresponding input.
8. G368 Motor potentiometer operating mode:
Select the desired operating mode for the motor potentiometer.
 - 8.1. To calculate the output value of the motor potentiometer linearly, select 0: Linear, 2: Linear (remanent) or 4: Linear (enable-dependent), depending on the desired storage behavior.
 - 8.2. To calculate the output value of the motor potentiometer in steps, select 1: Step-by-step, 3: Step-by-step (remanent) or 5: Step-by-step (enable-dependent), depending on the desired storage behavior.
9. G367 Motor potentiometer increment:
If you calculate the output value of the motor potentiometer in steps, define the desired increment.
10. G366 Motor potentiometer initialization value:
Optionally define the desired initialization value.
11. G369 Source motor potentiometer initialization:
Select the source for the initialization signal of the motor potentiometer.

6.1.6.2.2 Parameterizing motor potentiometers: Examples

For example, you can use the additional motor potentiometer function to specify set values for the velocity, velocity override or torque/force and thus control the axis directly in local operation, e.g. during commissioning, if the controller fails or if the machine has no controller at all. Using the motor potentiometer, you can also control the analog outputs directly or the digital outputs indirectly (using the additional REAL32 comparator function).

Information

In Drive Based Center Winder applications, you can use the motor potentiometer to control analog and digital outputs as well as for set value specification in command operating mode if you are using 4: MC_MoveVelocity, 8: MC_MoveSpeed or 9: MC_TorqueControl as the motion command. When using the 30: MC_Winder motion command, the set value specification for the set material velocity L405 or for the associated override L07 is not provided using the motor potentiometer.

Controlling an analog output directly

To control an analog output directly, you can use the output value of the motor potentiometer as the source.

1. Activate the additional motor potentiometer function.
 2. Select the Motor potentiometer wizard.
 3. Parameterize the motor potentiometer according to your application case.
 4. Select the Analog output 1 or Analog output 2 wizard.
 5. F40 AO1 source, F50 AO2 source:
Select the output value of the motor potentiometer G373 as the source for the desired analog output AO1 or AO2.
 6. F41 AO1 reference value source, F51 AO2 reference value source:
If necessary, delete the reference value of the desired analog output.
- ⇒ The analog output is controlled directly via the motor potentiometer.

Specifying a set velocity (external velocity)

To specify a set velocity via the motor potentiometer, select its output value as the source for the external velocity and use this as the set value source for the motion command.

1. Activate the additional motor potentiometer function.
 2. Select the **Motor potentiometer wizard**.
 3. Parameterize the motor potentiometer according to your application case.
 4. Select the **External velocity: Data source wizard**.
 5. **G461 Source external velocity:**
Select 5: Indirect read parameter G811.
 6. **G811 Indirect read external velocity:**
Select the output value of the motor potentiometer G373 as the source for the external velocity.
 - ⇒ The output value of the motor potentiometer serves as the source for the external velocity.
 - ⇒ The external velocity can be provided as a set value specification by accessing parameter G462.
 7. For the command operating mode, parameterize the motion command and set value source via parameters J40 and J52.
 - 7.1. **J40 Command:**
Select the motion command 4: MC_MoveVelocity or 8: MC_MoveSpeed.
 - 7.2. **J52 Source velocity 1:**
Select 1: Parameter G462 as the source for the external velocity.
- ⇒ The output value of the motor potentiometer serves as the set value specification; the conversion to a set velocity is carried out using maximum permissible speed I10.

Specifying a set velocity (external additional velocity)

To additionally regulate the set velocity via the motor potentiometer, select its output value as the source for the external additional velocity and use this as the set value source for the motion command.

✓ You are using command operating mode or velocity, torque/force operating mode.

1. Activate the additional motor potentiometer function.
 2. Select the **Motor potentiometer wizard**.
 3. Parameterize the motor potentiometer according to your application case.
 4. Select the **External additional velocity: Data source wizard**.
 5. **G464 Source external additional velocity:**
Select 5: Indirect read parameter G811.
 6. **G812 Indirect read additional external velocity:**
Select the output value of the motor potentiometer G373 as the source for the external additional velocity.
 - ⇒ The output value of the motor potentiometer serves as the source for the external additional velocity.
 - ⇒ The external velocity can be provided as a set value specification by accessing parameter G465.
 7. For the command operating mode, parameterize the motion command and set value source via parameters J40 and J54.
 - 7.1. **J40 Command:**
Select the motion command 4: MC_MoveVelocity or 8: MC_MoveSpeed.
 - 7.2. **J54 Source velocity 2:**
Select 1: Parameter G465 as the source for the external additional velocity.
- ⇒ The output value of the motor potentiometer serves as the set value specification; the conversion to a set velocity is carried out using maximum permissible speed I10.

Specifying the velocity override

To specify a velocity override via the motor potentiometer, select its output value as the set value source and apply the velocity override to the motion command.

1. Activate the additional motor potentiometer function.
 2. Select the **Motor potentiometer wizard**.
 3. Parameterize the motor potentiometer according to your application case.
 4. Select the **Velocity override: Data source wizard**.
 5. **G467 Source velocity override:**
Select 5: Indirect read parameter G813.
 6. **G813 Indirect read velocity override:**
Select the output value of the motor potentiometer G373 as the source for the velocity override.
 - ⇒ The output value of the motor potentiometer serves as the source for the velocity override.
 - ⇒ The velocity override can be provided as a set value specification by accessing parameter G468.
 7. For the command operating mode, parameterize the motion command and set value source via parameters J40 and J51.
 - 7.1. **J40 Command:**
Select the motion command 4: MC_MoveVelocity or 8: MC_MoveSpeed.
 - 7.2. **J51 Source velocity override:**
Select 1: Parameter G468 as the source for the velocity override.
- ⇒ The output value of the motor potentiometer is used as the set value specification for the velocity override.

Specifying the set torque/set force

To specify a set torque/force via the motor potentiometer, select its output value as the set value source for the motion command.

1. Activate the additional motor potentiometer function.
 2. Select the **Motor potentiometer wizard**.
 3. Parameterize the motor potentiometer according to your application case.
 4. Select the **Set torque/force, velocity bracketing: Data source wizard**.
 5. **G470 Source torque/force reference:**
Select 5: Indirect read parameter G814.
 6. **G814 Indirect read torque/force reference:**
Select the output value of the motor potentiometer G373 as the source for the set torque/force.
 - ⇒ The output value of the motor potentiometer serves as the source for the set torque/force.
 - ⇒ The set torque/force can be provided as a set value specification by accessing parameter G471.
 7. For the command operating mode, parameterize the motion command and set value source via parameter J40.
 - 7.1. **J40 Command:**
Select the 9: MC_TorqueControl motion command.
 - ⇒ The parameterized set value source is applied automatically; no further settings are necessary.
- ⇒ The output value of the motor potentiometer serves as the set value specification for the set torque/force.

6.1.6.3 Additional fieldbus-controlled analog output function

In Drive Based Center Winder type applications, the additional fieldbus-controlled analog output function allows you to control the respective analog output directly via a controller, e.g. for operating simple actuators such as pumps, fans, or valves. The additional function can be used to specify an individual set value for each analog output (enable: G303; set value: G306, G309). When fieldbus communication is active, the set value point is written by the controller via the process data mapping (G304, G307). In addition, a fallback value can be defined which supplies the set value at the respective analog output if fieldbus communication fails (G305, G308).

6.1.6.3.1 Parameterizing a fieldbus-controlled analogue output

To parameterize the additional function for controlling analog outputs via fieldbus, proceed as described below.

Information

To use the additional function for controlling the analog outputs via fieldbus, expand the process data mapping of the application, depending on the fieldbus used. Further information on process data mapping can be found in the relevant fieldbus manual.

Parameterizing fieldbus-controlled analogue output AO1

1. Select the relevant drive controller in the project tree and click on the desired projected axis in the Project menu > Wizard area.
2. Select the Drive Based Center Winder application wizard > Additional functions.
3. Activate the Fieldbus-controlled analog output 1 option.
⇒ The additional function is activated and the associated wizard is displayed.
4. Select the Drive Based Center Winder application wizard > Additional functions > Fieldbus-controlled analog output 1.
5. G305 Set value AO1 fallback:
Define the fallback value used to control the analog output if fieldbus communication fails.
6. Select the Terminals wizard > Analog output 1.
 - 6.1. F40 AO1 source:
For set value specification via fieldbus, select parameter G306 as the source for analog output AO1.
 - 6.2. F41 AO1 reference value source:
If necessary, delete the reference value of analog output AO1.
7. For fieldbus communication via CANopen, add parameter G304 to the receive process data RxPDO A225 – A228.
8. For fieldbus communication via EtherCAT, add parameter G304 to the receive process data RxPDO A225 – A228 and create a new ESI file for the controller if necessary.
9. For fieldbus communication via PROFINET, add parameter G304 to the receive process data RxPZD A90 – A91.

Parameterizing fieldbus-controlled analogue output AO2

1. Select the relevant drive controller in the project tree and click on the desired projected axis in the Project menu > Wizard area.
2. Select the Drive Based Center Winder application wizard > Additional functions.
3. Activate the Fieldbus-controlled analog output 2 option.
⇒ The additional function is activated and the associated wizard is displayed.
4. Select the Drive Based Center Winder application wizard > Additional functions > Fieldbus-controlled analog output 2.
5. G308 Set value AO2 fallback:
Define the fallback value used to control the analog output if fieldbus communication fails.
6. Select the Terminals wizard > Analog output 2.
 - 6.1. F50 AO2 source:
For set value specification via fieldbus, select parameter G309 as the source for analog output AO2.
 - 6.2. F51 AO2 reference value source:
If necessary, delete the reference value of analog output AO2.
7. For fieldbus communication via CANopen, add parameter G307 to the receive process data RXPDO A225 – A228.
8. For fieldbus communication via EtherCAT, add parameter G307 to the receive process data RXPDO A225 – A228 and create a new ESI file for the controller if necessary.
9. For fieldbus communication via PROFINET, add parameter G304 to the receive process data RxPZD A90 – A91.

6.2 Center winder – Concept

A system that allows winding, unwinding or rewinding of materials such as plastic, wire, textiles or paper is called a winder. There are various winding processes for implementing winding applications. In the center winder, the winding is driven by a central shaft with an attached winder case onto which material is wound or from which material is unwound.

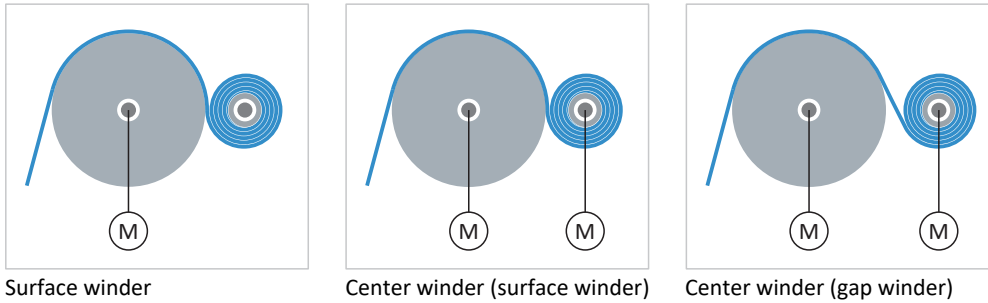


Fig. 25: Center winder: Types

When material is wound or unwound, the diameter of the winding changes. The winding diameter must be measured by a sensor or calculated by the drive in order to keep the material tensile force, material velocity or dancer position constant. If a sensor is not used, the drive controller calculates the winding diameter from the material velocity. The motion variables which are relevant depend on the selected winding method (open-loop or closed-loop control process) of the center winder.

6.2.1 Winding methods

The winding method is the open-loop or closed-loop control process of the center winder that influences the calculation of the main set values, of which the winding diameter is of central importance. Depending on the winding method, it may be necessary to parameterize different motion variables and possibly the PID controller.

	Velocity control (open loop)	Velocity control	Tensile force control (open loop)	Tensile force control (closed loop) with torque correction	Tensile force control (closed loop) with velocity correction	Dancer position control with velocity correction
Diameter	✓	✓	✓	✓	✓	✓
Set material velocity	✓	✓	✓	✓	✓	✓
Actual material velocity	(✓)	✓	(✓)	(✓)	(✓)	(✓)
Set material tensile force	–	–	✓	✓	✓	–
Actual material tensile force	–	–	–	✓	✓	–
Dancer position	–	–	–	–	–	✓
PID controller	–	✓	–	✓	✓	✓
(✓): Required if L20 = 0: Diameter calculator						

Tab. 4: Winding methods: Required motion variables

Depending on the objective of your application, the following winding methods are available in the Drive Based Center Winder application.

6.2.1.1 Velocity control (open loop), velocity control (closed loop)

With open-loop and closed-loop velocity control of the center winder, the set material velocity is specified as the main motion variable. The actual material velocity must be known for closed-loop velocity control, while open-loop velocity control can also be used without additional measuring systems such as sensors.

These two winding methods are particularly suitable for simple applications where the material velocity is more important than the accuracy of the material tensile force or a uniform winding result (e.g. winding crane rope).

Velocity control (open loop)

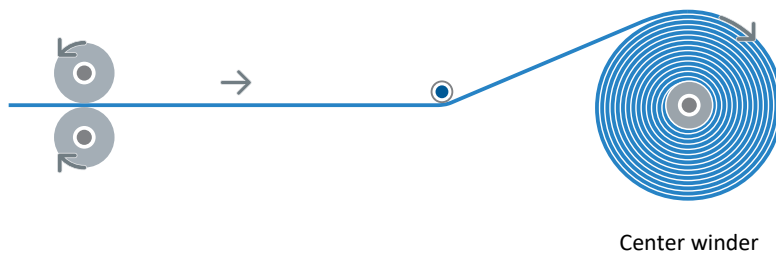


Fig. 26: Structure: Center winder with open-loop velocity control

With open-loop velocity control, the axis follows the specified set material velocity; parameterization of the PID controller is generally not required. Parameterization of the actual material velocity is only necessary if the winding diameter is calculated instead of measured.

If the actual material velocity must be known for the calculation of the winding diameter, closed-loop velocity control can also be used instead of open-loop velocity control and the PID controller can be parameterized to achieve a more uniform winding result.

Velocity control (closed loop)

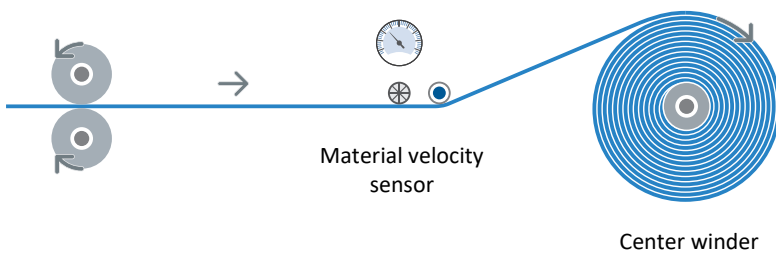


Fig. 27: Structure: Center winder with closed-loop velocity control

With closed-loop velocity control, the actual material velocity is adjusted to the specified set material velocity by correcting the set velocity of the motor using the manipulated variable of the PID controller.

The material velocities are scaled using L358 at the input of the PID controller (units: mm/s → %) before they are written to the set value L360 and actual value L361 of the PID controller. The manipulated variable L366 of the PID controller is scaled using L358 (unit: % → mm/s) before it is added to the set material velocity.

Set velocity

The set velocity L102 of the axis is calculated using the specified set material velocity L420 and winding diameter L29 and filtered using the time constant in L104. With closed-loop velocity control, the PID controller manipulated variable L366 is also taken into account when calculating L102.

Set torque

The set torque L103 of the axis is used for the torque feedforward control of the center winder in order to compensate for the friction and mass moment of inertia of the axis. The maximum permitted set torque is not defined by the application (D232, D233), but by the axis model (C03, C05).

6.2.1.2 Tensile force control (open loop), tensile force control (closed loop)

For open-loop and closed-loop tensile force control of the center winder, the set material tensile force and set material velocity are specified as the main motion variables. The actual material tensile force must be known for closed-loop tensile force control, while open-loop tensile force control can also be used without additional measuring systems such as sensors.

These winding methods are particularly suitable for applications where velocity is not important, but the material tensile force or a uniform winding result is (e.g. winding foil). Only the actual material tensile force needs to be known for closed-loop tensile force control, whereas open-loop tensile force control can also be used without additional measuring systems such as sensors.

With both open-loop and closed-loop tensile force control, the material tensile force can also be modified, such as with the aid of a diameter-dependent override (winding hardness curve).

Tensile force control (open loop)

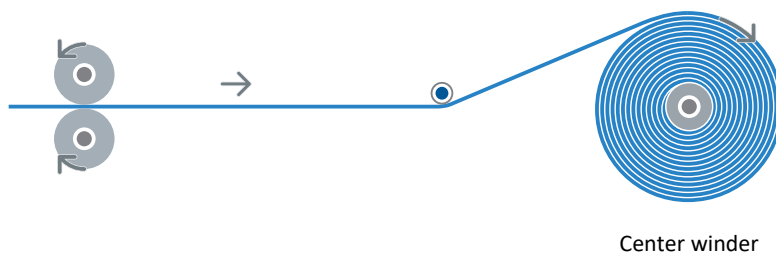


Fig. 28: Structure: Center winder with open-loop tensile force control

With open-loop tensile force control of the center winder, the axis follows the specified set material tensile force; parameterization of the PID controller is generally not required. Parameterization of the actual material velocity is only necessary if the winding diameter is calculated instead of measured.

In order to achieve a uniform winding result, it is also essential to compensate for the static and dynamic friction of the axis (L310). Compensation for the constant and variable mass inertia of the axis is optional (L300).

Tensile force control (closed loop)

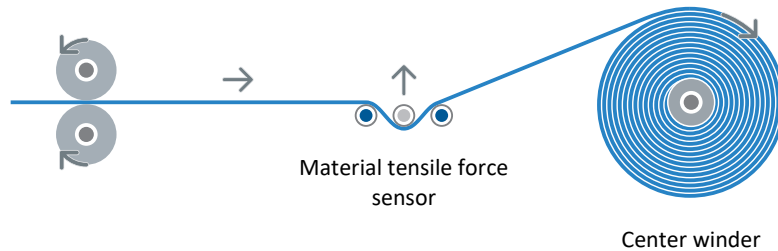


Fig. 29: Structure: Center winder with closed-loop tensile force control

With closed-loop tensile force control of the center winder, the actual material tensile force is adjusted to the specified set material tensile force. To adjust the actual material tensile force to the set material tensile force, the closed-loop control corrects either the set torque of the axis (torque correction) or set velocity of the axis (velocity correction).

With closed-loop tensile force control, the material tensile forces are scaled using L357 at the input of the PID controller (units: N → %) before they are written to the set value L360 and actual value L361 of the PID controller. Depending on the selected winding method, the manipulated variable L366 of the PID controller is scaled using L357 (unit: % → N) or L358 (unit: % → mm/s) before it is added to the set material tensile force (torque correction) or set material velocity (velocity correction).

Set velocity

The set velocity L102 of the axis is calculated using the specified set material velocity L420 and winding diameter L29 and filtered using the time constant in L104. For closed-loop tensile force control with velocity correction, the PID controller manipulated variable L366 is also taken into account when calculating L102.

For both open-loop and closed-loop tensile force control with torque correction, the set material velocity L420 must be increased with the aid of a velocity override L07 to create a difference between the actual and set velocities so that the axis remains in closed-loop tensile force control.

Set torque

For both open-loop and closed-loop tensile force control with torque correction, the set torque L103 of the axis is calculated using the specified set material tensile force L510 and winding diameter L29 and filtered using the time constant in L495. For closed-loop tensile force control with torque correction, the PID controller manipulated variable L366 is also taken into account when calculating L103.

For open-loop tensile force control, the compensation for friction and mass inertia L300 and L310 is essential for a uniform winding result; for closed-loop tensile force control with torque correction, the compensation primarily serves to relieve the PID controller. In both winding methods, the maximum permitted set torque is defined by the application (D232, D233).

For closed-loop tensile force control with velocity correction, the set torque L103 of the axis is only used for the torque feedforward control of the center winder in order to compensate for the friction and mass moment of inertia of the axis. The maximum permitted set torque is not defined by the application (D232, D233), but by the axis model (C03, C05).

6.2.1.3 Dancer position control

For dancer position control of the center winder, the set dancer position and set material velocity are specified as the main motion variables. The actual dancer position must be known for dancer position control.

This winding method is particularly suitable for applications where there is a dancer that ensures a constant material tensile force and is held in the same position by the center winder. The actual dancer position is measured by an encoder or potentiometer and set to the specified set dancer position using the PID controller.

Dancer position control

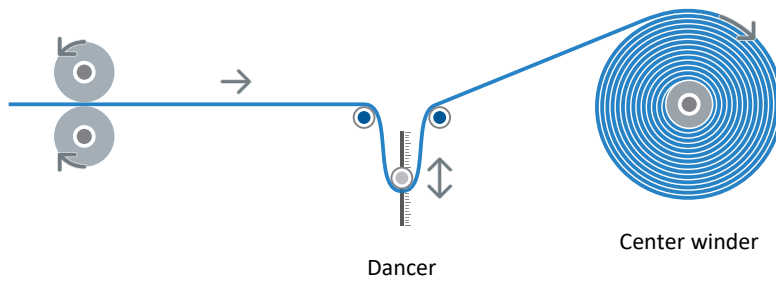


Fig. 30: Structure: Center winder with dancer position control

For dancer position control, the actual dancer position L96 is adjusted to the specified set dancer position L95 by correcting the set velocity of the motor using the manipulated variable of the PID controller.

Dancer positions are scaled using L359 at the input of the PID controller (unit: mm → %) before they are written to the set value L360 and actual value L361 of the PID controller. The manipulated variable L366 of the PID controller is scaled using L358 (unit: % → mm/s) before it is added to the set material velocity for velocity correction.

Parameterization of the actual material velocity is only necessary if the winding diameter is calculated instead of measured.

Set velocity

The set velocity L102 of the axis is calculated using the specified set material velocity L420 and winding diameter L29 and filtered using the time constant in L104. When calculating L102, the PID controller manipulated variable L366 is also taken into account.

Set torque

The set torque L103 of the axis is used for the torque feedforward control of the center winder in order to compensate for the friction and mass moment of inertia of the axis. The maximum permitted set torque is not defined by the application (D232, D233), but by the axis model (C03, C05).

6.2.2 Motion variables

Depending on the application, the material velocity, material tensile force and, if applicable, dancer position are particularly important for the parameterization of Drive Based Center Winder applications. The motion variables which are relevant for your application depend on the selected winding method.

6.2.2.1 Material tensile force

The material tensile force is key for both open-loop and closed-loop tensile force control of the center winder (L00 = 1: Tensile force control (open loop), 2: Tensile force control, torque correction, 3: Tensile force control, velocity correction).

Material tensile force: Source

Depending on the drive controller series, an analog input or fieldbus can be used as the source for the set material tensile force (source: L498). The set material tensile force is filtered with the time constant defined in L495 and the filtered value is displayed in L499.

Depending on the drive controller series, an analog input or fieldbus can be used as the source for the actual material tensile force for closed-loop tensile force control (source: L492). The measured actual material tensile force is filtered with the time constant defined in L489 and the filtered value is displayed in L493.

If an analog input is used as the source for the actual material tensile force or set material tensile force, the values at the analog input AI1 – AI3 are scaled using the maximum permitted set material tensile force L497: 0% at the analog input corresponds to 0 N and 100% corresponds to L497.

Actual material tensile force: Calculation

For closed-loop tensile force control, the actual material tensile force must be measured and specified by an external source; in all other winding methods, the actual material tensile force can be calculated as a purely informative display value.

If no external source is defined (L492 = 0: 0 (zero)), the actual material tensile force is calculated from the torque of the geared motor and the winding diameter (torque: E90; diameter: L29), taking into account the torques for the compensation for the mass inertia and friction of the axis. The calculated actual material tensile force is filtered with a time constant of 100 ms and the filtered value is displayed in L481.

When calculating the actual material tensile force, the actual torque of the geared motor is scaled using the load-side reference value C09 (unit: % → Nm) and then offset against the torques for the compensation for friction and mass inertia of the axis depending on the direction of rotation (L310, L300). If the material is under tension, the result is a positive torque value, which is converted into a linear actual material tensile force based on the current winding diameter.

Information

The actual material tensile force calculated by the drive controller only serves as a display value and is for information purposes only. The calculated actual material tensile force **cannot** be used for closed-loop tensile force control.

Set material tensile force: Mode

The set material tensile force can be modified depending on the current winding diameter; selection is possible either directly via DriveControlSuite or using the control word of the application via fieldbus (mode: L500; control word: L150, bit 5 – 6).

6.2.2.2 Material velocity

The material velocity is important in all winding methods, as the set velocity of the axis is calculated based on the set material velocity and winding diameter. The actual material velocity is required for closed-loop velocity control of the center winder and, if necessary, for the calculation of the winding diameter (L00 = 5: Velocity control; L20 = 0: Diameter calculator).

If L20 = 0: Diameter calculator, the actual material velocity must correspond to the actual velocity of the material directly at the winder; as a result, the winding diameter, and consequently the set torque of the axis, can be calculated exactly for a uniform winding result.

If L00 = 4: Dancer position control, velocity correction, for example, the actual material velocity before the dancer may deviate from the actual material velocity after the dancer.

Material velocity: Source

Depending on the drive controller series, an analog input or fieldbus can serve as the source for the set material velocity (source: L400). The set material velocity is filtered with the time constant defined in L406 and the filtered value is displayed in L420. The sign of the set material velocity L420 defines the winding direction.

Depending on the drive controller series, the source for the actual material velocity can be an analog input, a fieldbus, the set material velocity or the actual velocity of a master encoder (source: L452). The actual material velocity is filtered with the time constant defined in L456 and the filtered value is displayed in L454.

If an analog input is used as the source for the actual material velocity or set material velocity, the values at analog input AI1 – AI3 are scaled using the maximum permitted material velocity L410: 0% at the analog input corresponds to 0 mm/s and 100% corresponds to L410.

Inverting the actual material velocity

If L00 = 5: Velocity control, the actual material velocity L454 and set material velocity L452 must have the same sign, i.e. both the set material velocity and actual material velocity must be positive when winding and both material velocities must be negative when unwinding. The sign of the actual material velocity can be inverted using L458.

6.2.2.3 Dancer position

The dancer position is only important for dancer position control of the center winder (L00 = 4: Dancer position control, velocity correction).

Dancer position: Source

The set dancer position can be specified directly via DriveControlSuite or via fieldbus (source: L95).

Depending on the drive controller series, an analog input or fieldbus can be used as the source for the actual dancer position (source: L90). The actual dancer position is filtered with the time constant defined in L93 and the filtered value is displayed in L94 or L96 depending on the selected source.

If an analog input is used as the source for the actual dancer position, the values at the analog input AI1 – AI3 are scaled using the maximum permitted set dancer position L91[0] – [1] and L92[0] – [1] (unit: % → mm). In L91, the value range at the analog input is defined that is to be converted from a voltage in % to a position in mm according to the defined value range in L92.

If you want to use material tear monitoring, the general value range of the actual dancer position (L92[0] – L92[1]) must be greater than the permitted value range of the set dancer position.

6.2.3 Winding diameter

The winding diameter L29 is an essential part of the Drive Based Center Winder application, as the specified or determined linear motion variables can only be converted into rotational motion variables via the diameter.

The source for the winding diameter can either be a sensor or the diameter calculator of the Drive Based Center Winder application (source: L20).

Depending on the drive controller series, an analog input or fieldbus can serve as the source for the diameter sensor (source: L21).

If the diameter calculator is used as the source, the winding diameter is calculated using the actual material velocity L454 and actual velocity of the motor I88.

The winding diameter is limited by the parameters L03 and L04 to the minimum or maximum permitted winding diameter, which usually corresponds to the empty winder case or full winding.

Diameter calculator: Continuing motion

In order to be able to calculate the winding diameter, the minimum permitted velocity L02 of the diameter calculator must not be undershot. For example, if the diameter falls below L02 due to stopping the axis or changing the winding direction (winding \leftrightarrow unwinding), the diameter calculator outputs the minimum permitted winding diameter L03.

When continuing winding, the diameter calculator may initially provide unstable values when it increases from the minimum permitted winding diameter L03 back to the actual diameter if the minimum permitted velocity L02 is exceeded. To enable the correct calculation of the winding diameter when continuing motion from a standstill, you can either retain the diameter or use a start diameter.

Retaining the diameter

If you retain the last correctly calculated winding diameter before stopping the axis, you can use it after continuing motion from a standstill and when using the diameter calculator temporarily for a more even winding result. This requires that the diameter is not significantly changed manually while the axis is at a standstill, e.g. by replacing the winding with an empty winder case.

Depending on the drive controller series, a digital input or fieldbus can serve as the source for the function for retaining the diameter (source: L28).

Start diameter

You can use the start diameter L31 to specify a suitable winding diameter for the axis at the start of the motion, e.g. after starting the application or when continuing motion from a standstill, even if the full winding has been replaced by an empty winder case in the meantime or vice versa.

The start diameter is particularly important when unwinding with the diameter calculator, as otherwise the minimum permitted winding diameter L03 will be used at the start of the motion until the minimum permitted velocity L02 of the diameter calculator is exceeded.

Depending on the drive controller series, a digital input or fieldbus can be used as the source for activating the start diameter (source: L30).

Diameter change limit

The diameter change limit can be set either via the digital inputs of the drive controller, via DriveControlSuite itself or using the control word of the application via fieldbus (source: L35; control word: L150, bit 3).

Limiting the diameter change optimizes the winding result by only allowing the winding diameter to change in the winding direction, i.e. the diameter may only increase when winding and only decrease when unwinding. Instead of changing the diameter in the incorrect direction, the diameter is retained. For example, diameter changes against the winding direction can occur due to measurement errors when recording the actual values for the diameter calculator or diameter sensor (source: L20).

To reduce diameter jumps when winding or unwinding in the permitted winding direction, a maximum permitted change in winding diameter per second can also be defined (maximum diameter change: L36).

The diameter change limit can be paused for the duration of the Enable-off, e.g. in order to replace a full winder with an empty winder case (or vice versa) during Enable-off, without having to manually deactivate and then reactivate the diameter change limit (parameter: L37). The diameter change limit is automatically continued with the current winding diameter with the subsequent Enable-on.

If the winding direction changes (L420 change of sign), the start diameter is activated (L30 \neq 0: Inactive) or the diameter change limit is deactivated (L35 = 0: Inactive), the L29 corrections to the winding diameter are automatically reset.

6.2.4 Winding direction

The winding direction is determined by the sign of the set material velocity L420. If the set material velocity is positive, the center winder winds up (increasing winding diameter); if the set material velocity is negative, it unwinds (decreasing winding diameter).

The polarity of the center winder L10 defines the direction of interpretation between the winding direction and motor movement, i.e. the relationship between the signs of the set material velocity L420 and set velocity of the motor L102.

DriveControlSuite takes both the winding direction and center winder polarity into account when visualizing the selected winding method (wizard: Center winder).

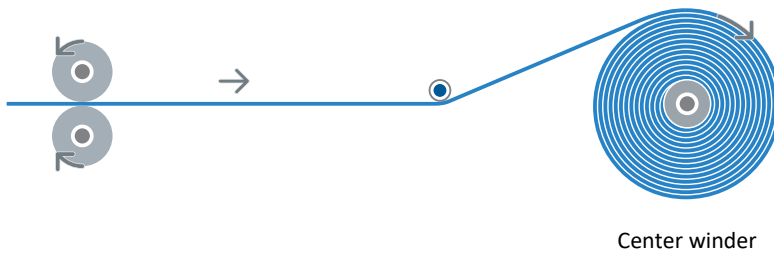


Fig. 31: Center winder: Positive winding (winding from above)

Feature	Parameters	Meaning
Winding direction	L420 = positive	Winding
Center winder polarity	L10 = 0: Positive	The signs of the set velocities are the same (L102 = positive)

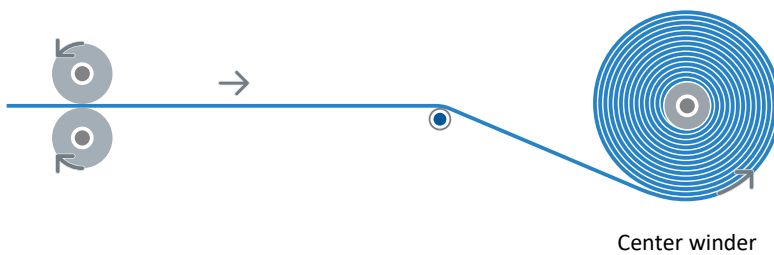


Fig. 32: Center winder: Negative winding (winding from below)

Feature	Parameters	Meaning
Winding direction	L420 = positive	Winding
Center winder polarity	L10 = 1: Negative	The signs of the set velocities are inverted (L102 = negative)

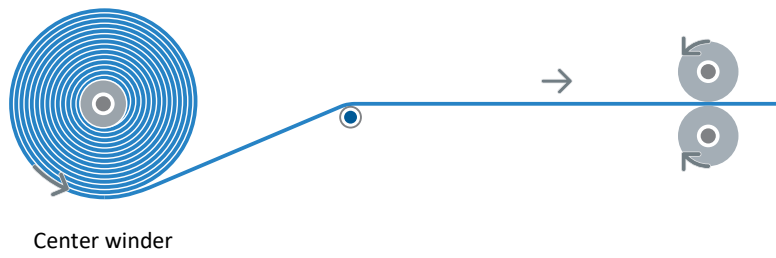


Fig. 33: Center winder: Positive unwinding

Feature	Parameters	Meaning
Winding direction	L420 = negative	Unwinding
Center winder polarity	L10 = 0: Positive	The signs of the set velocities are the same (L102 = negative)

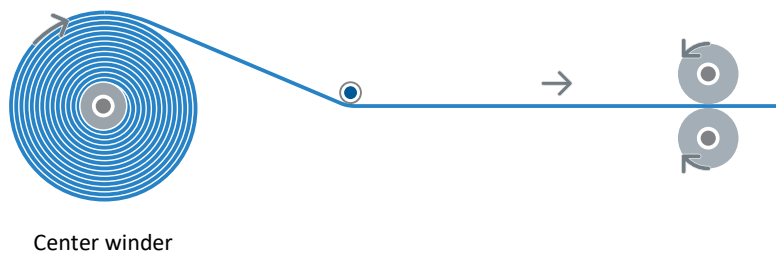


Fig. 34: Center winder: Negative unwinding

Feature	Parameters	Meaning
Winding direction	L420 = negative	Unwinding
Center winder polarity	L10 = 1: Negative	The signs of the set velocities are inverted (L102 = positive)

6.2.5 Compensation for friction and mass inertia

If L00 = 1: Tensile force control (open loop), to enable a uniform winding result, the static and dynamic friction of the axis must be determined and compensated for. Friction compensation is optional for all other winding methods. If L00 = 2: Tensile force control, torque correction, compensation for the friction can relieve the PID controller. Compensation for constant and variable mass inertia is optional for all winding methods and enables constant material tensile force when the axis is accelerated.

To compensate for the friction and mass inertia of the axis, proceed as described in [Compensating for friction and mass inertia \[► 51\]](#).

Static and dynamic frictional torque

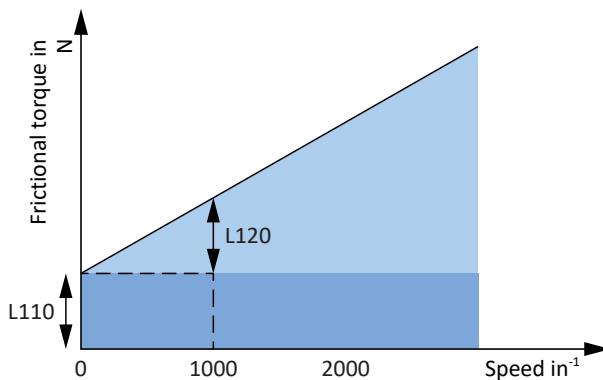


Fig. 35: Center winder: frictional torque of the axis

The frictional torque M_R corresponds to the torque that the drive must provide to compensate for the friction of the axis. The static frictional torque M_{Rstat} must be provided by the drive in order to set the axis in motion from a standstill. The dynamic frictional torque M_{Rdyn} must be provided by the drive in order to keep the axis in motion (static frictional torque: L110; dynamic frictional torque: L120).

Constant and variable mass moment of inertia

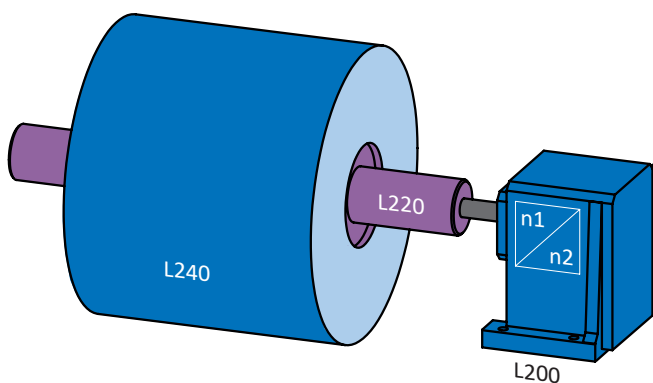


Fig. 36: Center winder: mass moment of inertia of the axis

The mass moment of inertia J and the angular acceleration α result in the torque that the drive must provide to set the axis in rotary motion.

The constant mass moment of inertia results from the sum of the mass moments of inertia of the motor, gearbox and shaft with winder case (motor: B62; gearbox: L200; shaft + winder case: L220).

The variable mass moment of inertia results from the mass moment of inertia of the material depending on the current winding diameter (winding: L240; diameter source: L20).

The mass moment of inertia of the axis results from the constant and variable mass moments of inertia (display: L320).

6.2.6 Material tear monitoring

The Drive Based Center Winder application allows you to monitor the material for tearing or loosening using a sensor, an algorithm or a combination of both (source: L381). If a material tear or looseness is detected, the corresponding bit is set in the status word of the application (signal: L904; status word: L155, bit 7). If a material tear is detected, application event 0 may also be triggered, which can be evaluated either as a message, warning or fault (level: U100).

The algorithm detects a material tear under the following conditions (prerequisite: L381 = 2: Algorithm, 3: Algorithm + sensor):

Winding method	Condition for L904 = 1: Active
0: Velocity control (open loop), 5: Velocity control	–
1: Tensile force control (open loop)	Deviation $\geq 5\%$ between actual torque and set torque of the axis (E90, L103) and motion profile of the motion core has reached the set velocity (L183 = 1: Active)
2: Tensile force control, torque correction, 3: Tensile force control, velocity correction	Actual material tensile force is less than the minimum permitted material tensile force (L493 < L382)
4: Dancer position control, velocity correction	Actual dancer position is less than minimum permitted dancer position (L96 < L97)

Tab. 5: Material tear monitoring: Algorithm

To parameterize the material tear monitoring, proceed as described in [Parameterizing material tear monitoring](#) [▶ 63].

6.2.7 PID controller

In the Drive Based Center Winder application, the PID controller is available both in center winder operating mode and in command mode for the following winding methods (prerequisite: J50 = 30: MC_Winder).

- 2: Tensile force control, torque correction
- 3: Tensile force control, velocity correction
- 4: Dancer position control, velocity correction
- 5: Velocity control

To enable the PID controller in the Drive Based Center Winder application, the drive controller must be enabled and the 30: MC_Winder motion command must be selected. For example, the PID controller can be enabled via the digital inputs or via the control word of the center winder; the enable status is displayed in the status word of the center winder (source: L370; control word: L150, bit 8; status word: L155, bit 8).

PID controller: Scaling, limit

To calculate the manipulated variable, the material tensile force, material velocity and dancer position are scaled at the input of the PID controller (parameters: L357, L358, L359; units: N \rightarrow %, mm/s \rightarrow %, mm \rightarrow %). At the output of the PID controller, the manipulated variable is scaled into the target unit (units: % \rightarrow N, % \rightarrow mm/s) to correct the set torque L103 or set velocity L102 of the axis.

A maximum permitted positive and negative manipulated variable can be specified for the PID controller (limit: L355, L356). Whether the manipulated variable, and therefore also the integral share, of the PID controller is currently limited is displayed in parameter L365.

PID controller: Inputs

The following parameters are important at the input of the PID controller:

- Control difference L362
- Loop gain K_o L350
- Proportional coefficient K_p L351
- Integral coefficient K_i L352
- Derivation time T_D L353

The control difference is the difference between the set value and actual value of the PID controller (set value: L360; actual value: L361). The PID controller uses the control difference for corrective measures to adjust the actual values to the set values.

The loop gain K_o controls the response speed and stability of the control loop. The loop gain influences how precisely and quickly the PID controller responds to changes in the actual material tensile force or actual dancer position. The correct setting is crucial to avoid vibrations and achieve an even winding result.

The proportional coefficient K_p controls the direct response of the PID controller to control differences. A higher proportional coefficient increases the correction of the control difference, while a lower proportional coefficient leads to a smoother response. The correct setting is crucial for stable and efficient control of the system.

The integral coefficient K_i accumulates deviations between the set value and actual value over time and corrects long-term deviations. A higher integral coefficient leads to faster compensation of long-term errors, but can lead to instability due to overshooting if it is set too high. A lower integral coefficient responds more slowly to errors and can lead to more sluggish control. The correct setting ensures that long-term deviations between the set and actual values are effectively corrected.

The derivation time T_D responds to the rate of change of the deviation between the set and actual values. A higher derivation time improves the response to rapid changes. A lower derivation time leads to smoother control, but responds more slowly to rapid changes. The correct setting is crucial for stability and avoiding unwanted noise.

PID controller: Outputs

The following parameters are important at the output of the PID controller:

- Manipulated variable y L366
- Proportional share (P-share) L363
- Integral share (I-share) L364

Depending on the control process of the center winder, the manipulated variable y acts on the set velocity or set torque of the motor. The manipulated variable is offset against the actual set value in order to compensate for the control difference.

To correct the set velocity, the sum of the manipulated variable and linear set material velocity is converted into a rotational set velocity based on the winding diameter, which is adjusted for the direction of rotation and displayed as the set velocity of the motor in L102 filtered with L104.

To correct the set torque, the sum of the manipulated variable and linear set material tensile force is converted to a rotational set torque based on the winding diameter, which is then added to the torques for compensating for the friction and mass inertia of the axis and displayed as the set torque of the motor in L103 scaled with C09.

The proportional share results from the loop gain K_o , proportional coefficient K_p and control difference e (K_o : L350; K_i : L351; e : L362).

The integral share results from the loop gain K_o , integral coefficient K_i and integrated control difference e (K_o : L350; K_i : L352; e : L362).

6.3 Axis model

With the help of the axis model, you map the real mechanical environment of your drive project in DriveControlSuite by parameterizing the axis type and the arrangement of existing encoders. The parameterization of the axis model is required for the smooth operation and easy diagnosis of your drive train.

As a rule, there are rotational or translational axis models with an endless (modulo) or limited travel range. In Drive Based Center Winder applications, I05 Type of axis and I00 Position range are preset to a rotational axis model with an endless travel range and the axis is scaled using the predefined unit of measurement °. You parameterize the encoder arrangement by using B26 Motor encoder and I02 Position encoder.

The 6th generation of STÖBER drive controllers are specially developed for communication between the drive controller and controller on the basis of the actual variables at the output (° of real axis movement). The scaling of the axis model is calculated by the drive controller's firmware independently of the encoder model, without any rounding errors or drift.

If your axis model is not followed by any other gear ratios, you can operate the axis with output-side motion variables where all nominal and actual values correspond to the real axis movement.

Information

The firmware processes values for the motion variables velocity, acceleration and jerk in the data type REAL32 (floating-point number, 32 bits). Position values are processed in the INT32 data type (integer, 32 bits) to eliminate rounding errors and enable precise movements.

Abbreviation	Meaning
M	Motor
MEnc	Motor Encoder
PEnc	Position Encoder

Rotational axis model

The following figures show an endless rotational axis model consisting of a motor, gearbox and rotary table. Rotational axis models support rotational motor encoders as well as rotational position encoders.

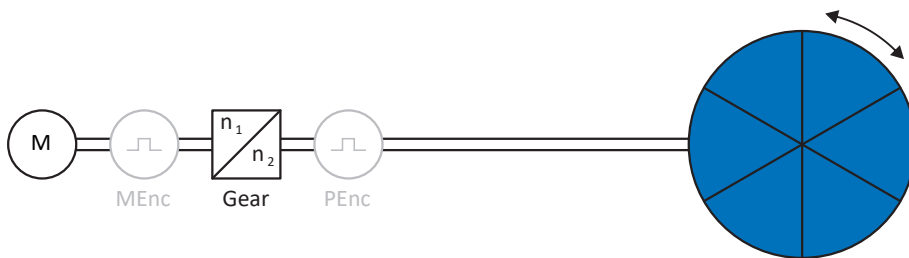


Fig. 37: Endless-rotational motion: Rotary table

Encoder arrangement

You parameterize the encoder arrangement by using B26 Motor encoder and I02 Position encoder. The motor encoder for velocity control is located on the motor shaft. The position encoder for position control is located on the gearbox output. If you use only one of the two encoders, it will be used for both velocity and position control.

Encoder	Parameterization	Encoder arrangement
Motor encoder	B26 ≠ 0: Inactive I02 = 0: Motor encoder	
Position encoder	B26 ≠ 0: Inactive I02 = B26	
Motor encoder & position encoder	B26 ≠ 0: Inactive I02 ≠ B26	

6.4 Limit switches

Limit switches are sensors that detect when a certain position has been reached.

A distinction is made here between hardware limit switches and software limit switches. While a hardware limit switch is a real switch (hardware), a software limit switch refers to the position limiting or position monitoring implemented in the software.

Software limit switches are only available with a limited travel range (I00 = 0: Limited) and are therefore not available in Drive Based Center Winder applications, as the axis model is preset as fixed endless rotational.

Behavior in jog mode, reaching the +/- 31 bit computing limit and simultaneous triggering of positive and negative limit switches are special cases.

6.4.1 Real axes

6.4.1.1 Faults

If a hardware limit switch is crossed, a fault is triggered immediately (signal: I441, I442).

Fault

53: Limit switch

Causes

- 1: Hardware-Limit-Switch positive
- 2: Hardware-Limit-Switch negative
- 5: +/- 31 bit computing limit reached
- 7: Both limit switches not connected

The fault can be acknowledged. When the respective limit switch is crossed, a direction lock is triggered so that it is only possible to move back from the limit switch in the opposite direction of motion (direction lock: I196). Once the direction lock is no longer active, the fault can be triggered again.

6.4.1.2 Denial

If a limit switch is crossed, a direction lock is triggered and movement of the axis in the locked direction is denied (direction lock: I196).

With hardware limit switches, the direction lock is deactivated as soon as the axis has moved back from the limit switch, i.e. as soon as the signal is no longer active (signal: I441, I442).

If the direction lock is active, parameter I91 Error = 1: Active and the cause is displayed in parameter I90.

Causes

- 1: Illegal direction
- 11: HW-limit switch positive
- 12: HW-limit switch negative

A limitation of the direction of motion is also displayed in parameter E80:

- E80 = 20: Limit switch:
Check the parameterization and the connection of the limit switches.
- E80 = 15: Illegal direction:
Check the set values and a possible direction lock in parameter I196.

Also check I196 if the permitted direction was limited with I04.

6.4.1.3 Hardware limit switches

Hardware limit switches apply if your sources are defined in parameters I101 and I102.

Relevant parameters

- I101 Source positive /limit switch
- I102 Source negative /limit switch
- I441 Signal /HW limit switch positive
- I442 Signal /HW limit switch negative
- I805 Actual value HW-Limit switch positive
- I806 Actual value HW-Limit switch negative
- I52 Delete limit switch memory
- I196 Direction blocking

If I441 and I442 = 0: Inactive, fault 53 is triggered with cause 7: Both limit switches not connected. Therefore, after parameterizing I101 and I102, check whether the hardware limit switches are also connected physically.

If I101 and I102 = 2: Parameter, the fault is triggered by the control word of the application (I210). In this case, check the controller connection.

Passable hardware limit switches

The hardware limit switches can be passed over. It is therefore possible to use an infinite cam as a hardware limit switch. The limit switch is detected if the signal goes to 0: Inactive (parameters I441 and I442).

If the hardware limit switch is overshoot, the position at which the limit switch was detected is saved. When resetting limit switches, the axis must have reached or passed back over this saved position before the signal is valid again.

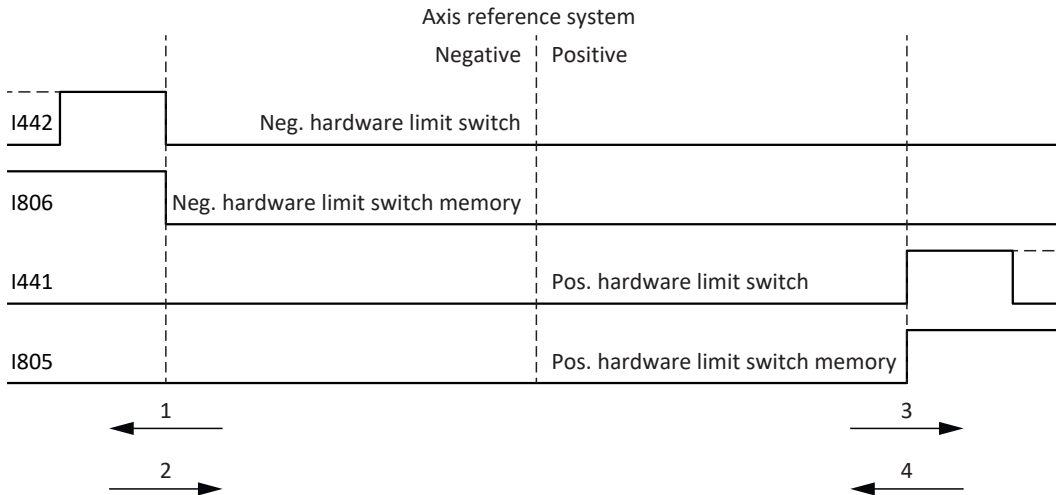


Fig. 38: Hardware limit switch memory

- 1 Setting the memory (negative hardware limit switch) with rising edge
- 2 Resetting the memory (negative hardware limit switch) with falling edge
- 3 Setting the memory (positive hardware limit switch) with rising edge
- 4 Resetting the memory (positive hardware limit switch) with falling edge

Information

The passable hardware limit switch is no longer effective once the position at which the edge of the limit switch was detected has been passed over again.

Note that the positions are not saved in non-volatile memory. This means that if the axis is beyond a passable limit switch after activation, it must first be reset to the regular travel range.

The entire system is simpler if you do not use any passable limit switches.

During commissioning or in case of defective hardware limit switch connections, problems can arise with the saved positions. These can be deleted with parameter I52. However, deletion only takes place if the corresponding limit switch signal is inactive. Stored positions can also be deleted by referencing, setting a reference can be deleted using I452 or by restarting the drive controller.

During referencing, the hardware limit switches are not evaluated as limit switches. There are referencing methods in which the hardware limit switches are used for referencing.

Example

A positive limit switch ranges from position 100 to 120.

When moving in the positive direction, it is detected at 100.

On the return journey, due to tolerances, it can be the case that the limit switch has already been left at 101.

Despite this, position 100 must be undershot in order to leave the effective limit switch.

6.4.1.4 Hardware limit switches when referencing

Hardware limit switches assume a special position when referencing.

Limit switch as reference switch

The hardware limit switches can be used in place of a reference switch (I30 = 2: Limit switch).

Change of direction

In other referencing types, a hardware limit switch signal leads to a change of direction. However, the signal only causes a change if it matches the direction of travel.

If the detected hardware limit switch does not match the direction of travel (e.g. negative limit switch with positive direction of travel), a fault is then triggered.

Example

At the start of referencing, the axis is between the reference switch and positive limit switch. The referencing direction is positive. The axis moves in the positive direction and first encounters the positive limit switch, not the reference switch. The axis reverses and searches for the reference switch in the other direction.

6.4.2 Special cases

A few special cases are described below.

6.4.2.1 Reaching the +/- 31 bit computing limit

Fault:

53: Limit switch

Cause:

5: +/- 31 bit computing limit reached

The computing limit can be reached if, for example, so many commands follow after each other for the moving axis that the total distance to be traveled (including decimal places) adds up to over 2^{31} .

6.4.2.2 Simultaneous detection of positive and negative hardware limit switches

Fault:

53: Limit switch

Cause:

7: Both limit switches not connected

This fault is triggered if I441 and I442 are both 0: Inactive. Check whether the hardware limit switches are also connected physically.

If I101 and I102 = 2: Parameter, the fault is triggered by the control word of the application (I210). In this case, check the controller connection.

The fault can be acknowledged with I52.

6.4.2.3 Behavior upon controller start-up

Fault:

53: Limit switch

Cause:

7: Both limit switches not connected

If a controller is used as the source for the digital signals for evaluating the hardware limit switches and this is still in device start-up while the drive controller and fieldbus communication are already active, fault 53: Limit switch is triggered and the limit switch memory is set (I805, I806 = 1: Active).

If the power unit has not yet been enabled since the supply voltage was switched on, the limit switch memory is automatically reset as soon as the controller correctly transmits the signals for evaluating the hardware limit switches.

6.5 Referencing

To be able to work with a system with absolute positions, the relation of a measured to an actual axis position must be determined.

During initial commissioning or after changes to the axis model, the actual position of the axis is unknown. A defined initial position is necessary. As a rule, this is either identified through a reference search or referencing setting. The associated process is referred to as referencing.

Absolute movements can be performed only in a referenced state.

For relative movements, referencing is only required if the software limit switch function is used at the same time.

6.5.1 Referencing methods

The following table shows an overview of the possible referencing methods.

Abbreviation	Meaning
S	Switch
M/F	Torque or force

	Method	Initial movement	Zero pulse	Feature
	A	Negative	Yes	Negative limit switch
	B	Negative	Yes	Negatively positioned reference switch
	C	Negative	–	Negative limit switch
	D	Negative	–	Negatively positioned reference switch
	E	Positive	Yes	Positive limit switch
	F	Positive	Yes	Positively positioned reference switch
	G	Positive	–	Positive limit switch
	H	Positive	–	Positively positioned reference switch
	I	Positive	Yes	Centrally positioned reference switch
	J	Positive	–	Centrally positioned reference switch
	K	Negative	Yes	Centrally positioned reference switch
	L	Negative	–	Centrally positioned reference switch
	M	Negative	Yes	Zero pulse
	N	Positive	Yes	Zero pulse
	O	–	–	Setting the reference
	P	Positive	–	Torque/force stop
	Q	Positive	Yes	Torque/force stop
	R	Negative	–	Torque/force stop
	S	Negative	Yes	Torque/force stop

Tab. 6: Referencing methods

6.5.1.1 Referencing methods in detail

The following chapters show the individual referencing methods in detail.

The following abbreviations are used in the graphs on the referencing methods:

Abbreviation	Meaning
ALT	Alternative
LS	Limit Switch
RS	Reference Switch
ZP	Zero Pulse

Information

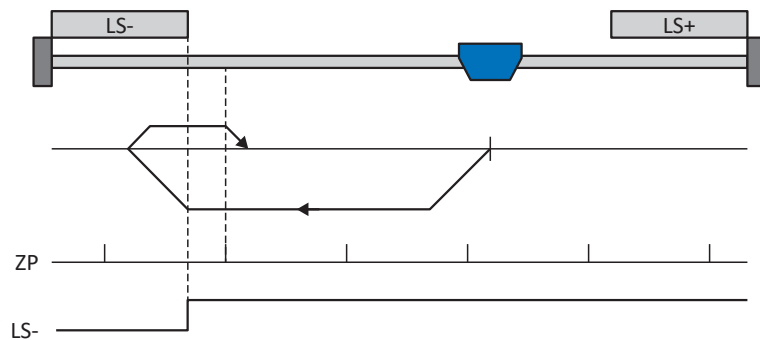
For graphically representing axes, the left is the smallest and the right is the largest position value. This means a positive movement goes to the right and a negative to the left.

The following parameters are used in the descriptions of the referencing methods:

Coordinate	Name
I28	Homing torque/force limit
I29	Time homing torque/force limit
I30	Referencing type
I31	Referencing direction
I32	Referencing speed fast
I33	Referencing speed slow
I34	Reference position
I35	Referencing with zero pulse
I39	Referencing acceleration
I43	Move to reference position
I44	Referencing jerk
I53	Index search offset
I101	Source positive /limit switch
I102	Source negative /limit switch
I103	Source reference switch

6.5.1.1.1 Referencing method A

Referencing method A determines a reference using a run to the negative limit switch and zero pulse.



Preparation

1. Activate referencing method A by setting the following parameters to the specified values:
 I30 to 2: Limit switch,
 I31 to 1: Negative,
 I35 to 1: Active.
2. I102:
 Enter the data source for the negative limit switch.
3. I32, I33, I39, I44, I34:
 Define the set values necessary for referencing.
4. I53:
 Define the start of the search for the zero pulse search

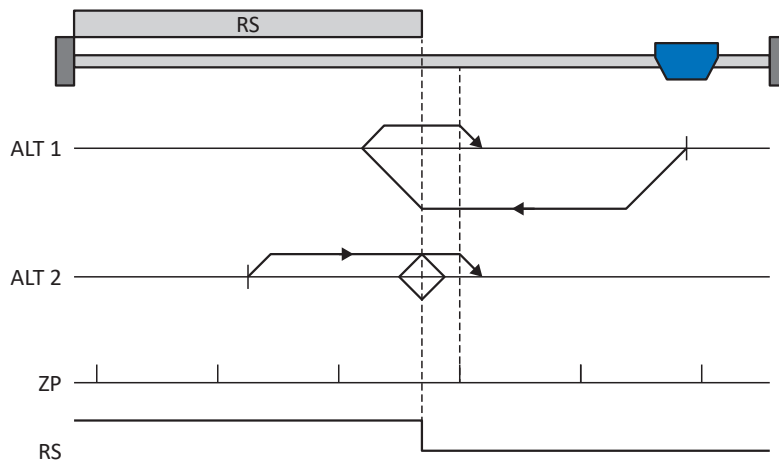
Referencing

If the PLCopen command MC_Home is active, referencing takes places as follows:

1. The drive starts in the negative direction with acceleration I39 and velocity I32.
2. It changes its direction upon reaching the negative limit switch and continues its run with velocity I33 until it reaches the next zero pulse after leaving the limit switch.
3. The current actual position is set to the value of reference position I34 upon reaching the zero pulse.
4. The drive comes to a standstill with deceleration I39.
5. If I43 is set to 1: Active, the drive is positioned at reference position I34.

6.5.1.1.2 Referencing method B

Referencing method B determines the reference using a run to the negatively positioned reference switch and zero pulse.



Preparation

1. Activate referencing method B by setting the following parameters to the specified values:
 I30 to 1: Reference input,
 I31 to 1: Negative,
 I35 to 1: Active.
2. I103:
 Enter the data source for the reference switch.
3. I32, I33, I39, I44, I34:
 Define the set values necessary for referencing.
4. I53:
 Define the start of the search for the zero pulse search

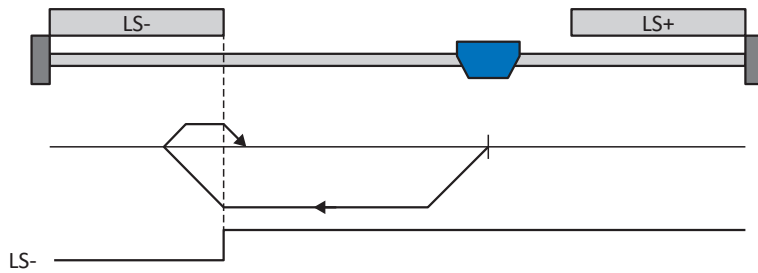
Referencing

If the PLCopen command MC_Home is active, a distinction is made between two referencing variants.

- ✓ Alternative 1: Drive is positioned in front of the reference switch
 1. The drive starts in the negative direction with acceleration I39 and velocity I32.
 2. It changes its direction upon reaching the reference switch and continues its run with velocity I33 until it reaches the next zero pulse after leaving the reference switch.
 3. The current actual position is set to the value of reference position I34 upon reaching the zero pulse.
 4. The drive comes to a standstill with deceleration I39.
 5. If I43 is set to 1: Active, the drive is positioned at reference position I34.
- ✓ Alternative 2: Drive stopped at reference switch
 1. The drive starts in the positive direction with acceleration I39 and velocity I33.
 2. It changes its direction upon reaching the reference switch and continues its run with velocity I32.
 3. When the drive comes to a stop after the reference switch, it changes direction again and continues at velocity I33 until it reaches the zero pulse.
 4. The current actual position is set to the value of reference position I34 upon reaching the zero pulse.
 5. The drive comes to a standstill with deceleration I39.
 6. If I43 is set to 1: Active, the drive is positioned at reference position I34.

6.5.1.1.3 Referencing method C

Referencing method C determines the reference using a run to the negative limit switch.



Preparation

1. Activate referencing method C by setting the following parameters to the specified values:
I30 to 2: Limit switch,
I31 to 1: Negative,
I35 to 0: Inactive.
2. I102:
Enter the data source for the negative limit switch.
3. I32, I33, I39, I44, I34:
Define the set values necessary for referencing.

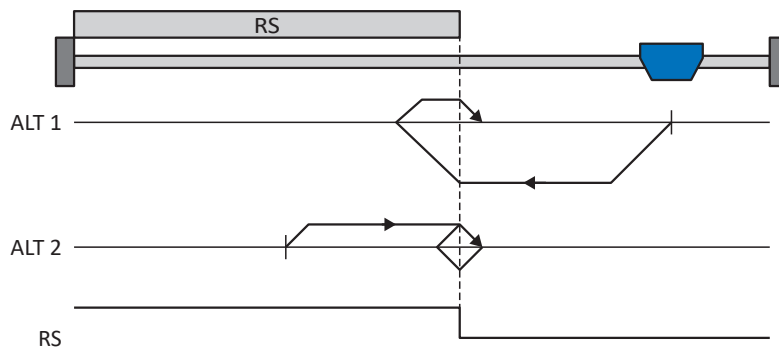
Referencing

If the PLCopen command MC_Home is active, referencing takes place as follows:

1. The drive starts in the negative direction with acceleration I39 and velocity I32.
2. It changes its direction upon reaching the negative limit switch and continues its run with velocity I33 until it leaves the limit switch again.
3. The current actual position is set to the value of the reference position I34 upon leaving the limit switch.
4. The drive comes to a standstill with deceleration I39.
5. If I43 is set to 1: Active, the drive is positioned at reference position I34.

6.5.1.1.4 Referencing method D

Referencing method D determines the reference using a run to the negatively positioned reference switch.



Preparation

1. Activate referencing method D by setting the following parameters to the specified values:
I30 to 1: Reference input,
I31 to 1: Negative,
I35 to 0: Inactive.
2. I103:
Enter the data source for the reference switch.
3. I32, I33, I39, I44, I34:
Define the set values necessary for referencing.

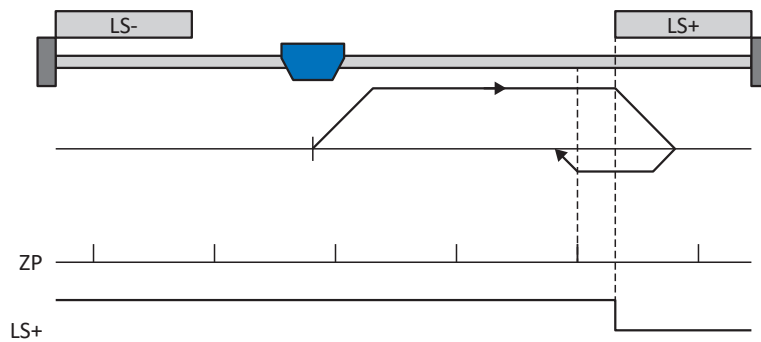
Referencing

If the PLCopen command MC_Home is active, a distinction is made between two referencing variants.

- ✓ Alternative 1: Drive is positioned in front of the reference switch
 1. The drive starts in the negative direction with acceleration I39 and velocity I32.
 2. It changes its direction upon reaching the reference switch and continues its run with velocity I33 until it leaves the reference switch again.
 3. The current actual position is set to the value of the reference position I34 upon leaving the reference switch.
 4. The drive comes to a standstill with deceleration I39.
 5. If I43 is set to 1: Active, the drive is positioned at reference position I34.
- ✓ Alternative 2: Drive stopped at reference switch
 1. The drive starts with acceleration I39 and velocity I33 in the positive direction until it leaves the reference switch.
 2. It changes its direction upon leaving the reference switch and continues its run with velocity I32.
 3. When the drive comes to a stop after the reference switch, it changes direction and continues its run at velocity I33 until it reaches the reference switch again.
 4. The current actual position is set to the value of the reference position I34 upon reaching the reference switch.
 5. The drive comes to a standstill with deceleration I39.
 6. If I43 is set to 1: Active, the drive is positioned at reference position I34.

6.5.1.1.5 Referencing method E

Referencing method E determines the reference using a run to the positive limit switch and zero pulse.



Preparation

1. Activate referencing method E by setting the following parameters to the specified values:
 I30 to 2: Limit switch,
 I31 to 0: Positive,
 I35 to 1: Active.
2. I101:
 Enter the data source for the positive limit switch.
3. I32, I33, I39, I44, I34:
 Define the set values necessary for referencing.
4. I53:
 Define the start of the search for the zero pulse search

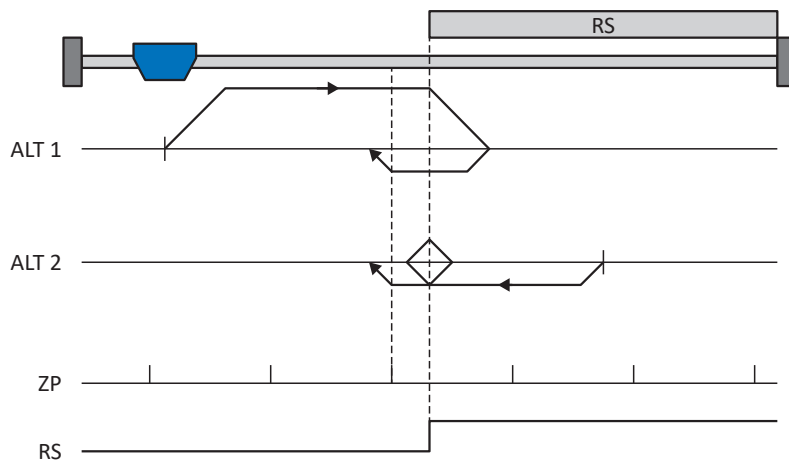
Referencing

If the PLCopen command MC_Home is active, referencing takes places as follows:

1. The drive starts in the positive direction with acceleration I39 and velocity I32.
2. It changes its direction upon reaching the positive limit switch and continues its run with velocity I33 until it reaches the next zero pulse after leaving the limit switch.
3. The current actual position is set to the value of reference position I34 upon reaching the zero pulse.
4. The drive comes to a standstill with deceleration I39.
5. If I43 is set to 1: Active, the drive is positioned at reference position I34.

6.5.1.1.6 Referencing method F

Referencing method F determines the reference using a run to the positively positioned reference switch and zero pulse.



Preparation

1. Activate referencing method F by setting the following parameters to the specified values:
 - I30 to 1: Reference input,
 - I31 to 0: Positive,
 - I35 to 1: Active.
2. I103:
 - Enter the data source for the reference switch.
3. I32, I33, I39, I44, I34:
 - Define the set values necessary for referencing.
4. I53:
 - Define the start of the search for the zero pulse search

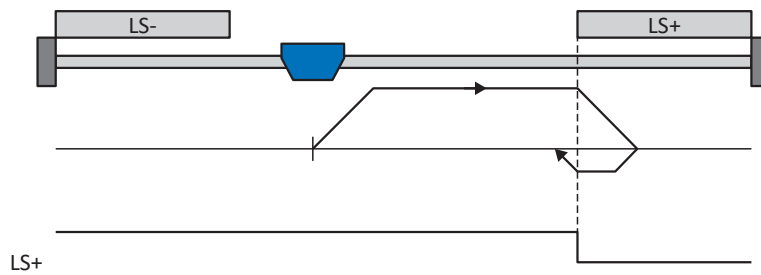
Referencing

If the PLCopen command MC_Home is active, a distinction is made between two referencing variants.

- ✓ Alternative 1: Drive is positioned in front of the reference switch
 1. The drive starts in the positive direction with acceleration I39 and velocity I32.
 2. It changes its direction upon reaching the reference switch and continues its run with velocity I33 until it reaches the next zero pulse after leaving the reference switch.
 3. The current actual position is set to the value of reference position I34 upon reaching the zero pulse.
 4. The drive comes to a standstill with deceleration I39.
 5. If I43 is set to 1: Active, the drive is positioned at reference position I34.
- ✓ Alternative 2: Drive stopped at reference switch
 1. The drive starts in the negative direction with acceleration I39 and velocity I33.
 2. It changes its direction upon reaching the reference switch and continues its run with velocity I32.
 3. When the drive comes to a stop after the reference switch, it changes direction again and continues at velocity I33 until it reaches the zero pulse.
 4. The current actual position is set to the value of reference position I34 upon reaching the zero pulse.
 5. The drive comes to a standstill with deceleration I39.
 6. If I43 is set to 1: Active, the drive is positioned at reference position I34.

6.5.1.1.7 Referencing method G

Referencing method G determines the reference using a run to the positive limit switch.



Preparation

1. Activate referencing method G by setting the following parameters to the specified values:
 I30 to 2: Limit switch,
 I31 to 0: Positive,
 I35 to 0: Inactive.
2. I101:
 Enter the data source for the positive limit switch.
3. I32, I33, I39, I44, I34:
 Define the set values necessary for referencing.

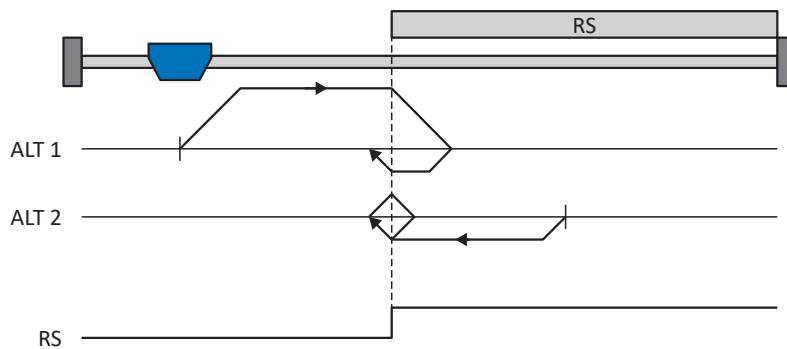
Referencing

If the PLCopen command MC_Home is active, referencing takes places as follows:

1. The drive starts in the positive direction with acceleration I39 and velocity I32.
2. It changes its direction upon reaching the positive limit switch and continues its run with velocity I33 until it leaves the limit switch again.
3. The current actual position is set to the value of the reference position I34 upon leaving the limit switch.
4. The drive comes to a standstill with deceleration I39.
5. If I43 is set to 1: Active, the drive is positioned at reference position I34.

6.5.1.1.8 Referencing method H

Referencing method H determines the reference using a run to the positively positioned reference switch.



Preparation

1. Activate referencing method H by setting the following parameters to the specified values:
 I30 to 1: Reference input,
 I31 to 0: Positive,
 I35 to 0: Inactive.
2. I103:
 Enter the data source for the reference switch.
3. I32, I33, I39, I44, I34:
 Define the set values necessary for referencing.

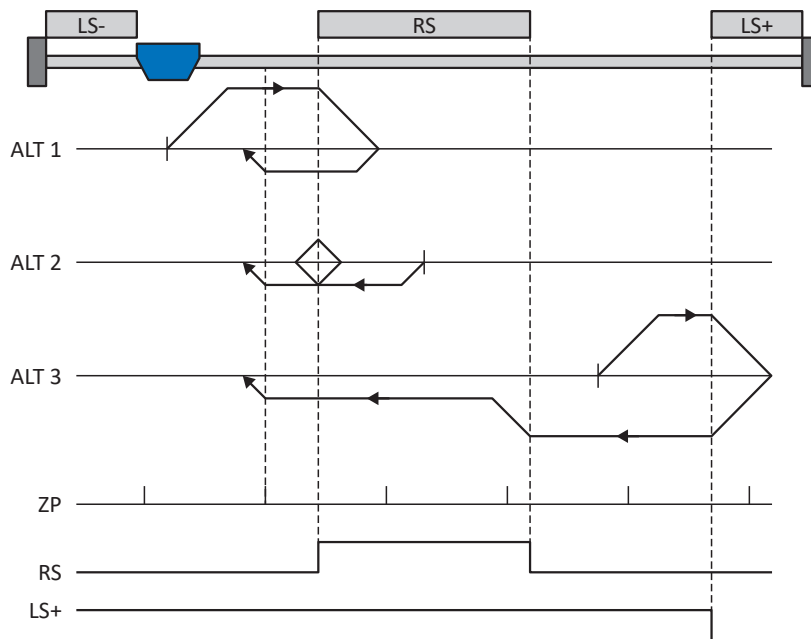
Referencing

If the PLCopen command MC_Home is active, a distinction is made between two referencing variants.

- ✓ Alternative 1: Drive is positioned in front of the reference switch
 1. The drive starts in the positive direction with acceleration I39 and velocity I32.
 2. It changes its direction upon reaching the reference switch and continues its run with velocity I33 until it leaves the reference switch again.
 3. The current actual position is set to the value of the reference position I34 upon leaving the reference switch.
 4. The drive comes to a standstill with deceleration I39.
 5. If I43 is set to 1: Active, the drive is positioned at reference position I34.
- ✓ Alternative 2: Drive stopped at reference switch
 1. The drive starts with acceleration I39 and velocity I33 in the negative direction until it leaves the reference switch.
 2. It changes its direction upon leaving the reference switch and continues its run with velocity I32.
 3. When the drive comes to a stop after the reference switch, it changes direction and continues its run at velocity I33 until it reaches the reference switch again.
 4. The current actual position is set to the value of the reference position I34 upon reaching the reference switch.
 5. The drive comes to a standstill with deceleration I39.
 6. If I43 is set to 1: Active, the drive is positioned at reference position I34.

6.5.1.1.9 Referencing method I

Referencing method I determines the reference using a run to the centered reference switch and zero pulse.



Preparation

1. Activate referencing method I by setting the following parameters to the specified values:
 - I30 to 1: Reference input,
 - I31 to 0: Positive,
 - I35 to 1: Active.
2. I103:
 - Enter the data source for the reference switch.
3. I32, I33, I39, I44, I34:
 - Define the set values necessary for referencing.
4. I53:
 - Define the start of the search for the zero pulse search

Referencing

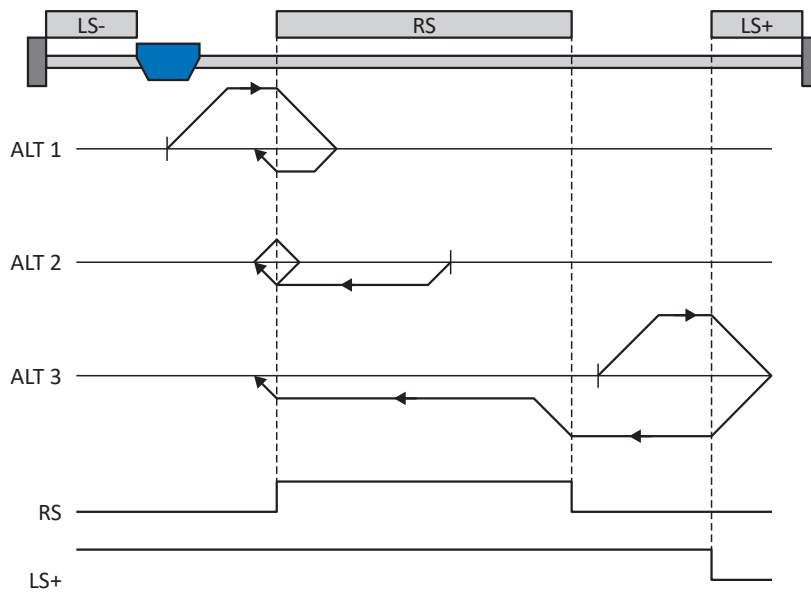
If the PLCopen command MC_Home is active, a distinction is made between three referencing sequences.

- ✓ Alternative 1: Drive is positioned between the negative limit and reference switches
 1. The drive starts in the positive direction with acceleration I39 and velocity I32.
 2. It changes its direction upon reaching the reference switch and continues its run with velocity I33 until it reaches the next zero pulse after leaving the reference switch.
 3. The current actual position is set to the value of reference position I34 upon reaching the zero pulse.
 4. The drive comes to a standstill with deceleration I39.
 5. If I43 is set to 1: Active, the drive is positioned at reference position I34.

- ✓ Alternative 2: Drive stopped at reference switch
 1. The drive starts in the negative direction with acceleration I39 and velocity I33.
 2. It changes its direction upon reaching the reference switch and continues its run with velocity I32.
 3. When the drive comes to a stop after the reference switch, it changes direction again and continues at velocity I33 until it reaches the zero pulse.
 4. The current actual position is set to the value of reference position I34 upon reaching the zero pulse.
 5. The drive comes to a standstill with deceleration I39.
 6. If I43 is set to 1: Active, the drive is positioned at reference position I34.
- ✓ Alternative 3: Drive is positioned between the reference and positive limit switches
 1. The drive starts in the positive direction with acceleration I39 and velocity I32.
 2. It changes its direction upon reaching the positive limit switch until the reference switch is reached.
 3. Upon reaching the reference switch, the drive changes its velocity to I33 until it leaves the reference switch again.
 4. The current actual position is set to the value of the reference position I34 after leaving the reference switch and upon reaching the next zero pulse.
 5. The drive comes to a standstill with deceleration I39.
 6. If I43 is set to 1: Active, the drive is positioned at reference position I34.

6.5.1.1.10 Referencing method J

Referencing method J determines the reference using a run to the centered reference switch.



Preparation

1. Activate referencing method J by setting the following parameters to the specified values:
 I30 to 1: Reference input,
 I31 to 0: Positive,
 I35 to 0: Inactive.
2. I103:
 Enter the data source for the reference switch.
3. I32, I33, I39, I44, I34:
 Define the set values necessary for referencing.

Referencing

If the PLCopen command MC_Home is active, a distinction is made between three referencing sequences.

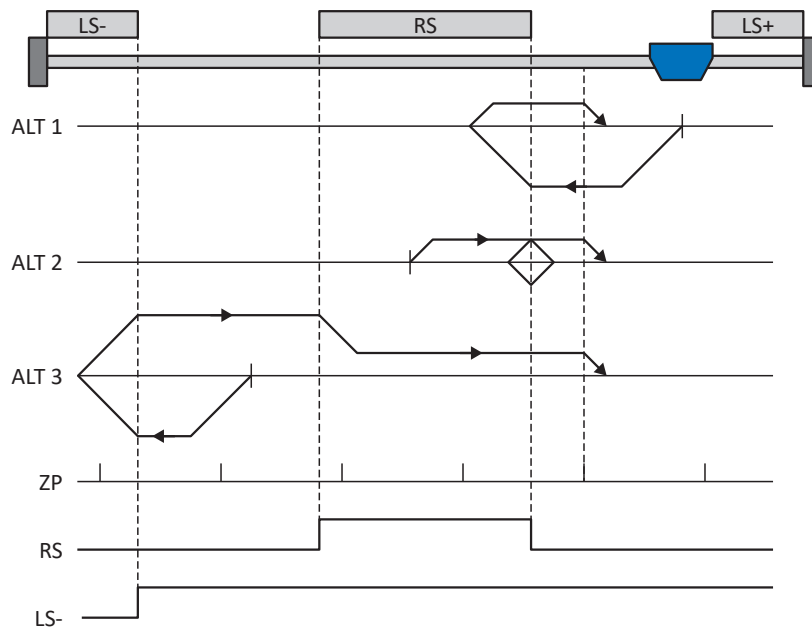
- ✓ Alternative 1: Drive is positioned between the negative limit and reference switches
1. The drive starts in the positive direction with acceleration I39 and velocity I32.
 2. It changes its direction upon reaching the reference switch and continues its run with velocity I33 until it leaves the reference switch again.
 3. The current actual position is set to the value of the reference position I34 upon leaving the reference switch.
 4. The drive comes to a standstill with deceleration I39.
 5. If I43 is set to 1: Active, the drive is positioned at reference position I34.

- ✓ Alternative 2: Drive stopped at reference switch
 1. The drive starts in the negative direction with acceleration I39 and velocity I33.
 2. It changes its direction upon reaching the reference switch and continues its run with velocity I32 until it leaves the reference switch.
 3. When the drive comes to a stop after the reference switch, it changes direction and continues its run at velocity I33 until it reaches the reference switch again.
 4. The current actual position is set to the value of the reference position I34 upon reaching the reference switch.
 5. The drive comes to a standstill with deceleration I39.
 6. If I43 is set to 1: Active, the drive is positioned at reference position I34.

- ✓ Alternative 3: Drive is positioned between the reference and positive limit switches
 1. The drive starts in the positive direction with acceleration I39 and velocity I32.
 2. Upon reaching the positive limit switch, the drive changes its direction and continues its run until it reaches the reference switch.
 3. Upon reaching the reference switch, the drive changes its velocity to I33 until it leaves the reference switch again.
 4. The current actual position is set to the value of the reference position I34 upon leaving the reference switch.
 5. The drive comes to a standstill with deceleration I39.
 6. If I43 is set to 1: Active, the drive is positioned at reference position I34.

6.5.1.1.11 Referencing method K

Referencing method K determines the reference using a run to the centered reference switch and zero pulse.



Preparation

1. Activate referencing method K by setting the following parameters to the specified values:
I30 to 1: Reference input,
I31 to 1: Negative,
I35 to 1: Active.
2. I103:
Enter the data source for the reference switch.
3. I32, I33, I39, I44, I34:
Define the set values necessary for referencing.
4. I53:
Define the start of the search for the zero pulse search

Referencing

If the PLCopen command MC_Home is active, a distinction is made between three referencing variants.

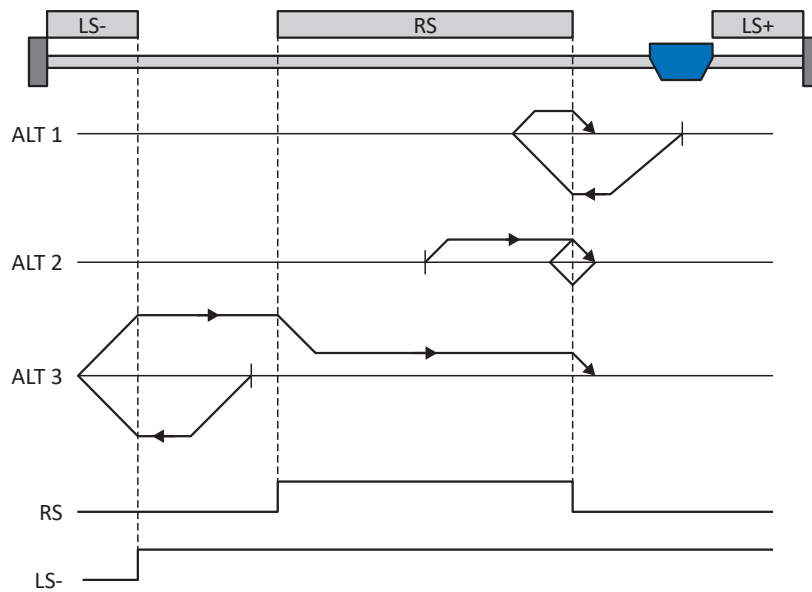
✓ Alternative 1: Drive is positioned between the reference and positive limit switches

1. The drive starts in the negative direction with acceleration I39 and velocity I32.
2. It changes its direction upon reaching the reference switch and continues its run with velocity I33 until it reaches the next zero pulse after leaving the reference switch.
3. The current actual position is set to the value of reference position I34 upon reaching the zero pulse.
4. The drive comes to a standstill with deceleration I39.
5. If I43 is set to 1: Active, the drive is positioned at reference position I34.

- ✓ Alternative 2: Drive stopped at reference switch
 1. The drive starts in the positive direction with acceleration I39 and velocity I33.
 2. It changes its direction upon reaching the reference switch and continues its run with velocity I32.
 3. When the drive comes to a stop after the reference switch, it changes direction again and continues at velocity I33 until it reaches the zero pulse.
 4. The current actual position is set to the value of reference position I34 upon reaching the zero pulse.
 5. The drive comes to a standstill with deceleration I39.
 6. If I43 is set to 1: Active, the drive is positioned at reference position I34.
- ✓ Alternative 3: Drive is positioned between the negative limit and reference switches
 1. The drive starts in the negative direction with acceleration I39 and velocity I32.
 2. It changes its direction upon reaching the negative limit switch and continues its run until the reference switch is reached.
 3. Upon reaching the reference switch, the drive changes its velocity to I33 and continues its run until it reaches the next zero pulse after leaving the reference switch.
 4. The current actual position is set to the value of reference position I34 upon reaching the zero pulse.
 5. The drive comes to a standstill with deceleration I39.
 6. If I43 is set to 1: Active, the drive is positioned at reference position I34.

6.5.1.1.12 Referencing method L

Referencing method L determines the reference using a run to the centered reference switch.



Preparation

1. Activate referencing method L by setting the following parameters to the specified values:
 I30 to 1: Reference input,
 I31 to 1: Negative,
 I35 to 0: Inactive.
2. I103:
 Enter the data source for the reference switch.
3. I32, I33, I39, I44, I34:
 Define the set values necessary for referencing.

Referencing

If the PLCopen command MC_Home is active, a distinction is made between three referencing variants.

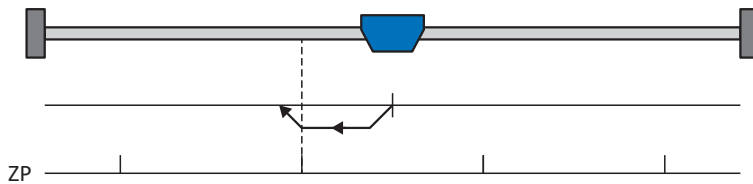
✓ Alternative 1: Drive is positioned between the reference and positive limit switches

1. The drive starts in the negative direction with acceleration I39 and velocity I32.
2. It changes its direction upon reaching the reference switch and continues its run with velocity I33 until it leaves the reference switch again.
3. The current actual position is set to the value of the reference position I34 upon leaving the reference switch.
4. The drive comes to a standstill with deceleration I39.
5. If I43 is set to 1: Active, the drive is positioned at reference position I34.

- ✓ Alternative 2: Drive stopped at reference switch
 1. The drive starts with acceleration I39 and velocity I33 in the positive direction until it leaves the reference switch.
 2. It changes its direction upon leaving the reference switch and continues its run with velocity I32.
 3. When the drive comes to a stop after the reference switch, it changes direction and continues its run at velocity I33 until it reaches the reference switch again.
 4. The current actual position is set to the value of the reference position I34 upon reaching the reference switch.
 5. The drive comes to a standstill with deceleration I39.
 6. If I43 is set to 1: Active, the drive is positioned at reference position I34.
- ✓ Alternative 3: Drive is positioned between the negative limit and reference switches
 1. The drive starts in the negative direction with acceleration I39 and velocity I32.
 2. It changes its direction upon reaching the negative limit switch and continues its run until the reference switch is reached.
 3. When the reference switch is reached, the drive changes its velocity to I33 and continues its run until it leaves the reference switch again.
 4. The current actual position is set to the value of the reference position I34 upon leaving the reference switch.
 5. The drive comes to a standstill with deceleration I39.
 6. If I43 is set to 1: Active, the drive is positioned at reference position I34.

6.5.1.1.13 Referencing method M

This method determines the reference using a run to the zero pulse.



Preparation

1. Activate referencing method M by setting the following parameters to the specified values:
I30 to 3: Zero pulse,
I31 to 1: Negative,
2. I32, I39, I44, I34:
Define the set values necessary for the referencing.

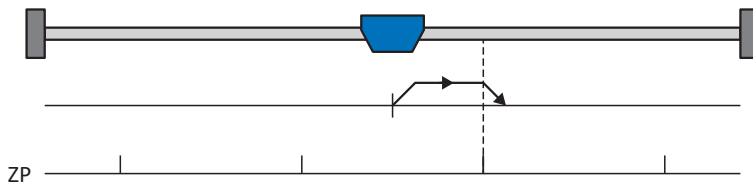
Referencing

If the PLCopen command MC_Home is active, referencing takes places as follows:

1. The drive starts in the negative direction with acceleration I39 and velocity I32.
2. The current actual position is set to the value of reference position I34 upon reaching the zero pulse.
3. The drive comes to a standstill with deceleration I39.
4. If I43 is set to 1: Active, the drive is positioned at reference position I34.

6.5.1.1.14 Referencing method N

Referencing method N determines the reference using a run to the zero pulse.



Preparation

1. Activate referencing method N by setting the following parameters to the specified values:
I30 to 3: Zero pulse,
I31 to 0: Positive,
2. I32, I39, I44, I34:
Define the set values necessary for the referencing.

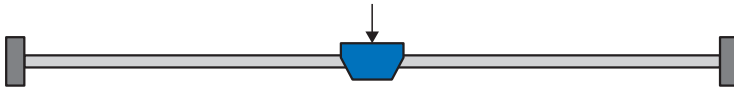
Referencing

If the PLCopen command MC_Home is active, referencing takes places as follows:

1. The drive starts in the positive direction with acceleration I39 and velocity I32.
2. The current actual position is set to the value of reference position I34 upon reaching the zero pulse.
3. The drive comes to a standstill with deceleration I39.
4. If I43 is set to 1: Active, the drive is positioned at reference position I34.

6.5.1.1.15 Referencing method O

Referencing method O determines the reference by setting the reference to any position.



Preparation

1. I30:
Activate referencing method O by setting this parameter to 5: Define home.
2. I34:
Define the reference position.

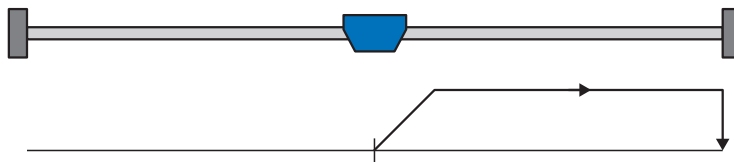
Referencing

If the PLCopen command MC_Home is active, referencing takes places as follows:

The current actual position is set to the value of the reference position I34.

6.5.1.1.16 Referencing method P

Referencing method P determines the reference using a run with a torque/force stop.



Preparation

1. Activate referencing method P by setting the following parameters to the specified values:
I30 to 4: Torque/force stopper,
I31 to 0: Positive,
I35 to 0: Inactive.
2. I32, I39, I44, I34:
Define the set values necessary for the referencing.
3. I28, I29:
Define the torque/force limit. If the actual torque for the time stored in I29 is above the limit defined in I28 for an ongoing period, the torque/force limit is reached.

Information

In case of a selected value for the torque/force variable that is too big, the machine can be damaged. In case of a selected value that is too small, an incorrect reference position may be applied.

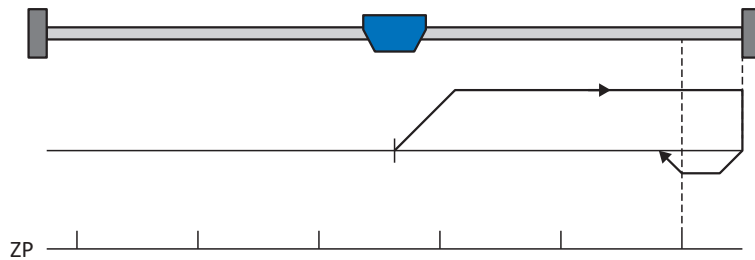
Referencing

If the PLCopen command MC_Home is active, referencing takes places as follows:

1. The drive starts in the positive direction with acceleration I39 and velocity I32.
2. The current actual position is set to the value of the reference position I34 when the torque/force limit is reached and the time stored in I29 has elapsed.
3. The set values are set to the value 0 with deceleration I39.
4. If I43 is set to 1: Active, the drive is positioned at reference position I34.

6.5.1.1.17 Referencing method Q

Referencing method Q determines the reference using a run with a torque/force stop and zero pulse.



Preparation

1. Activate referencing method Q by setting the following parameters to the specified values:
I30 to 4: Torque/force stopper,
I31 to 0: Positive,
I35 to 1: Active.
2. I32, I33, I39, I44, I34:
Define the set values necessary for referencing.
3. I28, I29:
Define the torque/force limit. If the actual torque for the time stored in I29 is above the limit defined in I28 for an ongoing period, the torque/force limit is reached.
4. I53:
Define the start of the search for the zero pulse search.

Information

In case of a selected value for the torque/force variable that is too big, the machine can be damaged. In case of a selected value that is too small, an incorrect reference position may be applied.

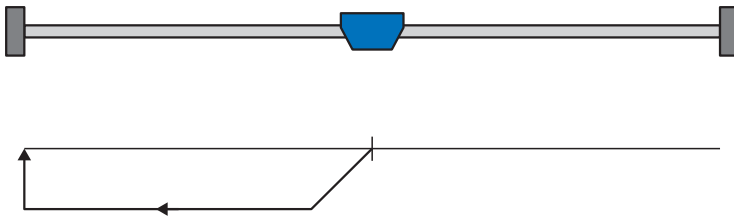
Referencing

If the PLCopen command MC_Home is active, referencing takes places as follows:

1. The drive starts in the positive direction with acceleration I39 and velocity I32.
2. It changes its direction upon reaching the torque/force stop and when the time stored in I29 has passed, and continues its run with velocity I33 until it reaches the next zero pulse.
3. The current actual position is set to the value of reference position I34 upon reaching the zero pulse.
4. The set values are set to the value 0 with deceleration I39.
5. If I43 is set to 1: Active, the drive is positioned at reference position I34.

6.5.1.1.18 Referencing method R

Referencing method R determines the reference using a run with a torque/force stop.



Preparation

1. Activate referencing method R by setting the following parameters to the specified values:
 I30 to 4: Torque/force stopper,
 I31 to 1: Negative,
 I35 to 0: Inactive.
2. I32, I33, I39, I44, I34:
 Define the set values necessary for referencing.
3. I28, I29:
 Define the torque/force limit. If the actual torque for the time stored in I29 is above the limit defined in I28 for an ongoing period, the torque/force limit is reached.

Information

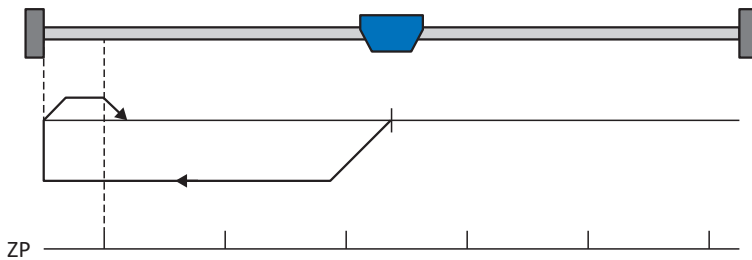
In case of a selected value for the torque/force variable that is too big, the machine can be damaged. In case of a selected value that is too small, an incorrect reference position may be applied.

Referencing

1. The drive starts in the negative direction with acceleration I39 and velocity I32.
2. The current actual position is set to the value of the reference position I34 when the torque/force stop is reached and the time stored in I29 has elapsed.
3. The set values are set to the value 0 with deceleration I39.
4. If I43 is set to 1: Active, the drive is positioned at reference position I34.

6.5.1.1.19 Referencing method S

Referencing method S determines the reference using a run with torque/force stop and zero pulse.



Preparation

1. Activate referencing method S by setting the following parameters to the specified values:
I30 to 4: Torque/force stopper,
I31 to 1: Negative,
I35 to 1: Active.
2. I32, I33, I39, I44, I34:
Define the set values necessary for referencing.
3. I28, I29:
Define the torque/force limit. If the actual torque for the time stored in I29 is above the limit defined in I28 for an ongoing period, the torque/force limit is reached.
4. I53:
Define the start of the search for the zero pulse search

Information

In case of a selected value for the torque/force variable that is too big, the machine can be damaged. In case of a selected value that is too small, an incorrect reference position may be applied.

Referencing

If the PLCopen command MC_Home is active, referencing takes places as follows:

1. The drive starts in the negative direction with acceleration I39 and velocity I32.
2. It changes its direction upon reaching the torque/force stop and after the time stored in I29 has passed, and continues its run with velocity I33 until it reaches the next zero pulse.
3. The current actual position is set to the value of reference position I34 upon reaching the zero pulse.
4. The set values are set to the value 0 with deceleration I39.
5. If I43 is set to 1: Active, the drive is positioned at reference position I34.

6.5.2 Reference position

Depending on the referencing type I30, the actual position I80 is replaced by the reference position I34 during the referencing event.

6.5.3 Reference retaining

STOBER offers a convenient drive-based referencing system. Depending on the encoder model used and the reference management, different types of reference retaining (I46) are offered.

6.5.4 Reference loss

Axis

In certain cases, an axis loses its reference and its state changes from I86 = 1: Active to I86 = 0: Inactive.

Normal operation (axis)

During normal operation, encoder faults or actions can lead to a loss of the reference. If the reference was deleted by an encoder event, it can subsequently be restored.

Information

Before restoring the reference, check the actual position displayed (I80). If in doubt, do the referencing again. If relative encoders are used or if the axis was still moving during the encoder fault, the actual position displayed may deviate from the real actual position of the axis.

Cause		Check and action
Event 76: Position encoder	Encoder fault	Actual position may still be correct, restoring the reference is possible: <ul style="list-style-type: none"> ▪ Check the actual position (I80). ▪ Confirm reference (I130) or re-reference axis
Event 37: Motor encoder	Encoder fault	When using the motor encoder as a position encoder (I02 = 0: Motor encoder), 2 faults are triggered (37: Motor encoder and 76: Position encoder); in display parameter E82 and in the fault memory it is possible that only one fault is displayed. Actual position may still be correct, restoring the reference is possible: <ul style="list-style-type: none"> ▪ Check the actual position (I80). ▪ Confirm reference (I130) or re-reference axis
Action I38	Deleted reference	Action I38 deletes the reference but does not change the actual position displayed. Actual position may still be correct, restoring the reference is not possible: <ul style="list-style-type: none"> ▪ Check the actual position (I80). ▪ Reference the axis again

Tab. 7: Reference loss of the axis in normal operation

Changing parameters (axis)

Changing individual parameters or transferring a new configuration with changed settings can lead to a loss of the reference.

Cause		Check and action
Changing parameters	Changed axis model	<p>Actual position is undefined if one of the following parameters was changed:</p> <ul style="list-style-type: none"> ▪ B26 Motor encoder ▪ C15 Gear ratio n1 ▪ C16 Gear ratio n2 ▪ C17 Feed constant numerator ▪ C18 Feed constant denominator ▪ I00 Position range ▪ I01 Circular length ▪ I02 Position encoder ▪ I03 Axis polarity ▪ I05 Type of axis ▪ I07 Distance factor numerator position ▪ I08 Distance factor denominator position <p>It is not possible to restore the reference:</p> <ul style="list-style-type: none"> ▪ Reference the axis again
Changing parameters	Changed encoder interface	<p>Actual position is undefined if a parameter of the H group was changed.</p> <p>It is not possible to restore the reference:</p> <ul style="list-style-type: none"> ▪ Reference the axis again

Tab. 8: Reference loss of the axis due to parameter changes

Restarting the drive controller (axis)

Depending on the encoder type and method for reference retaining (I46), the reference of a previously referenced axis is restored or deleted after a restart.

By default (I46 = 0: Normal), the reference for a multi-turn absolute encoder is retained after a restart if the axis was referenced with this encoder. In all other cases, the reference is deleted as soon as the drive controller is switched off.

The method for reference retaining can be adapted in I46. In addition to the preset, the following further options are available:

- Reference is retained if the measuring range covers the entire travel range
- Reference is retained as long as the position change in the switched-off state is less than the reference retention window (I48)
- Reference is retained regardless of the presence of an encoder
- Reference is retained regardless of the encoder type
- Reference is deleted when the drive controller is switched off

Special case of incorrect motor connection (axis)

If a motor is inadvertently connected to the incorrect axis or the incorrect drive controller, such as after a case of service, the drive controller behaves as follows after it is switched on:

- The axis changes to the non-referenced state (I86 = 0: Inactive)
- The actual position displayed is undefined

However, the information from the original motor and the associated reference data are stored in the drive controller. After switching off the drive controller, connecting the correct motor and restarting the drive controller, the reference is restored and the actual position is displayed correctly (prerequisites: multi-turn absolute encoder, referenced axis and preset for reference retaining I46 = 0: Normal).

Master encoder

Actual positions of the master encoder are used in the Drive Based Synchronous application for synchronous operation.

In all applications except the Drive Based Center Winder application, the actual position of the master encoder can be used to pass on the position of another encoder attached to the machine to the control system. The drive controller transfers the position from the encoder interface to the respective fieldbus.

Master encoders behave in a similar way to position encoders. In certain cases, a master encoder loses its reference and its state changes from G89 = 1: Active to G89 = 0: Inactive.

Normal operation (master encoder)

During normal operation, encoder faults can lead to a loss of the reference.

Cause		Check and action
Event 77: Master encoder	Encoder fault	Actual position of the master encoder is undefined, it is not possible to restore the reference: <ul style="list-style-type: none"> ▪ Reference the master encoder again

Tab. 9: Reference loss of the master encoder in normal operation

Changing parameters (master encoder)

Changing individual parameters or transferring a new configuration with changed settings can lead to a loss of the reference.

Cause		Check and action
Changing parameters	Changed axis model	<p>Actual position of the master encoder is undefined if one of the following parameters was changed:</p> <ul style="list-style-type: none"> ▪ G30 Position range master ▪ G40 Circular length master ▪ G47 Distance factor numerator master ▪ G48 Distance factor denominator master ▪ G104 Source master encoder <p>It is not possible to restore the reference:</p> <ul style="list-style-type: none"> ▪ Reference the master encoder again
Changing parameters	Changed encoder interface	<p>Actual position of the master encoder is undefined if a parameter of the H group was changed.</p> <p>It is not possible to restore the reference:</p> <ul style="list-style-type: none"> ▪ Reference the master encoder again

Tab. 10: Reference loss of the master encoder due to parameter changes

Restarting the drive controller (master encoder)

Depending on the encoder type and method for reference retaining (G35), the reference of a previously referenced master encoder is restored or deleted after a restart.

By default (G35 = 0: Normal), the reference for a multi-turn absolute encoder is retained after a restart if this encoder was used for referencing. In all other cases, the reference is deleted as soon as the drive controller is switched off.

The method for reference retaining can be adapted in G35. In addition to the preset, the following further options are available:

- Reference is retained if the measuring range covers the entire travel range
- Reference is retained as long as the position change in the switched-off state is less than the reference retention window (I48)
- Reference is retained regardless of the presence of an encoder
- Reference is retained regardless of the encoder type
- Reference is deleted when the drive controller is switched off

6.6 Drive Based device control

Drive Based device control is based on DRIVECOM profile drive technology 21; this profile describes the control sequence of a drive controller based on a device state machine. Each device state here represents a certain behavior that can be changed only through defined events. These events are assigned to individual state transitions.

Some of the conditions and responses coupled with the state transitions can be influenced specific to the user. For example, it is possible to define the end of a quick stop or enable delays in a way that is tailored to the respective application case (see wizard Drive Based device control).

The following chapters describe the device states and the possible state transitions associated with them. You will also learn whether certain actions are necessary on your part to reach the individual device states, what those actions are and which user-specific factors you can parameterize yourself.

6.6.1 Drive Based device state machine

The device state machine describes the different device states of the drive controller along with the possible state changes.

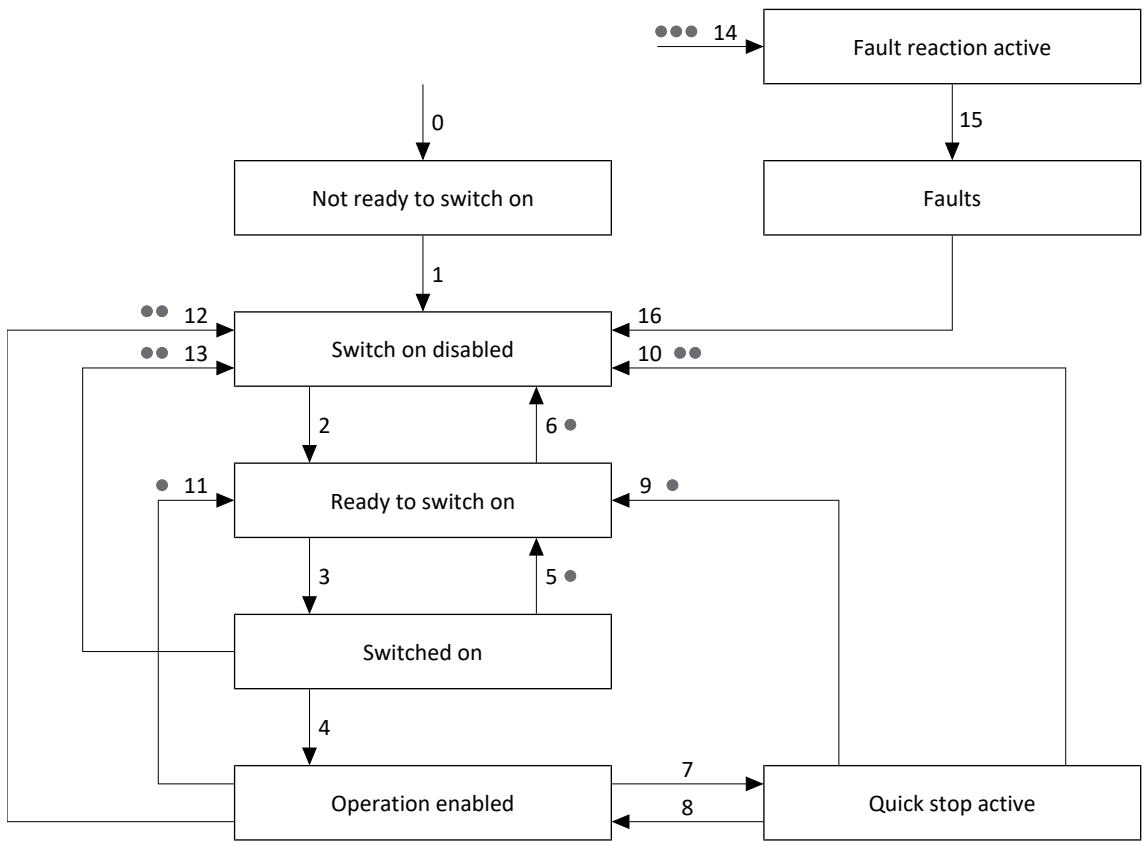


Fig. 39: Drive Based device state machine: device states and state changes

Priority levels are marked by dots. The more dots a state change has, the higher its priority. Accordingly, a state change without any dots has the lowest priority.

6.6.2 States, transitions and conditions

The states provided by Drive Based device control all have specific features. A state either transitions into another state automatically or requires certain actions from the user. There are also transition conditions that you can parameterize to be tailored to your application case using the Drive Based device control wizard.

Parameter E48 shows the current device state of a drive controller.

6.6.2.1 Key

The following terms are used in the descriptions of the states, transitions and conditions:

Term	Meaning
Enable active	Enable is active (A306 = 1: Active, source: terminal X1) AND, if you are working with an additional enable signal: Additional enable signal is active (A300 = 1: Active, source: A60)
Enable is inactive	Enable is inactive (A306 = 0: Inactive, source: terminal X1) OR, if you are working with an additional enable signal: Additional enable signal is inactive (A300 = 0: Inactive, source: A60)
Quick stop in case of Enable-off active	Quick stop in case of Enable-off is active (A44 = 1: Active)
Quick stop in case of Enable-off inactive	Quick stop in case of Enable-off is inactive (A44 = 0: Inactive)
Quick stop end	Standstill reached OR maximum quick stop duration has expired (A39) OR A45 = 1: No stop AND quick stop request is inactive
Quick stop duration expired	Maximum quick stop duration has expired (A39)
Autostart active	Autostart is active (A34 = 1: Active)
Autostart inactive	Autostart is inactive (A34 = 0: Inactive)

Tab. 11: States, transitions and conditions: Terms

6.6.2.2 Not ready to switch on

Features

- Drive controller and safety module are initialized and tested
- The power unit as well as drive and activation functions are locked
- Brakes remain engaged

Transition to Switch on disabled (1)

The drive controller switches to the *Switch on disabled* state automatically after initialization and successfully completing the self-test (typically approx. 30 s).

Transition to Fault reaction active (14), priority: ● ● ●

Fault with or without fault reaction

6.6.2.3 Switch on disabled

Features

- Initialization has been completed
- Self-test was successfully completed
- The power unit as well as drive and activation functions are locked
- Brakes are or remain engaged in the event of an inactive release override

Possible causes of a switch-on lockout include:

1. Enable is active (A306, A300) and Autostart is inactive (A34); cause only in the Switch on disabled state)
2. Insufficient or no supply voltage/DC link feed-in
3. Axis switching is active
4. Projected IGB motion bus is not active
5. STO safety function is active
6. Control panel or local operation is active (cause only in the Switch on disabled, Ready to switch on and Switched on states)

For the exact cause of a switch-on lockout, refer to parameter E49.

Application-specific parameterization

A34 Auto start:

If this parameter is enabled, the drive controller switches directly to the Ready to switch on state in case of a pending enable signal.

WARNING!

Injury to persons and material damage due to unexpected motor startup!

Only activate autostart if the standards and regulations applicable to the system or machine in question permit a direct switch to the Ready to switch on device state.

- In accordance with EN 61800-5-1, clearly mark an activated autostart on the system and in the associated system documentation.

Transition to Ready to switch on (2)

Enable inactive AND no cause for a switch-on lockout

OR

Enable active AND Autostart active AND no cause for a switch-on lockout

Transition to Fault reaction active (14), priority: ● ● ●

Fault with or without fault reaction

6.6.2.4 Ready to switch on

Features

- Power unit and drive function are disabled
- Drive controller is ready to switch on
- Brakes are or remain engaged in the event of an inactive release override

Application-specific parameterization

In addition to the enable signal at terminal X1, the Drive Based device state machine also supports the use of an additional enable signal, for example over a fieldbus or using digital inputs. The enable signal and additional enable signals are coupled by an AND link. In this case, the drive controller is enabled only if the value of both signals is [HIGH](#).

A60 Source additional enable:

If you are working with an additional enable signal, define the data source of the additional signal in this parameter. In the case of a fieldbus connection, A180 bit 0 supplies the additional enable signal.

Transition to Switched on (3)

Enable active

Transition to Switch on disabled (6), priority: ●

Cause for a switch-on lockout

Transition to Fault reaction active (14), priority: ● ● ●

Fault with or without fault reaction

6.6.2.5 Switched on

Features

- Power unit is ready for operation
- Drive function is locked; set values are not processed
- Brakes are or remain engaged in the event of an inactive release override

Transition to Operation enabled (4)

Enable active

Transition to Ready to switch on (5), priority: ●

Enable inactive

Transition to Switch on disabled (13), priority: ● ●

Cause for a switch-on lockout

Transition to Fault reaction active (14), priority: ● ● ●

Fault with or without fault reaction

6.6.2.6 Operation enabled

Information

SS1 and SS2 are executed in the **Operation enabled** state. SS2 always remains in this state. The brake does not engage in case of SS2, so continuing is possible without any wait time. SS1 leads to transition 9.

Features

- Power unit is switched on
- Drive function is enabled, set values are processed
- Brakes are released with the first active motion command

Application-specific parameterization

- **A43 Switch-off delay X1 enable:**
If the enable signal at terminal X1 of a safety relay is affected by OSSD test pulses, the drive controller cannot differentiate these signals from a functional enable-off. An incorrect interpretation of the test pulses can be avoided by defining a delay time in this parameter that is greater than the duration of the test pulses. This then eliminates unexpected switching of the drive controller to the states **Ready to switch on** or **Quick stop active** (see parameter A44).
- **A44 Quick stop at enable off:**
This parameter results in a drive being stopped with a quick stop in case of an inactive enable. In this case, the drive controller switches to the **Quick stop active** state. If parameter A44 is not activated, the drive switches to the **Ready to switch on** state in case of Enable-off. In this case, the drive is brought to an uncontrolled standstill, the power unit is disabled and axis movement is no longer controlled by the drive controller.
- **A29 Quick stop in case of fault**
This parameter results in a drive being stopped with a quick stop in case of a fault. In this case, the drive controller switches to the **Quick stop active** state. If parameter A29 is not activated, the drive switches to the **Fault reaction active** state in the event of a fault. In this case, the drive is brought to an uncontrolled standstill, the power unit is disabled and axis movement is no longer controlled by the drive controller.

Transition to Quick stop active (7)

Request for a quick stop

OR

Enable inactive AND quick stop in case of Enable-off active

Transition to Ready to switch on (11), priority: ●

Enable inactive AND quick stop in case of Enable-off inactive

Transition to Switch on disabled (12), priority: ● ●

Cause for a switch-on lockout

Transition to Fault reaction active (14), priority: ● ● ●

Fault with or without fault reaction

6.6.2.7 Quick stop active

Features

- Power unit is switched on; drive function is enabled
- A quick stop is executed
- Brakes remain released, brake engages at the end of the quick stop or at standstill
- Brake engaging ends the quick stop

Application-specific parameterization

- A39 Maximum quick stop duration for enable off:
If the drive is stopped with a quick stop in the case of an inactive enable signal (see A44), define the maximum time after which the power unit is switched off in this parameter.
- A45 Quick stop end:
Define whether a quick stop is ended with a standstill of the drive or by canceling the quick stop request in this parameter.
- A62 Source /quick stop:
Define how a requested quick stop is triggered in this parameter.

Transition to Operation enabled (8)

No quick stop request

AND

Enable active

AND

Quick stop end

Transition to Ready to switch on (9), priority: ●

Enable inactive AND quick stop in case of Enable-off inactive

OR

Enable inactive AND quick stop end

Transition to Switch on disabled (10), priority: ● ●

Cause for a switch-on lockout

Transition to Fault reaction active (14), priority: ● ● ●

Fault with or without fault reaction

6.6.2.8 Fault reaction active

Features

- A drive error has occurred
- Fault reaction is executed depending on the respective fault event
- Brakes are activated depending on the respective fault reaction

Application-specific parameterization

A29 Quick stop in case of fault:

If this parameter is activated, the drive is stopped with a quick stop, if possible, in case of fault; if the parameter is inactive, the movement of the axis is no longer controlled by the drive controller.

Transition to Fault (15)

Fault reaction finished

6.6.2.9 Fault

Features

- A drive error has occurred
- The fault reaction is finished
- The power unit as well as drive and activation functions are locked
- Brakes are engaged in the event of an inactive release override

Transition to Switch on disabled (16)

After remedying the fault cause and then acknowledging the fault message, the drive controller automatically switches to Switch on disabled.

6.7 Motion commands

The operating modes of the application feature special motion commands that are based on the PLCopen standard and are supplemented by three manufacturer-specific motion commands (MC_DoNothing, MC_MoveSpeed and MC_Winder). Any motion command – except MC_Stop – can be interrupted during execution. To be able to execute a motion command, the following requirements must be met:

- Local and jog mode must not be activated
- A drive controller must not be in the Switch on disabled or Fault device state

Command	Description	Control type	Necessary motion variables
0: MC_DoNothing	—	—	—
8: MC_MoveSpeed	Axis moves without end with set velocity (without position control)	Velocity	<ul style="list-style-type: none"> ▪ Velocity, override ▪ Acceleration ▪ Deceleration ▪ Jerk
4: MC_MoveVelocity	Axis moves without end with set velocity (with position control)	Position	<ul style="list-style-type: none"> ▪ Velocity, override ▪ Acceleration ▪ Deceleration ▪ Jerk
9: MC_TorqueControl	Axis moves without end with set torque/force	Torque/force	<ul style="list-style-type: none"> ▪ Torque/force
2: MC_MoveRelative	Axis moves a relative distance; set position is relative to the actual position at the start of the command	Position	<ul style="list-style-type: none"> ▪ Position ▪ Velocity, override ▪ Acceleration ▪ Deceleration ▪ Jerk
3: MC_MoveAdditive	Axis moves a relative distance; set position is relative to the set position of the previous motion command	Position	<ul style="list-style-type: none"> ▪ Position ▪ Velocity, override ▪ Acceleration ▪ Deceleration ▪ Jerk
1: MC_MoveAbsolute	Axis moves to an absolute set position (referencing necessary)	Position	<ul style="list-style-type: none"> ▪ Position ▪ Velocity, override ▪ Acceleration ▪ Deceleration ▪ Jerk
6: MC_Home	Axis is referenced	Depending on the selected referencing type	<ul style="list-style-type: none"> ▪ Velocity, override ▪ Acceleration ▪ Deceleration ▪ Jerk ▪ Torque/force

Command	Description	Control type	Necessary motion variables
11: MC_Halt	Axis is stopped; next command can be run before standstill	Velocity	<ul style="list-style-type: none"> ▪ Deceleration ▪ Jerk
5: MC_Stop	Axis is brought to a standstill; next command can be executed after standstill	Velocity	<ul style="list-style-type: none"> ▪ Deceleration ▪ Jerk
30: MC_Winder	Axis moves according to the control behavior of the center winder (L00)	Velocity	<ul style="list-style-type: none"> ▪ Material velocity ▪ Material tensile force ▪ Acceleration ▪ Deceleration ▪ Jerk

Tab. 12: Drive Based Center Winder: Available motion commands

For detailed information on the motion commands, refer to the associated manual (see [Detailed information](#) [▶ 164]).

6.8 Electronic nameplate

STÖBER synchronous servo motors are generally equipped with EnDat encoders that provide a special memory. This memory includes the electronic nameplate, i.e. all type-relevant master data as well as special mechanical and electronic values of a motor.

When you operate a drive controller with a STÖBER synchronous servo motor and an EnDat encoder, the electronic nameplate is read and all data transferred if the drive controller is connected online. This specifically includes job data, current controller values, motor parameters, data on motor temperature sensors, brakes, the commutation offset and the measured electromotive force. These can be manually optimized later and resaved in the drive controller.

Every time a drive controller is restarted, it checks whether the projected motor, the brake (if applicable), the motor temperature sensor or commutation have been changed. If so, the changed data is read out. The optimizations saved in the drive controller are maintained whenever possible.

The automatic read-out of the electronic nameplate is activated at the factory (B04 Electronic nameplate = 64: Active).

6.9 Lag monitoring

In Drive Based Center Winder type applications, you can monitor the lag of the axis with active position control in order to detect increasing position deviations at an early stage. Monitoring the lag allows you to react quickly before material damage can occur, e.g. in the event of stiffness or a mechanical blockage of the output.

To monitor the lag, the difference between the actual position of the axis and the set position x_{2_set} of the control is determined and compared with the maximum permissible lag (actual position: I80; set position: I96; permissible lag: I21; result: I187). If the permitted lag is exceeded, event 54: Following error is triggered with the corresponding protection level (protection level: U22).

7 Appendix

7.1 Standard mapping of Drive Based Center Winder

Information

For fieldbus communication via PROFINET, the processing of process data in some controllers is WORD-oriented (16 bits). In Drive Based applications, the standard mapping is pre-assigned appropriately. If changes are made to the standard mapping, take the parameter data type that you are adding to or removing from the mapping into account.

If you add or remove parameters of the BYTE or INT8 data type (8 bit), this can cause problems in the data structures of the controller. If necessary, use parameter A101 Dummy byte to fill the 8-bit gaps that result in the process data and implement the necessary data structure for the controller.

7.1.1 SD6: Drive Based Center Winder receive process data

The following table shows the standard mapping for the receive process data in the Drive Based Center Winder application. For fieldbus communication via PROFINET, the process data mapping is done via parameter A90 – A92. For fieldbus communication via EtherCAT, the process data mapping is done via parameter A225 – A228. If necessary, the standard mapping can be customized.

Byte	Data type	Name	Parameters
0	BYTE	Device control byte	A180
1	BYTE	Control byte command	1.J37
2 – 3	WORD	Control word application	I210
4	INT8	Command	1.J40
5	INT8	Motion-ID	1.J41
6 – 9	INT32	Position	1.J42
10 – 13	REAL32	Velocity 1	1.J43
14 – 17	REAL32	Velocity Override	1.J56
18 – 21	REAL32	Torque/Force reference	1.G469
22 – 23	WORD	Control word center winder	1.L150
24 – 27	REAL32	Diameter sensor actual value	1.L25
28 – 31	REAL32	Set material velocity	1.L405
32 – 35	REAL32	Actual material velocity	1.L450
36 – 39	REAL32	Set material tensile force	1.L496

Tab. 13: SD6: receive process data (standard mapping)

7.1.2 SD6: Drive Based Center Winder transmit process data

The following table shows the standard mapping for the transmit process data in the Drive Based Center Winder application. For fieldbus communication via PROFINET, the process data mapping is done via parameter A94 – A96. For fieldbus communication via EtherCAT, the process data mapping is done via parameter A233 – A236. If necessary, the standard mapping can be customized.

Byte	Data type	Name	Parameter
0	BYTE	Status byte device	E200[0]
1	BYTE	Status byte device	E200[1]
2 – 3	WORD	Status word 2	E201
4	BYTE	Status byte application	1.I212
5	BYTE	Status byte command	1.J39
6 – 7	WORD	Status word application	I200
8 – 11	INT32	Current position	1.I80
12 – 15	REAL32	Actual speed	1.I88
16 – 19	REAL32	Actual torque/force	E90
20 – 21	WORD	Status word user-defined	A67
22	INT8	Operating condition	E80
23	INT8	Device control state	E48
24 – 25	WORD	Status word center winder	1.L155
26 – 29	REAL32	Diameter filtered	1.L29

Tab. 14: SD6: transmit process data (standard mapping)

7.2 Detailed information

The documentation listed below provides you with further relevant information on the 6th STÖBER drive controller generation. The current status of the documentation can be found in our download center at:

<http://www.stoeber.de/en/downloads/>.

Enter the ID of the documentation in the search field.

Title	Documentation	Contents	ID
SD6 drive controller	Manual	System design, technical data, project configuration, storage, installation, connection, commissioning, operation, service, diagnostics	442426
PROFINET communication – SD6	Manual	Installation, electrical installation, data transfer, commissioning, diagnostics, detailed information	442710
EtherCAT communication – SD6	Manual	Installation, electrical installation, data transfer, commissioning, diagnostics, detailed information	442516
SE6 safety technology – Safe drive monitoring via terminals	Manual	Technical data, installation, commissioning, diagnostics	442796
ST6 safety technology – STO via terminals	Manual	Technical data, installation, commissioning, diagnostics, detailed information	442478
Motion commands	Manual	Control and status information, denials and limitations, motion	443349

7.3 Formula symbols

Symbol	Unit	Explanation
F	N	Force
M	Nm	Torque
M ₁	Nm	Torque at the gearbox input
M ₂	Nm	Torque at the gearbox output
M _{Rdyn}	Nm/1000 rpm	Dynamic frictional torque of the axis
M _{Rstat}	Nm	Static frictional torque of the axis
n	rpm	Speed
n ₁	rpm	Speed at gearbox input
n ₂	rpm	Speed at the gearbox output

7.4 Abbreviations

Abbreviation	Meaning
AI	Analog Input
ALT	Alternative
CAN	Controller Area Network
CB	Controller Based
CiA	CAN in Automation
CNC	Computerized Numerical Control
DI	Digital Input
EtherCAT	Ethernet for Control Automation Technology
IGB	Integrated Bus
LinM	Linear Motor
LS	Limit Switch
LSB	Least Significant Bit
M	Motor
M/F	Torque or force
MEnc	Motor Encoder
PEnc	Position Encoder
PROFINET	Process Field Network
RS	Reference Switch
S	Switch
PLC	Programmable Logic Controller
ZP	Zero Pulse

8 Contact

8.1 Consultation, service and address

We would be happy to help you!

We offer a wealth of information and services to go with our products on our website:

<http://www.stoeber.de/en/service>

For additional or personalized information, contact our consultation and support service:

<http://www.stoeber.de/en/support>

If you need our system support:

Phone +49 7231 582-3060

systemsupport@stoeber.de

If you need a replacement device:

Phone +49 7231 582-1128

replace@stoeber.de

Call our 24-hour service hotline:

Tel. +49 7231 582-3000

Our address:

STÖBER Antriebstechnik GmbH + Co. KG

Kieselbronner Strasse 12

75177 Pforzheim, Germany

8.2 Your opinion is important to us

We created this documentation to the best of our knowledge with the goal of helping you build and expand your expertise productively and efficiently with our products.

Your suggestions, opinions, wishes and constructive criticism help us to ensure and further develop the quality of our documentation.

If you want to contact us for a specific reason, we would be happy to receive an e-mail from you at:

documentation@stoeber.de

Thank you for your interest.

Your STÖBER editorial team

8.3 Close to customers around the world

We offer you committed, expert advice and support in over 40 countries worldwide:

STOBER AUSTRIA

www.stoerber.at
+43 7613 7600-0
sales@stoerber.at

STOBER FRANCE

www.stoerber.fr
+33 478 98 91 80
sales@stoerber.fr

STOBER ITALY

www.stoerber.it
+39 02 93909570
sales@stoerber.it

STOBER KOREA

www.stoerber.kr
+82 10 5681 6298
sales@stoerber.kr

STOBER SWITZERLAND

www.stoerber.ch
+41 56 496 96 50
sales@stoerber.ch

STOBER TURKEY

www.stoerber.com
+90 216 510 2290
sales-turkey@stoerber.com

STOBER USA

www.stoerber.com
+1 606 759 5090
sales@stoerber.com

STOBER CHINA

www.stoerber.cn
+86 512 5320 8850
sales@stoerber.cn

STOBER Germany

www.stoerber.de
+49 7231 582-0
sales@stoerber.de

STOBER JAPAN

www.stoerber.co.jp
+81-3-5875-7583
sales@stoerber.co.jp

STOBER SWEDEN

www.stoerber.com
+46 702 394 675
neil.arstad@stoerber.de

STOBER TAIWAN

www.stoerber.tw
+886 4 2358 6089
sales@stoerber.tw

STOBER UK

www.stoerber.co.uk
+44 1543 458 858
sales@stoerber.co.uk

List of figures

Fig. 1	DS6: Program interface	12
Fig. 2	DriveControlSuite: Navigation using text links and symbols	14
Fig. 3	Center winder operating mode: signal flows	45
Fig. 4	Dynamic frictional torque MRdyn	52
Fig. 5	Static frictional torque MRstat	53
Fig. 6	Example: Calculate MRdyn	53
Fig. 7	Example: Calculate MRstat	53
Fig. 8	Mass moment of inertia J (solid cylinder)	54
Fig. 9	Mass moment of inertia J (hollow cylinder)	54
Fig. 10	Command operating mode: signal flows	65
Fig. 11	Dynamic frictional torque MRdyn	73
Fig. 12	Static frictional torque MRstat	74
Fig. 13	Example: Calculate MRdyn	74
Fig. 14	Example: Calculate MRstat	74
Fig. 15	Mass moment of inertia J (solid cylinder)	75
Fig. 16	Mass moment of inertia J (hollow cylinder)	75
Fig. 17	Components and configuration steps	89
Fig. 18	Continuous Function Chart: analog input AI1 (F116 = 0: -10V to 10V)	92
Fig. 19	Continuous Function Chart: analog input AI1 (F116 = 1: 0 to 20mA)	92
Fig. 20	Continuous Function Chart: analog input AI1 (F116 = 2: 4 to 20mA)	92
Fig. 21	Continuous Function Chart: analog input AI2	93
Fig. 22	Continuous Function Chart: analog input AI3	93
Fig. 23	Additional counter function: Example	94
Fig. 24	Motor potentiometer: Linear and stepwise calculation	96
Fig. 25	Center winder: Types	103
Fig. 26	Structure: Center winder with open-loop velocity control	105
Fig. 27	Structure: Center winder with closed-loop velocity control	105
Fig. 28	Structure: Center winder with open-loop tensile force control	106
Fig. 29	Structure: Center winder with closed-loop tensile force control	107
Fig. 30	Structure: Center winder with dancer position control	108
Fig. 31	Center winder: Positive winding (winding from above)	113
Fig. 32	Center winder: Negative winding (winding from below)	113
Fig. 33	Center winder: Positive unwinding	114
Fig. 34	Center winder: Negative unwinding	114
Fig. 35	Center winder: frictional torque of the axis	115

Fig. 36	Center winder: mass moment of inertia of the axis.....	115
Fig. 37	Endless-rotational motion: Rotary table	118
Fig. 38	Hardware limit switch memory.....	122
Fig. 39	Drive Based device state machine: device states and state changes.....	152

List of tables

Tab. 1	Parameter groups.....	15
Tab. 2	Parameters: Data types, parameter types, possible values	16
Tab. 3	Parameter types.....	17
Tab. 4	Winding methods: Required motion variables.....	104
Tab. 5	Material tear monitoring: Algorithm.....	116
Tab. 6	Referencing methods	125
Tab. 7	Reference loss of the axis in normal operation.....	148
Tab. 8	Reference loss of the axis due to parameter changes	149
Tab. 9	Reference loss of the master encoder in normal operation	150
Tab. 10	Reference loss of the master encoder due to parameter changes	151
Tab. 11	States, transitions and conditions: Terms	153
Tab. 12	Drive Based Center Winder: Available motion commands	159
Tab. 13	SD6: receive process data (standard mapping).....	163
Tab. 14	SD6: transmit process data (standard mapping).....	163

Glossary

Actual material tensile force

Actual tensile force with which the material is wound onto or unwound from a winder case in the winding process.

Actual material velocity

Actual velocity at which the material is wound onto or unwound from a winder case in the winding process.

Broadcast domain

Logical grouping of network devices within a local network that reaches all nodes via broadcast.

Center winder

System that makes it possible to wind or unwind materials and in which the winder is driven by a shaft located in the center of the winder.

Control cascade

Complete model of the control structure with the position controller, velocity controller and current controller components.

Electronic nameplate

The synchronous servo motors are generally equipped with absolute encoders that provide special memory. This memory includes the electronic nameplate, i.e. all type-relevant master data as well as special mechanical and electronic values of a motor. When you operate a drive controller with a synchronous servo motor and an absolute encoder, the electronic nameplate is read and all motor data transferred if the drive controller is connected online. The drive controller automatically determines the associated limit values and control parameters from this data.

Frictional torque

Torque that arises if friction forces act on a rotating body and restrict its rotation.

i²t model

Computational model for thermal monitoring.

IPv4 limited broadcast

Type of broadcast in a network with IPv4 (Internet Protocol version 4). The IP address 255.255.255.255 is entered as the destination. The content of the broadcast is not forwarded by a router, which limits it to the local network.

Mass moment of inertia

Indicates the resistance of a rigid body to a change in its rotational movement about a given axis (torque divided by angular acceleration).

Material tensile force

Tensile force with which the material is wound onto or unwound from a winder case in the winding process.

Material velocity

Velocity at which the material is wound onto or unwound from a winder case in the winding process.

PID controller

Universal controller type with a P-, I- and D-share. These three adjustment parameters make the controller flexible and ensure exact and highly dynamic control. However, by implication, it also necessitates a wide variety of variants. It is that much more important to ensure careful construction that is well-coordinated to the system. The application areas for this controller type are control circuits with systems of the second order and higher, which must be stabilized quickly and do not allow for any permanent control deviation.

PROFINET

Open Ethernet standard of PROFIBUS Nutzerorganisation e. V. (PNO) for automation.

Set material tensile force

Target tensile force with which the material is to be wound onto or unwound from a winder case in the winding process.

Set material velocity

Target velocity at which the material is to be wound onto or unwound from a winder case in the winding process.

Winder

A system that allows winding or unwinding of materials.

Winder case

Case that serves as a carrier for the material in the winding process and onto which material is wound or from which material is unwound.

Winding

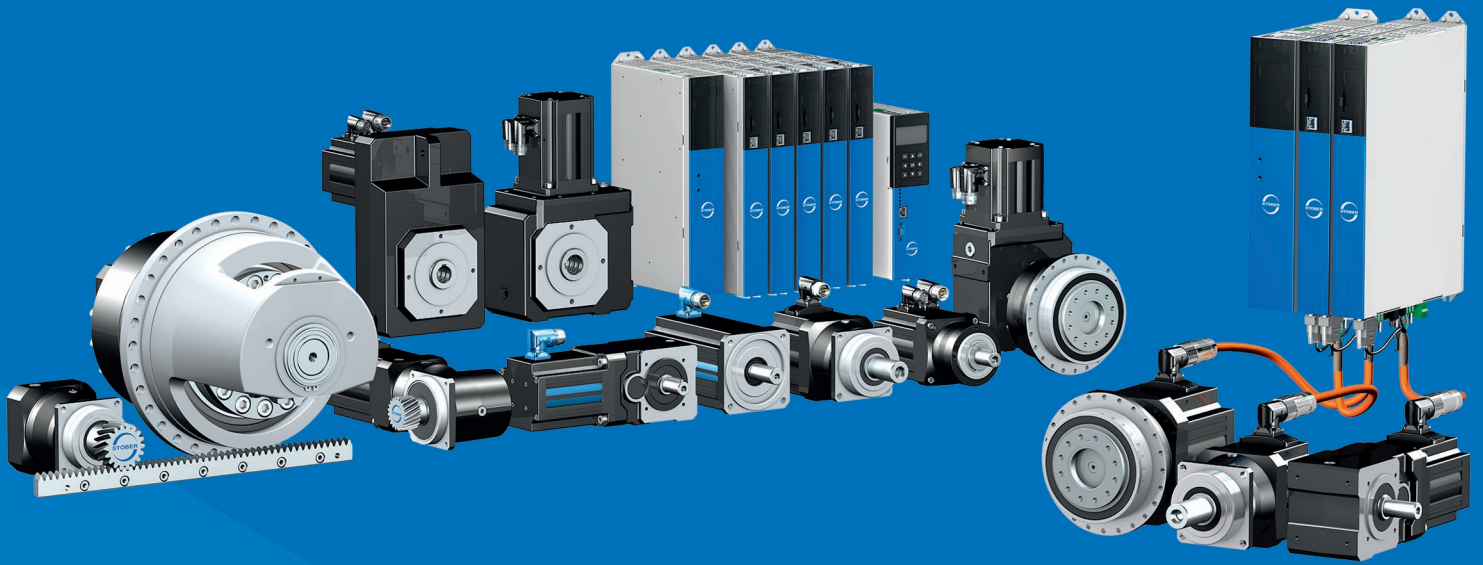
Unit consisting of a winder case and the material on it.

Winding diameter

Diameter of a winding.

Winding method

Method with which a material is wound onto or unwound from a winder case.



4 4 3 3 4 6 . 0 3

03/2025

STÖBER Antriebstechnik GmbH + Co. KG
Kieselbronner Str. 12
75177 Pforzheim
Germany
Tel. +49 7231 582-0
mail@stoerber.de
www.stoerber.com

24 h Service Hotline
+49 7231 582-3000

www.stoerber.com