

Selection Data

PHKX Series Dimensions – All Units

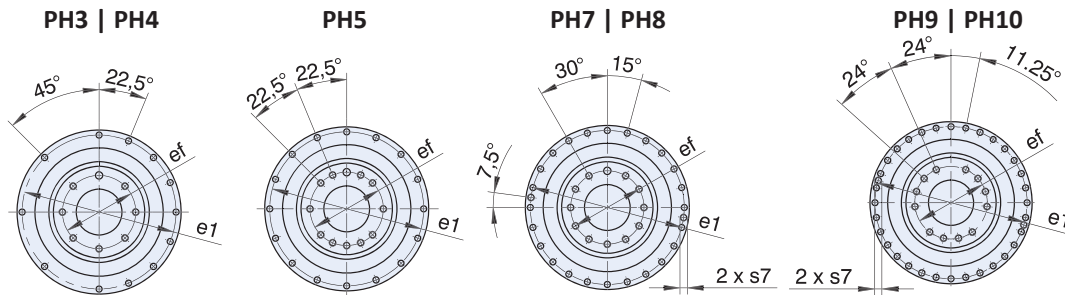
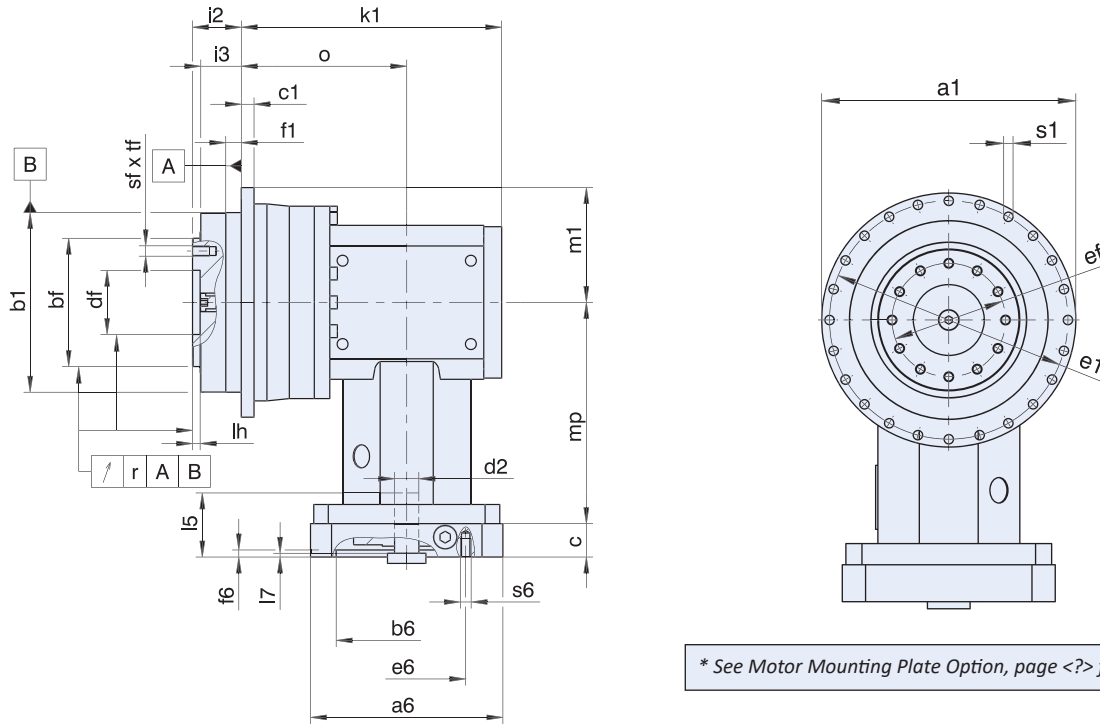


Table 1 Dimensions (mm)

| Unit | Øa1 | Øb1 | Øbf | c1 | Ødf | Øe1 | Øef | f1 | i2 | i3 | k1 | lh | m1 | mp | o | r | Øs1 | s7 | sf | tf |
|--------------|-------------------|-------------------|-------------------|----|--------------------|-----|-----|----|------|------|-------|----|-------|-------|-------|-------|------|-----|-----|----|
| PH331_KX301 | 86 ^{h7} | 64 ^{h7} | 40 ^{h7} | 4 | 20.0 ^{H6} | 79 | 32 | 7 | 19.5 | 16.5 | 113.5 | 4 | 43.0 | 95.5 | 73.5 | 0.020 | 4.5 | - | M5 | 7 |
| PH332_KX301 | 86 ^{h7} | 64 ^{h7} | 40 ^{h7} | 4 | 20.0 ^{H6} | 79 | 32 | 7 | 19.5 | 16.5 | 147.0 | 4 | 43.0 | 95.5 | 107.0 | 0.020 | 4.5 | - | M5 | 7 |
| PH431_KX401 | 118 ^{h7} | 90 ^{h7} | 63 ^{h7} | 7 | 31.5 ^{H6} | 109 | 50 | 10 | 30.0 | 24.0 | 139.0 | 6 | 59.0 | 104.0 | 89.0 | 0.020 | 5.5 | - | M6 | 11 |
| PH432_KX301 | 118 ^{h7} | 90 ^{h7} | 63 ^{h7} | 7 | 31.5 ^{H6} | 109 | 50 | 10 | 30.0 | 24.0 | 161.5 | 6 | 59.0 | 95.5 | 121.5 | 0.020 | 5.5 | - | M6 | 11 |
| PH531_KX501 | 145 ^{h7} | 110 ^{h7} | 80 ^{h7} | 8 | 40.0 ^{H6} | 135 | 63 | 12 | 29.0 | 23.0 | 168.0 | 6 | 72.5 | 132.0 | 109.0 | 0.020 | 5.5 | - | M6 | 11 |
| PH532_KX401 | 145 ^{h7} | 110 ^{h7} | 80 ^{h7} | 8 | 40.0 ^{H6} | 135 | 63 | 12 | 29.0 | 23.0 | 187.5 | 6 | 72.5 | 104.0 | 137.5 | 0.020 | 5.5 | - | M6 | 11 |
| PH731_KX701 | 179 ^{h7} | 140 ^{h7} | 100 ^{h7} | 10 | 50.0 ^{H6} | 168 | 80 | 12 | 38.0 | 32.0 | 203.0 | 6 | 89.5 | 172.5 | 129.0 | 0.025 | 6.6 | - | M8 | 14 |
| PH732_KX501 | 179 ^{h7} | 140 ^{h7} | 100 ^{h7} | 10 | 50.0 ^{H6} | 168 | 80 | 12 | 38.0 | 32.0 | 226.0 | 6 | 89.5 | 132.0 | 167.0 | 0.025 | 6.6 | - | M8 | 14 |
| PH831_KX701 | 247 ^{h7} | 200 ^{h7} | 160 ^{h7} | 12 | 80.0 ^{H6} | 233 | 125 | 15 | 50.0 | 42.0 | 235.5 | 8 | 123.5 | 172.5 | 161.5 | 0.030 | 9.0 | M10 | M10 | 18 |
| PH832_KX701 | 247 ^{h7} | 200 ^{h7} | 160 ^{h7} | 12 | 80.0 ^{H6} | 233 | 125 | 15 | 50.0 | 42.0 | 293.0 | 8 | 123.5 | 172.5 | 219.0 | 0.030 | 9.0 | M10 | M10 | 18 |
| PH942_KX701 | - | 255 ^{h7} | 180 ^{h7} | 18 | 90.0 ^{H6} | 280 | 140 | 20 | 66.0 | 55.0 | 336.0 | 12 | 150.0 | 172.5 | 262.0 | 0.030 | 13.5 | M8 | M16 | 24 |
| PH1042_KX701 | - | 285 ^{h7} | 200 ^{h7} | 20 | 95.0 ^{H6} | 310 | 160 | 20 | 75.0 | 60.0 | 343.0 | 10 | 165.0 | 172.5 | 269.0 | 0.040 | 13.5 | M10 | M20 | 28 |

Example dimensions for the motor connection

| Unit | Øb6 | Øe6 | Ød2max | l5 | □a6 | c | f6 | l7 | s6 |
|-------------|-------------------|-----|--------|----|-----|----|-----|-----|-----|
| PH_KX301_MF | 60 ^{H7} | 75 | 19 | 40 | 75 | 18 | 3.5 | 5.5 | M5 |
| PH_KX401_MF | 95 ^{H7} | 115 | 24 | 42 | 100 | 21 | 4.0 | 4.5 | M8 |
| PH_KX501_MF | 110 ^{H7} | 130 | 32 | 53 | 120 | 24 | 4.0 | 5.0 | M8 |
| PH_KX701_MF | 130 ^{H7} | 165 | 38 | 64 | 150 | 26 | 5.5 | 8.0 | M10 |

In the table above, you will find example dimensions for the motor connection for the MF motor adapter. Note that when dimension c is lengthened (depending on the motor used), dimensions c6, l5 and l6 are also lengthened accordingly.

PHKX Series: RIGHT ANGLE – Flange Output