

EZ motors in combination with Kollmorgen Servostar S300-700 Information on compatibility

en-US
04/2026
ID 443236_en.02

Table of contents

1	Foreword	3
2	Information on this documentation	4
2.1	Timeliness	4
2.2	Original language.....	4
2.3	Limitation of liability	4
2.4	Formatting conventions	4
2.4.1	Distinction of text elements	4
2.5	Trademarks.....	5
3	Connection	6
3.1	Possible combinations with drive controllers.....	6
3.2	Encoders	6
3.3	Resolver	7
3.4	Two-cable solution	7
3.4.1	Connection assignment of the power plug connector	7
3.4.2	Connection assignment of the encoder plug connector.....	8
3.4.3	Plug connectors	9
4	Commissioning	11
4.1	Parameterizing the motor	11
5	Appendix	12
5.1	Further information.....	12
5.2	Abbreviations	12
6	Contact	13
6.1	Consultation, service and address.....	13
6.2	Your opinion is important to us.....	13
6.3	Close to customers around the world	14

1 Foreword

The STÖBER synchronous servo motors of the EZ series can be operated with drive controllers from a wide range of manufacturers – for example with the *Servostar S300–700* servo drives from Kollmorgen (referred to below as drive controllers).

The encoders, temperature sensors, plug connectors and terminal assignments of the STÖBER motors are compatible with the aforementioned drive controllers. We recommend using only original cables from Kollmorgen.

2 Information on this documentation

This documentation contains information on the compatibility of STÖBER synchronous servo motors of the EZ series with the Servostar S300–700 drive controllers from Kollmorgen. The relevant operating manual applies to installation, connection and commissioning.

2.1 Timeliness

Check whether you have the latest version of this documentation. The latest document versions for our products are available for download on our website:

<http://www.stoeber.de/en/downloads/>.

2.2 Original language

The original language of this documentation is German; all other language versions are derived from the original language.

2.3 Limitation of liability

This documentation was created taking into account the applicable standards and regulations as well as the current state of technology.

No warranty or liability claims for damage shall result from failure to comply with the documentation or from use that deviates from the intended use of the product. This is especially true for damage caused by individual technical modifications to the product or the project configuration and operation of the product by unqualified personnel.

2.4 Formatting conventions

Orientation guides in the form of signal words, symbols and special text markups are used to emphasize specific information so that you are able identify it in this documentation quickly.

2.4.1 Distinction of text elements

Certain elements of the continuous text are distinguished as follows.

Important information	Words or expressions with a special meaning
Interpolated position mode	Optional: File or product name or other name
<u>Detailed information</u>	Internal cross-reference
http://www.samplelink.com	External cross-reference

2.5 Trademarks

The following names used in connection with the device, its optional equipment and its accessories are trademarks or registered trademarks of other companies:

EnDat®	EnDat® and the EnDat® logo are registered trademarks of Dr. Johannes Heidenhain GmbH, Germany.
INTERCONTEC®	INTERCONTEC® is a registered trademark of TE Connectivity Industrial GmbH, Germany.
SERVOSTAR®	SERVOSTAR® is a registered trademark of Kollmorgen Corporation, USA.

All other trademarks not listed here are the property of their respective owners.

Products that are registered as trademarks are not specially indicated in this documentation. Existing property rights (patents, trademarks, protection of utility models) are to be observed.

3 Connection

The terminal assignment of the plug connectors of STÖBER synchronous servo motors of the EZ series – in the version for Kollmorgen drive controllers – is identical to that of the motors from Kollmorgen. The customer can therefore obtain and connect the corresponding Kollmorgen original cables. STÖBER does not offer any connection cables for Kollmorgen drive controllers, but can recommend an appropriate cable family on request.

3.1 Possible combinations with drive controllers

The following table shows the possible combinations of STÖBER synchronous servo motors with drive controllers from Kollmorgen depending on the encoder model.

Drive controller		Servostar S300-700 EnDat 2.2/EnDat 2.1/resolver	
Drive controller code		FE	
Connection plan ID		442311	
Encoder	Encoder code		
EnDat 2.2 EQI 1131 Safety	S2		EZ
EnDat 2.1 EQN 1125	Q4		EZ
Resolvers	R0		EZ

The encoder and drive controller codes are a part of the type designation of the motor.

3.2 Encoders

Encoders with EnDat 2.2 interface

Encoder model	Code	Measuring method	Recordable revolutions	Resolution	Position values per revolution	MTTF [years]	PFH [h]
EnDat 2.2 EQI 1131 Safety	S2	Inductive	4096	19 bit	524288	> 100	$\leq 15 \times 10^{-9}$

Encoders with EnDat 2.1 interface

Encoder model	Code	Measuring method	Recordable revolutions	Resolution	Position values per revolution	Periods per revolution	MTTF [years]	PFH [h]
EnDat 2.1 EQN 1125	Q4	Optical	4096	13 bit	8192	Sin/cos 512	> 57	$\leq 2 \times 10^{-6}$

Notes

- The encoder code is a part of the type designation of the motor.
- Safety = Safety-related position measuring system for use in safety-oriented applications.
- Multiple revolutions of the motor shaft can be recorded only using multi-turn encoders.

3.3 Resolver

In this chapter, you can find detailed technical data for the resolver that can be installed as an encoder in a STÖBER motor.

Feature	Description
Code	R0
Number of poles	2
Input voltage U_{1eff}	$7\text{ V} \pm 5\%$
Input frequency f_1	10 kHz
Output voltage $U_{2,S1-S3}$	$K_{tr} \cdot U_{R1-R2} \cdot \cos \theta$
Output voltage $U_{2,S2-S4}$	$K_{tr} \cdot U_{R1-R2} \cdot \sin \theta$
Transformation ratio K_{tr}	$0.5 \pm 5\%$
Electrical fault	± 10 arcmin
MTTF	> 100 years
PFH	$\leq 10^{-9}$

3.4 Two-cable solution

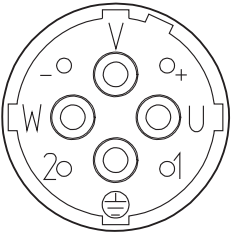

3.4.1 Connection assignment of the power plug connector

The size and connection diagram of the power plug connector depend on the size of the motor.

Plug connector size con.23

Connection diagram	Pin	Connection
	1	1U1 (U phase)
	3	1W1 (W phase)
	4	1V1 (V phase)
	A	1BD1 (brake +)
	B	1BD2 (brake -)
	C	
	D	
		PE (grounding conductor)

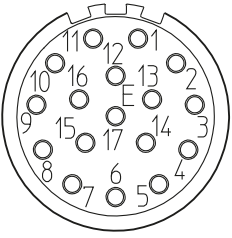
Plug connector size con.40

Connection diagram	Pin	Connection
	U	1U1 (U phase)
	V	1V1 (V phase)
	W	1W1 (W phase)
	+	1BD1 (brake +)
	-	1BD2 (brake -)
	1	
	2	
		PE (grounding conductor)

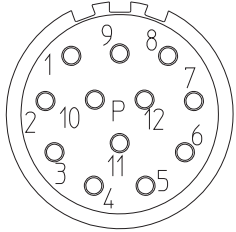
3.4.2 Connection assignment of the encoder plug connector

The size and terminal assignment of the encoder plug connectors depend on the model of encoder installed and the size of the motor.

EnDat 2.1 encoder with sin/cos incremental signals, plug connector size con.23

Connection diagram	Pin	Connection
	1	B - (Sin -)
	2	0 V GND
	3	A - (Cos -)
	4	Up +
	5	Data +
	6	
	7	1TP1 (temperature sensor +)
	8	Clock +
	9	B + (Sin +)
	10	0 V sense
	11	A + (Cos +)
	12	Up sense
	13	Data -
	14	1TP2 (temperature sensor -)
	15	Clock -
	16	
	17	

Resolver, plug connector size con.23

Connection diagram	Pin	Connection
	1	
	2	1TP1 (temperature sensor +)
	3	S4 Sin +
	4	S3 Cos +
	5	R2 Ref +
	6	1TP2 (temperature sensor -)
	7	S2 Sin -
	8	S1 Cos -
	9	R1 Ref -
	10	
	11	
	12	

3.4.3 Plug connectors

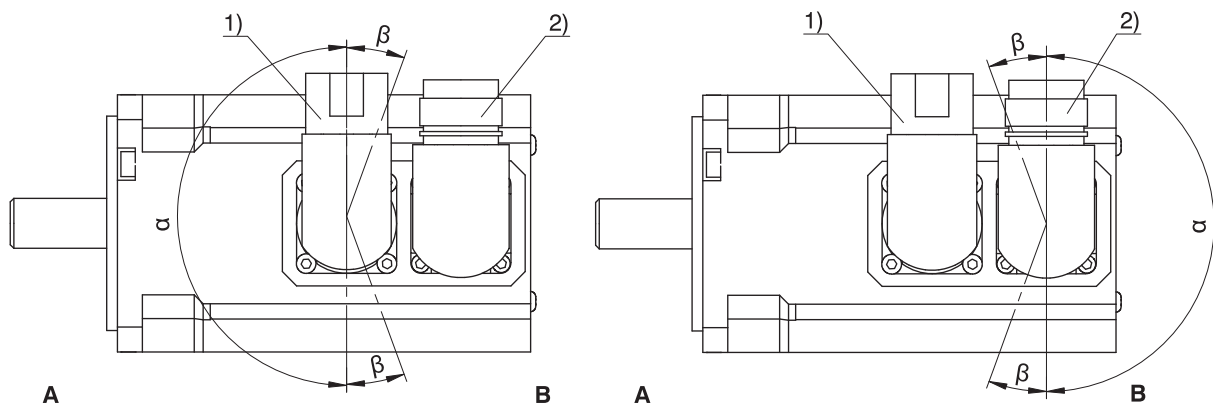
In the standard version, STÖBER synchronous servo motors are equipped with rotatable plug connectors¹ for power and encoder connections. You can find detailed technical information about the plug connectors at <http://www.intercontec.biz>.

For motors with forced ventilation, avoid collisions between the motor connection cables and the plug connector of the forced ventilation unit. In the event of a collision, rotate the plug connectors of the motor by the required angle.

For winding protection, STÖBER uses PTC or Pt1000 temperature sensors, which are selected to match the drive. In a two-cable solution, the temperature sensor connections are routed via the encoder plug connector.

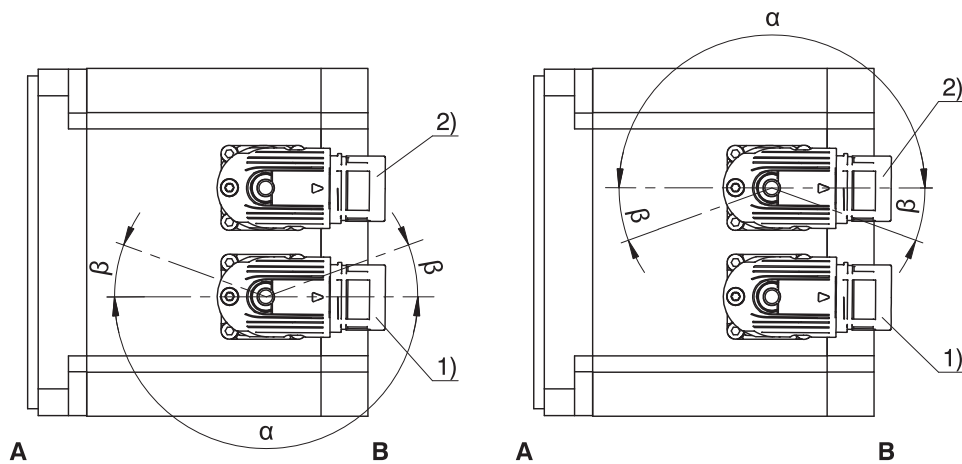
The figures represent the position of the plug connectors upon delivery.

Turning ranges of plug connectors (EZ2 – EZ3 motors)



¹The connectors can be pivoted up to 10 times at a specific angle. They cannot be rotated repeatedly.

Turning ranges of plug connectors (EZ4 – EZ8 motors)



- | | | | |
|---|--|---|------------------------|
| 1 | Power plug connector | 2 | Encoder plug connector |
| A | Attachment or output side of the motor | B | Not output side |

Power plug connector features

Motor type	Size	Connection	Turning range	
			α	β
EZ2, EZ3	con.23	Quick-lock	180°	120°
EZ4, EZ5, EZ701, EZ702, EZ703	con.23	Quick-lock	180°	40°
EZ705, EZ8	con.40	Quick-lock	180°	40°

Encoder plug connector features

Motor type	Size	Connection	Turning range	
			α	β
EZ2, EZ3	con.23	Quick-lock	180°	120°
EZ4, EZ5, EZ7, EZ8	con.23	Quick-lock	190°	35°

Notes

- The number after "con." indicates the approximate external thread diameter of the plug connector in mm (for example, con.23 designates a plug connector with an external thread diameter of about 23 mm).
- In turning range β , the power or encoder plug connectors can be turned only if doing so does not cause them to collide.

4 Commissioning

Only put the motor into operation if you have reviewed its installation and connection in accordance with the associated operating manual, as well as all other necessary requirements specific to your system. In addition, follow the instructions for commissioning your drive controller in the third-party manufacturer's documentation.

4.1 Parameterizing the motor

After the motor has been installed and connected to the corresponding drive controller, parameterization takes place in Kollmorgen's DriveGUI commissioning software.

As a specific parameterization list is required for this, please contact STÖBER System Support at systemsupport@stoerber.de and send either your order number or the series, size and type designation of the motor as well as the type of drive controller used. You will receive the requested list immediately by e-mail.

The electronic nameplate of STÖBER motors is not read by Kollmorgen drive controllers. Only the commutation offset is stored in the encoder memory and can be read out by the drive controller.

Information

The commutation offset of the motor comes from the factor set in such a way that calibration by the customer is not necessary.

5 Appendix

5.1 Further information

The documentation listed below provides you with further relevant information on the motors. The current status of the documentation can be found in our download center at:

<http://www.stoeber.de/en/downloads/>.

Enter the ID of the documentation in the search.

Title	Documentation	Contents	ID
Synchronous Servo Motors EZ	Operating manual	Technical data, transport and storage, installation, connection, commissioning, service	443032_en

The documentation for the drive controller and a current version of the DriveGUI commissioning software are available in the download area of Kollmorgen at:

<https://www.kollmorgen.com/en-us/developer-network/downloads>.

5.2 Abbreviations

Abbreviation	Meaning
GND	Ground
PE	Protective Earth (grounding conductor)
PTC	Positive Temperature Coefficient

6 Contact

6.1 Consultation, service and address

We would be happy to help you!

We offer a wealth of information and services to go with our products on our website:

<http://www.stoeber.de/en/service>

For additional or personalized information, contact our consultation and support service:

<http://www.stoeber.de/en/support>

If you need our system support:

Phone: +49 7231 582-3060

systemsupport@stoeber.de

If you need a replacement device:

Phone: +49 7231 582-1128

replace@stoeber.de

Call our 24-hour service hotline:

Phone: +49 7231 582-3000

Our address is:

STÖBER Antriebstechnik GmbH + Co. KG

Kieselbronner Strasse 12

75177 Pforzheim, Germany

6.2 Your opinion is important to us

We created this documentation to the best of our knowledge with the goal of helping you build and expand your expertise productively and efficiently with our products.

Your suggestions, opinions, wishes and constructive criticism help us to ensure and further develop the quality of our documentation.

If you want to contact us for a specific reason, we would be happy to receive an e-mail from you at:

documentation@stoeber.de

Thank you for your interest.

Your STÖBER editorial team

6.3 Close to customers around the world

We offer you committed, expert advise and support in over 40 countries worldwide:

STOBER AUSTRIA

www.stoeber.at
+43 7613 7600-0
sales@stoeber.at

STOBER FRANCE

www.stober.fr
+33 478 98 91 80
sales@stober.fr

STOBER ITALY

www.stober.it
+39 02 93909570
sales@stober.it

STOBER KOREA

www.stober.kr
+82 10 5681 6298
sales@stober.kr

STOBER SWITZERLAND

www.stoeber.ch
+41 56 496 96 50
sales@stoeber.ch

STOBER TURKEY

www.stober.com
+90 216 510 2290
sales-turkey@stober.com

STOBER USA

www.stober.com
+1 606 759 5090
sales@stober.com

STOBER CHINA

www.stoeber.cn
+86 512 5320 8850
sales@stoeber.cn

STOBER Germany

www.stoeber.de
+49 7231 582-0
sales@stoeber.de

STOBER JAPAN

www.stober.co.jp
+81-3-5875-7583
sales@stober.co.jp

STOBER SWEDEN

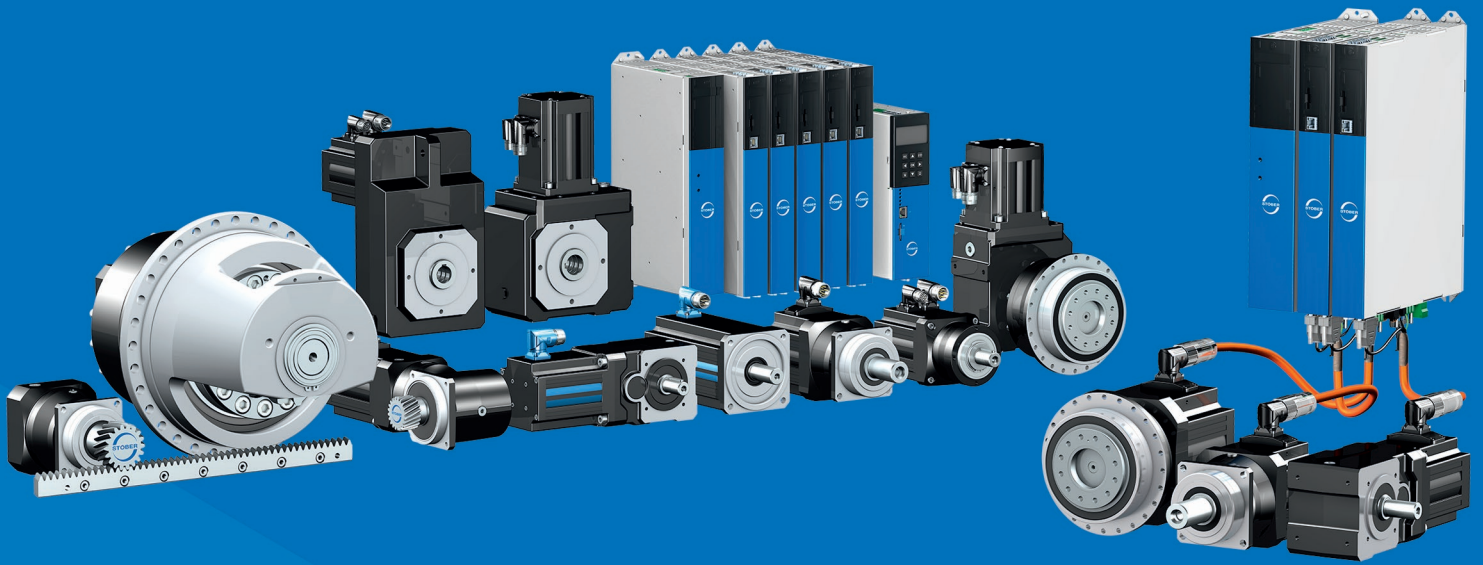
www.stober.com
+46 702 394 675
neil.arstad@stoeber.de

STOBER TAIWAN

www.stober.tw
+886 4 2358 6089
sales@stober.tw

STOBER UK

www.stober.co.uk
+44 1543 458 858
sales@stober.co.uk



4 4 3 2 3 6 E N . 0 2

04/2026

STÖBER Antriebstechnik GmbH + Co. KG
Kieselbronner Str. 12
75177 Pforzheim
Germany
Tel. +49 7231 582-0
mail@stoeber.de
www.stober.com

24 h Service Hotline
+49 7231 582-3000

www.stober.com