



STÖBER

NEW STÖBER STABILIZING BRACKET

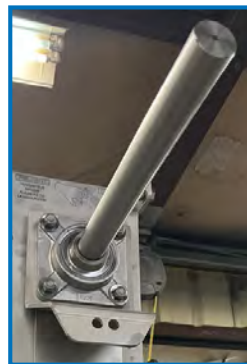
Tired of repeatedly replacing the same failing gearbox? Struggling to find a solution that bolts in place? Frustrated by waiting for someone to weld a mounting bracket? STÖBER can eliminate all these issues with our newly-developed Stabilizer Bracket!

STÖBER's Stabilizer Bracket works in conjunction with a four-bolt (205, 206, 207, or 208) Flanged Bearing and a KSS Tear Drop Torque Arm. Removing any weldment needs, the Stabilizer Bracket makes an extended shaft the only requirement to switch to STÖBER if moving to wobble free bushing.

A great retrofit for current equipment, the Stabilizer Bracket eliminates the need for fabrication or welding—just drop a KSS into any shaft-mounted reducer using a four-bolt flange.



**SIMPLIFIES
INSTALLATION
AND SAVES
TIME**



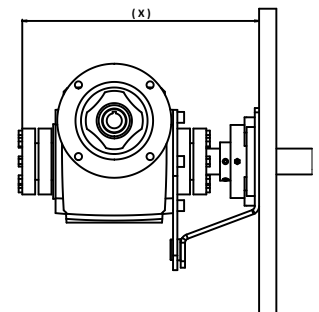
KIT PART NUMBERS

- CS137450 (205/206 Flanged Bearing)
- CS137367 (207/208 Flanged Bearing)
- CS137361 (205/206 A-Quill Bearing)
- CS137562 (207/208 A-Quill Bearing)

REQUIRED SHAFT LENGTHS

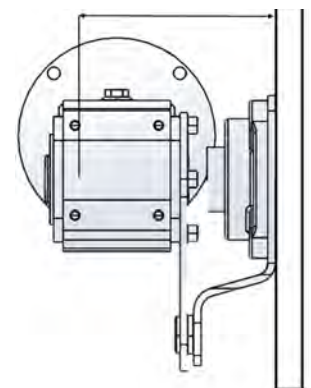
Wobble Free Bushing Length

Unit/Flange Bearing	205/206	207/208
KSS1	10.20	-
KSS2	11.4	11.94
KSS3	10.87	12.42
KSS4	13.19	13.73



Hollow A Quill Length

Unit/Flange Bearing	205/206	207/208
KSS1	6.63	-
KSS2	7.24	7.33
KSS3	7.69	7.78
KSS4	8.93	9.02



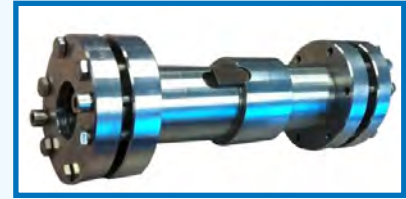
*"This will save 30 minutes on install time."
-Maintenance Manager*

**NO WELDING
NO FABRICATION**



Wobble Free Bushing Design Advantages

- Easy installation and removal
- Utilize multiple shaft sizes to help with store room optimization
- Remove harborage points
- Mount on standard, cold finished ground or stainless shafting
- Mount on a keyed or non-keyed shaft
- 17-4H11-50 stainless material prevents fretting corrosion



“Never cut a shaft off again”

KSS Series (Stainless Steel)

		KSS1	KSS2			KSS3				
Wobble Free Bushing	Inches	1	1 1-3/16	1-1/4	1-3/8	1-7/16	1-1/2	1 1-3/8	1-7/16	1-1/2
	Metric	25	30	35				30	35	



World's Toughest Gearbox
Best components and quality



Quick Delivery
Build & Ship in 1 Day



24/7, 365 Support
Real people all the time

9.1 YEARS

Average mean time to failure for STOBER gearboxes in 24/7 harsh environment application.

Asset reliability means you can depend on a STOBER gear reducer for years, increasing profits and surpassing plant efficiency and targets.

