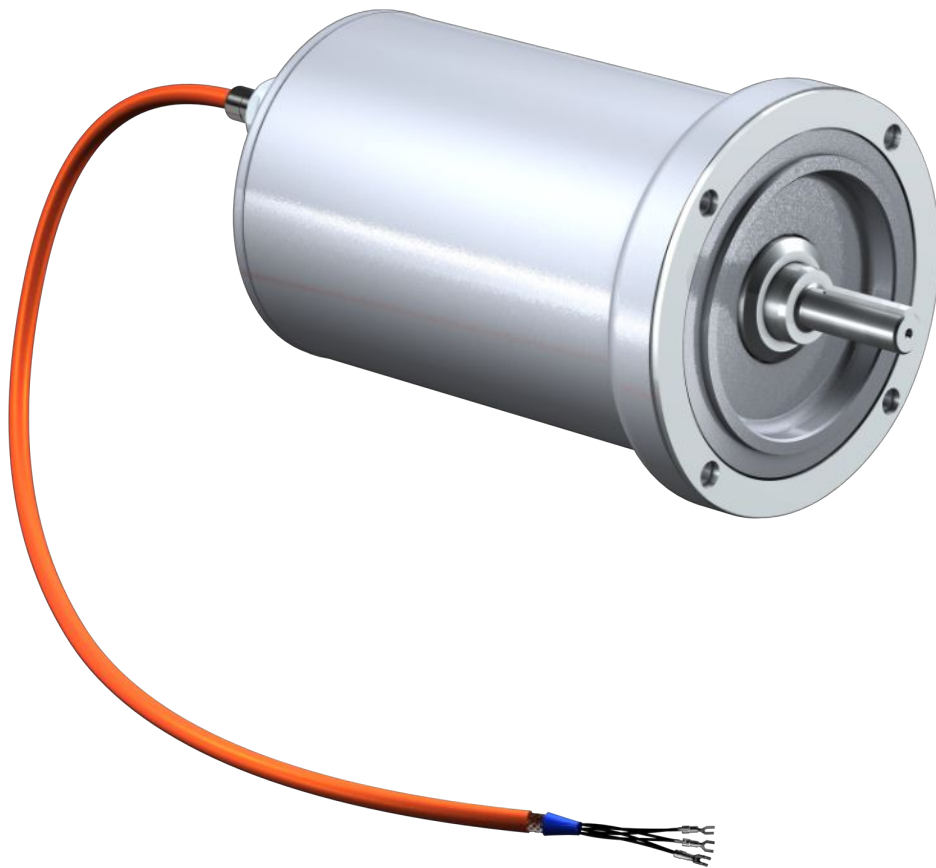




**STÖBER**

Replacement part list

**CLM cLEAN motors**



[stober.com](https://www.stober.com)

en-US  
05/2024  
ID 443442\_en.00

## Table of contents

<b>1</b>	<b>User information .....</b>	<b>3</b>
1.1	Type designation .....	3
1.2	Nameplate .....	4
1.3	Additional documentation .....	4
<b>2</b>	<b>CLM motors .....</b>	<b>5</b>

# 1 User information

This replacement parts list is intended to make ordering replacement parts easier; however, it cannot replace repair instructions.

All standard versions of the motor are presented in this document. Using the nameplate, the type designation and your order documents, you can find the chapters that correspond to your product. Specify the type designation and serial number of the motor as well as the corresponding item number from this replacement parts list when requesting replacement parts.

Have the motor repaired only by STOBBER service or STOBBER service partners. Only use replacement parts delivered by STOBBER. Be aware that improper repair work may cause material damage and may void the manufacturer's warranty.

Note that not all modules shown can be ordered individually.

## 1.1 Type designation

### Example code

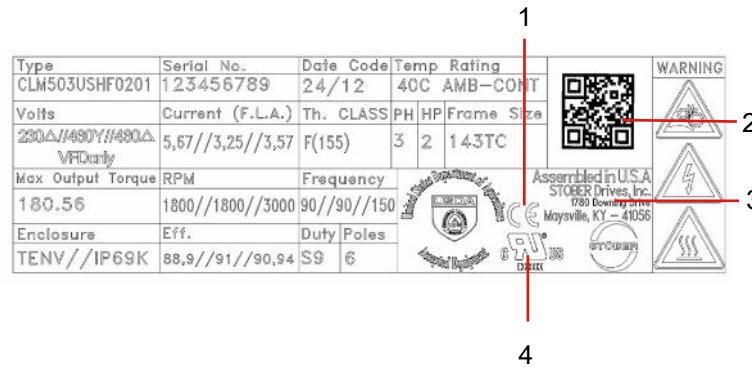
<b>CLM</b>	<b>5</b>	<b>0</b>	<b>3</b>	<b>U</b>	<b>S</b>	<b>HF</b>	<b>O</b>	<b>201</b>
------------	----------	----------	----------	----------	----------	-----------	----------	------------

### Explanation

Code	Designation	Design
<b>CLM</b>	Type	cLEAN motor
<b>5</b>	Size	5 (example)
<b>0</b>	Generation	0
<b>3</b>	Length	3 (example)
<b>U</b>	Cooling	Convection cooling
<b>S</b>	Design	Standard
<b>HF</b>	Drive controller	MH300 (example)
<b>O</b>	Brake	Without brake
<b>201</b>	Voltage constant $K_{EM}$	201 V/1000 rpm (example)

## 1.2 Nameplate

An example nameplate of an CLM503 motor is explained in the figure below.

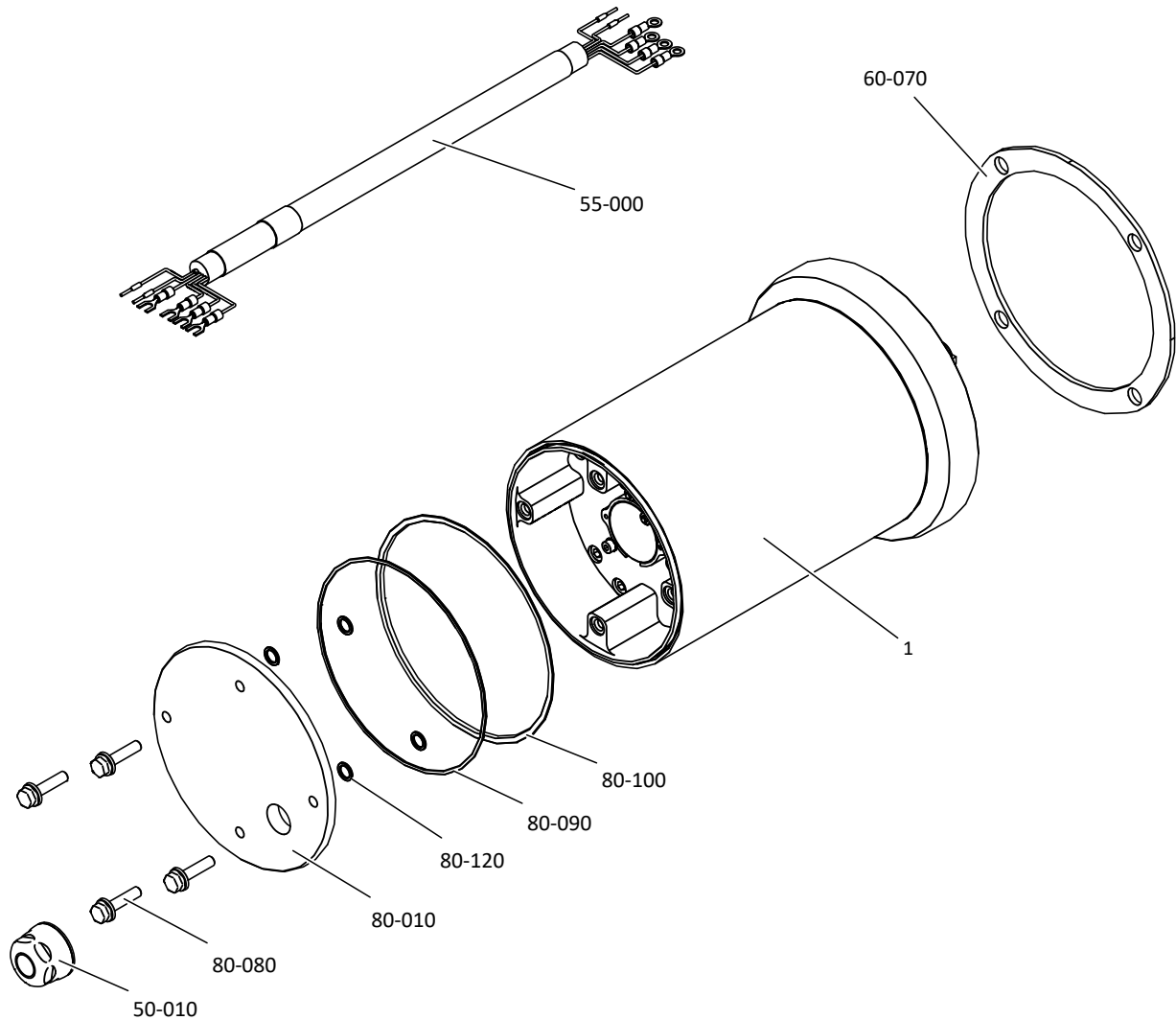


Field/Position	Value	Description
Type	CLM503USHF0201	Type designation
Serial No.	123456789	Serial number of the motor
Date code	24/12	Date of manufacture (year/week)
Temp rating	40C AMB-CONT	Maximum surrounding temperature
Volts	230Δ // 460Y // 480Δ VFD only	Supply voltage and circuit Operation only permitted on a drive controller
Current (F.L.A.)	5.67 // 3.25 // 3.57	Nominal current (depending on the circuit)
Th. CLASS	F(155)	Thermal class
PH	3	Number of phases
HP	2	Nominal power
Frame size	143TC	NEMA size
Max Output torque	180.56	Maximal torque
RPM	1800 // 1800 // 3000	Nominal speed (depending on the circuit)
Frequency	90 // 90 // 150	Nominal frequency (depending on the circuit)
Enclosure	TENV // IP69K	Protection class
Eff.	88.9// 91 // 90.94	Efficiency (depending on the circuit)
Duty	S9	Nominal operating mode
Poles	6	Number of poles
1	CE	CE mark
2	QR code	Link to product information
3	STOBER	Name and address of the manufacturer
4	cURus	cURus test symbol

## 1.3 Additional documentation

You can find supporting technical documents for this product when you enter the serial number of the product at <https://id.stober.com> or scan the QR code on the product’s nameplate.

## 2 CLM motors

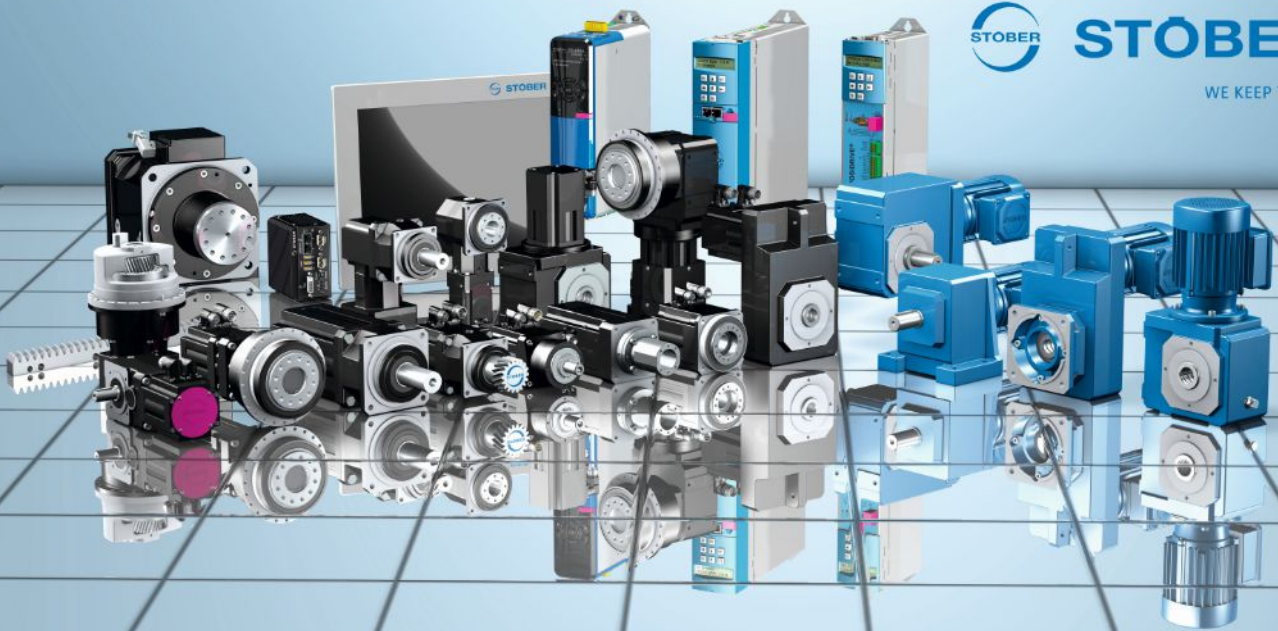


Item No.	Designation	Item No.	Designation
1	Stator with rotor (complete)	55-000	Power cable
50-010	Cable gland	60-070	Flat gasket
80-010	Cover	80-080	Hex head screw
80-090	O-ring	80-100	O-ring
80-120	O-ring		



**STÖBER**

WE KEEP THINGS MOVING



Technische Änderungen vorbehalten.  
Errors and changes excepted.

ID 443442\_en.00  
05/2024

STÖBER ANTRIEBSTECHNIK GmbH & Co. KG  
Kieselbronner Str. 12  
75177 Pforzheim  
Germany  
Tel. +49 7231 582-0  
mail@stoerber.de  
www.stoerber.com

24 h Service Hotline +49 7231 582-3000