



STÖBER

THE DYNAMIC SOLUTION



STOBER Synchronous servo geared motors are more dynamic, meaning higher torque density and less inertia. Your machine will perform better than ever!



INSTANTLY IMPROVE PRODUCTION RATES

In the input of a gearbox, the shaft clamp for a motor has a major impact on inertia. The removal of this input in a geared motor allows for a significant inertia reduction – resulting in reduction in move times, higher overall stiffness, lower settling time, and ultimately, improved production rates.

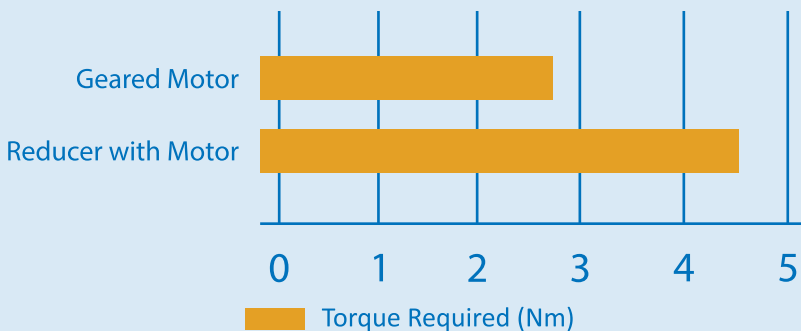
Benefits of STOBER Geared Motor

- Single Supplier
- Ease of installaion
- Save money

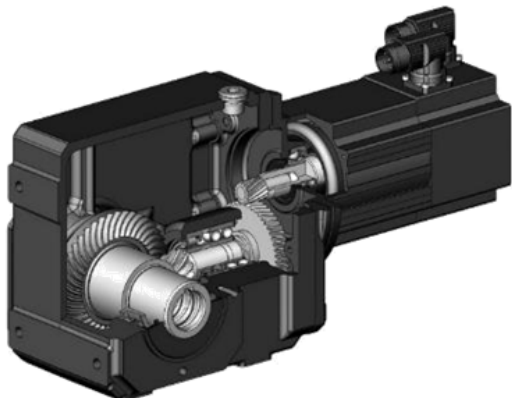
TORQUE GRAPH

Elimination of the input alone in this scenario results in the required torque being cut almost in half.

Torque Required for Acceleration/Deceleration



TYPE	TOTAL INERTIA
P5 with Non-Geared Motor	8.94 kg-cm ² (includes 3.74 kg-cm ² from the gearbox and 5.20 kg-cm ² from the motor)
P5_EZ5 Geared Motor	5.5 kg-cm ²



DO MORE WITH LESS

By eliminating losses due to friction from an input seal, power requirements are decreased.

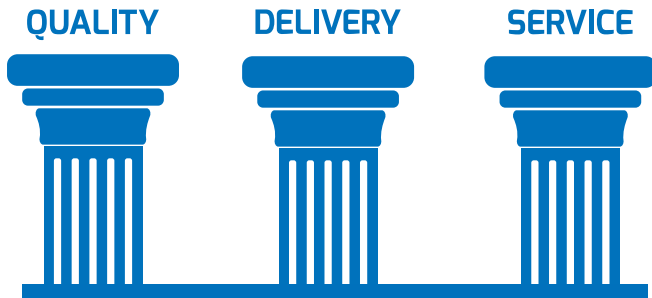
STOBER offers food duty lubrication, paint, and stainless shafts.



STÖBER

Our Three Pillars

STOBER is your **trusted partner** in providing the ultimate customer experience. From unsurpassed quality to rapid response support to fast delivery, we are the **gold standard** for gearboxes.



With the new STOBER Configurator, engineers and designers will save time in product selection and designing. Everything is a simple click away!



24/7 Support
Built in less than 1 week



Aftermarket Repair and Replacement done in USA



Committed to **optimizing your production** and machine design



MORE COMPACT



ADAPTABILITY



PACKAGED UNIT



MORE DYNAMIC



RUNS COOLER