

Assembly instructions

Rubber buffers for the torque arm on the F gear unit



1 General instructions

STOBER offers an inexpensive solution for the connection of the torque arm to F gear units: Rubber buffers that damp the vibrations of the F gear unit during operation. The rubber buffers can be ordered together with a STOBER F gear unit and are supplied separately in a bag.



Information

The dimensions of F gear units with torque arm can be found in the ServoFit® catalog (ID 442257) or under <http://cad.stober.de>.



Information

The Fig. 2-1 and the following working instructions show just one example. Dimension Id2 must be strictly observed when tightening the rubber buffer.

2 Installing the rubber buffers

NOTICE

The rubber buffers can be damaged by an excessive tightening force!

► Observe the installation instructions below.

Install the rubber buffers as follows:

1. Position the gear unit at the intended installation location.
2. Install torque arm (2) and the two rubber buffers (80.010) on the F gear unit as shown in Fig. 2-1.
3. Tighten hexagonal nut (3) until dimension Id2 (see Tab. 2-1:) is reached.
4. Secure hexagonal nut (3) using a lock nut (4).

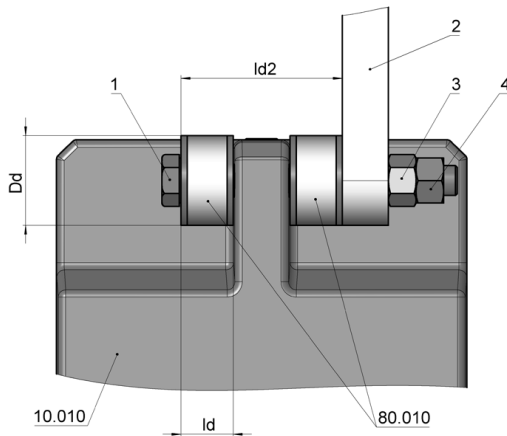


Fig. 2-1 Installation of the rubber buffers

Item	Description
1	Hexagonal screw (provided by customer)
2	Torque arm (provided by customer)
3	Hexagonal nut (provided by customer)
4	Lock nut (provided by customer)
80.010	Rubber buffer
10.010	Gear unit housing

Gear unit type	Id	Dd	Id2
F1	15	30	49
F2	15	30	51
F3	20	40	69
F4	20	40	69
F6	30	60	93,5

Tab. 2-1: Dimensions of rubber buffer (in mm)