



STÖBER

SYNCHRONOUS SERVO GEARED MOTORS

Geared motors not only allow customers to save space and money in their applications, but also allow for an extremely flexible solution in a very short lead time (sizes EZ4 through EZ7 are built in the United States and ship in just 5 days)!



TOP ADVANTAGES



Extremely Compact –On average, using a geared motor allows for up to 45% reduction in size versus a competitor gearbox and motor combination with an input adapter!



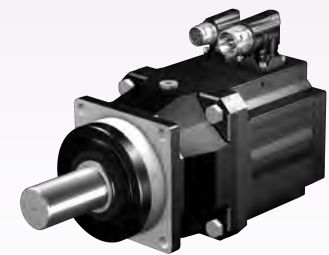
Dynamic –The removal of an input coupling allows for a significant reduction in inertia.



Runs Cooler –The removal of a seal at the input means less friction, and less heat!



Adaptability –Choose from a range of gearbox types to find the perfect one to suit the needs of your application!



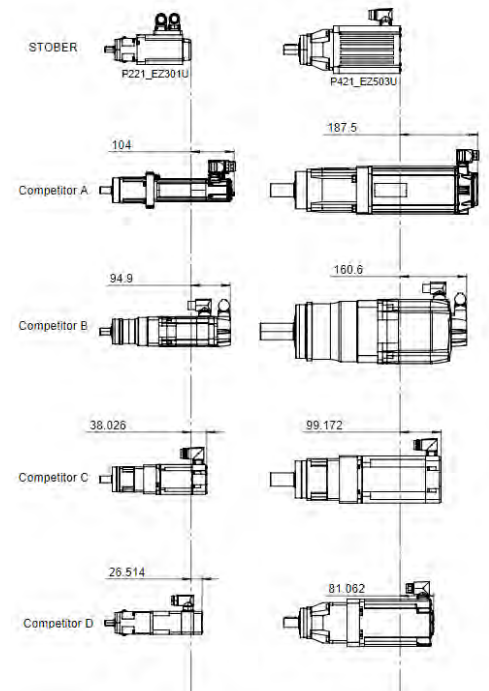
Above: Planetary gearbox coupled with an EZ motor for a compact geared motor solution.

Below: A size comparison of STÖBER and competitor options based on motor kW ratings.

LESS PARTS, BETTER PERFORMANCE!



With the removal of an input adapter and wear parts internal to it, STÖBER's geared motor solution is more rigid, more compact, and allows for more reduction in inertia than the alternatives.



ADDITIONAL INFORMATION

- Motors and Geared Motors will go live 06/01/2020.
- With questions, please contact Gena Hurst or Dave Graff.



STOBER

MODULARITY MEANS MORE OPTIONS FOR YOUR APPLICATION

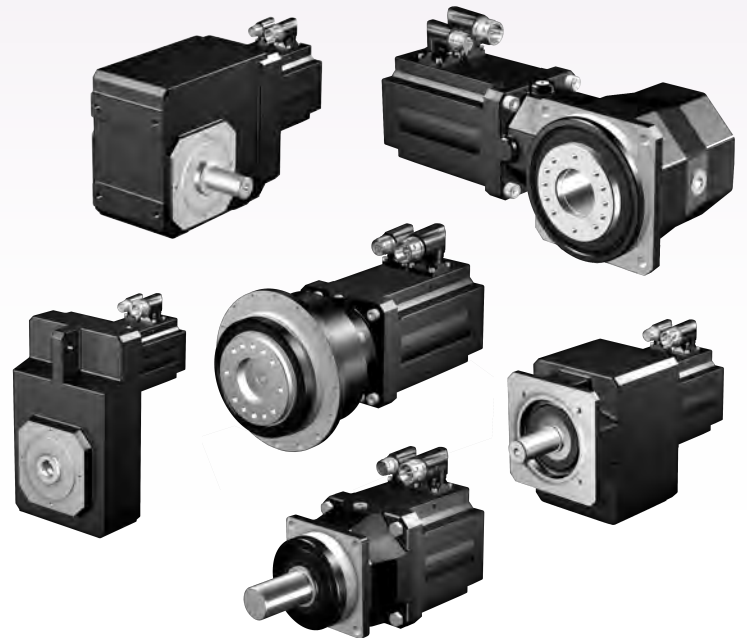
Servo doesn't have to mean planetary, and a third-party drive controller shouldn't mean that you need a completely different solution. With STOBER's modularity in geared motors, you can find the right option specific to your needs.



GEARED MOTORS, BUILT YOUR WAY

Whether you need an inline planetary, a flanged-output planetary, a right-angle planetary, an inline, a right-angle helical bevel, or an offset-inline gearbox, STOBER has an option for your application.

With motors being built in Maysville with nominal output torque from 2.8 Nm all the way up to 21.3 Nm, we can offer a solution that can be built and shipped in just 5 business days!



THIRD PARTY COMPATIBILITY

STOBER geared motors are compatible with a number of third-party drive manufacturers, including:

- Rockwell/Allen -Bradley
- Kollmorgen
- Siemens
- B&R
- Bosch
- Beckhoff



For more information on third-party compatibility, see the third-party section of the synchronous servo geared motors catalog.

ADDITIONAL INFORMATION

- Motors and Geared Motors will go live 06/01/2020.
- With questions, please contact Gena Hurst or Dave Graff.