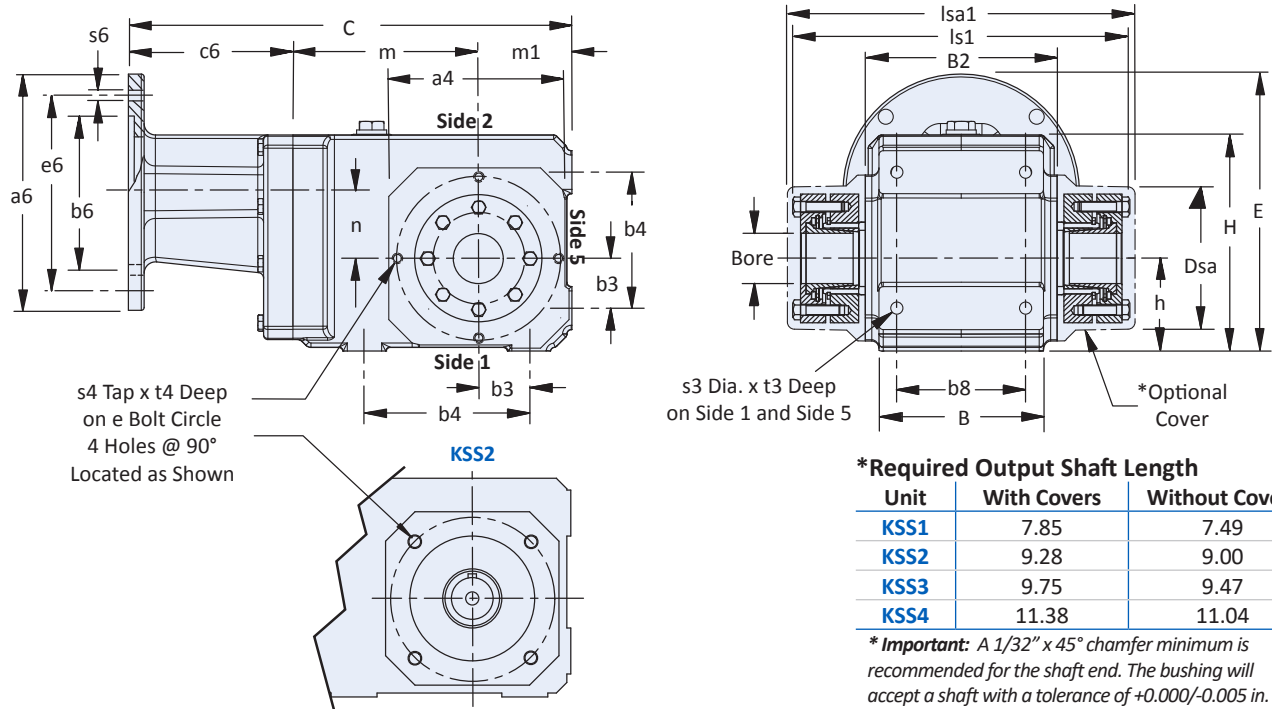


# KSS Series: RIGHT ANGLE — Solid Shaft/Hollow Output

## “W” Double Bushing Output with “G” Pilot Circle Diameter (PCD) Tapped Holes



### \*Required Output Shaft Length

Unit	With Covers	Without Covers
KSS1	7.85	7.49
KSS2	9.28	9.00
KSS3	9.75	9.47
KSS4	11.38	11.04

\* Important: A 1/32" x 45° chamfer minimum is recommended for the shaft end. The bushing will accept a shaft with a tolerance of +0.000/-0.005 in.

**Table 1 KSS Series – “W” Double Wobble-Free Bushing Output with “G” Pilot Circle Diameter (PCD) Tapped Holes – Dimensions (in)**

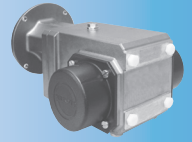
Base Module	a4	B2	b3	b4	b7	b8	Dsa	e	H	h	ls1	lsa1	m1	s3	s4	t3	t4
KSS1	4.53	4.17	1.18	3.54	2.95	2.76	3.07	3.54	4.96	2.36	7.64	7.80	2.36	M8x1.25	M8x1.25	0.51	0.51
KSS2	4.57	5.28	1.38	4.53	3.74	3.54	3.92	4.53	5.94	2.56	8.90	9.36	2.56	M10x1.50	M8x1.25	0.63	0.51
KSS3	5.20	5.75	1.38	5.12	4.13	4.13	3.78	4.53	6.56	2.95	9.41	9.95	2.95	M10x1.50	M8x1.25	0.63	0.55
KSS4	5.99	6.81	1.97	6.10	5.00	4.72	4.33	5.12	7.89	3.54	11.06	11.60	3.54	M12x1.75	M10x1.5	0.75	0.63

**Table 2 KSS Series – “WG” Style Motor Adapter Dimensions (in)**

Base Module	NEMA C-Face	a6	B	b6	C	c6	E	e6	m	n	s6	Wt. lbs
KSS102WG_MS1R050	56C	6.50	3.54	4.500	10.55	3.81	7.03	5.87	4.38	1.42	0.41	29
KSS202WG_MS2R050	56C	6.50	4.41	4.500	12.20	4.53	7.62	5.87	5.11	1.81	0.41	40
KSS202WG_MS2R140	143/145TC	6.50	4.41	4.500	12.20	4.53	7.62	5.87	5.11	1.81	0.41	40
KSS203WG_MS2R050	56C	6.50	4.53	4.500	13.07	3.31	6.64	5.87	7.20	0.83	0.41	53
KSS302WG_MS3R050	56C	6.50		4.500	13.23	4.37		5.87	5.91	2.09	0.41	55
KSS302WG_MS3R140	143/145TC	6.50	5.51	4.500	13.23	4.37	8.29	5.87	5.91	2.09	0.41	55
KSS302WG_MS3R180	182/184TC	9.00		8.500	14.57	6.59		7.25	5.03	2.07	0.55	67
KSS303WG_MS3R050	56C	6.50	5.51	4.500	15.22	4.00	6.83	5.87	8.27	0.63	0.41	55
KSS303WG_MS3R140	143/145TC	6.50	5.51	4.500	15.22	4.00	6.83	5.87	8.27	0.63	0.41	55
KSS402WG_MS4R050	56C	6.50		4.500	14.76	4.53	9.96	5.87			0.41	84
KSS402WG_MS4R140	143/145TC	6.50	5.71	4.500	14.76	4.53	9.96	5.87	6.69	2.36	0.41	84
KSS402WG_MS4R180	182/184TC	9.00		8.500	15.79	5.55	10.91	7.25			0.55	89
KSS403WG_MS4R050	56C	6.50	5.71	4.500	16.46	3.86	8.39	5.87	9.06	0.98	0.41	94
KSS403WG_MS4R140	143/145TC	6.50	5.71	4.500	16.46	3.86	8.39	5.87	9.06	0.98	0.41	94

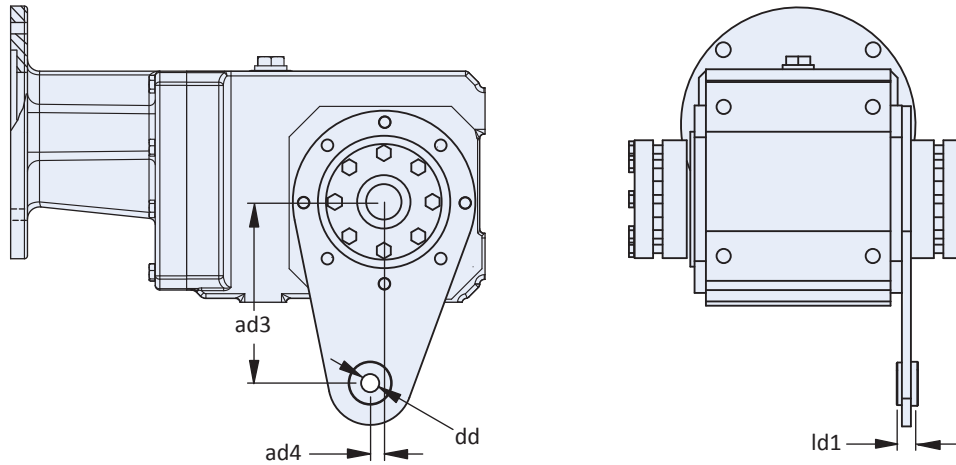
**Table 3 “WFBSS” Double Side Bushings Stock Bore Sizes**

Base Module	Inches						Metric – mm
	1	1-3/16	1-1/4	1-3/8	1-7/16	1-1/2	40
KSS1	WFBSS1-100	—	—	—	—	—	—
KSS2	WFBSS2-100	WFBSS2-103	WFBSS2-104	WFBSS2-106	WFBSS2-107	WFBSS2-108	—
KSS3	WFBSS3-100	WFBSS3-103	WFBSS3-104	WFBSS3-106	WFBSS3-107	WFBSS3-108	—
KSS4	—	—	WFBSS4-104	—	WFBSS4-107	WFBSS4-108	—



## “W” Double Bushing Output with “GD” Torque Arm Bracket

Refer to page 24 for all other dimensions



**Table 4 “GD” Torque Arm**

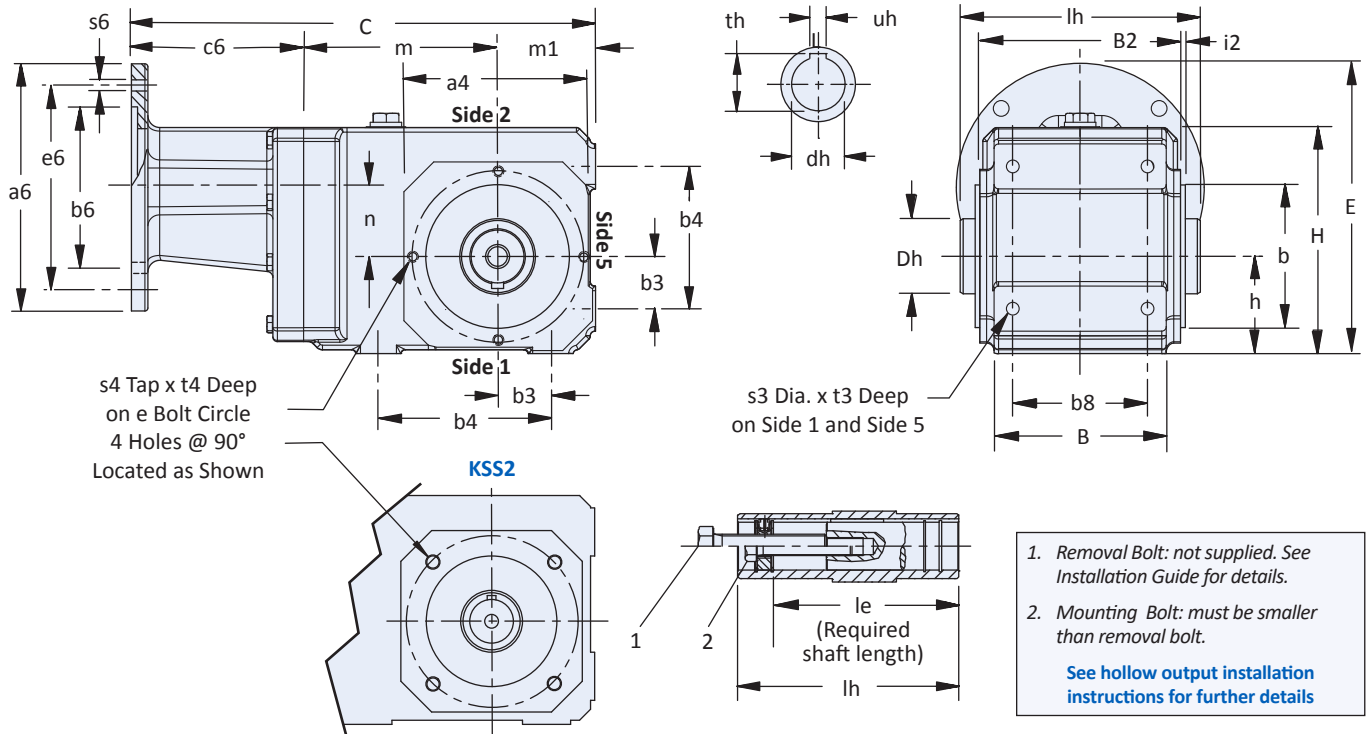
Base Module	Kit Number	mm			
		ad3	ad4	dd	ld1
<b>KSS1</b>	CS213227	130	10	13	15
<b>KSS2</b>	CS129573	130	10	13	15
<b>KSS3</b>	CS129573	130	10	13	15
<b>KSS4</b>	CS139679	130	10	13	15

Note: a bushing output plastic cover cannot be used on the Torque Arm side of speed reducer. A plastic cover can only be used on the side opposite the torque arm.

**KSS Series: RIGHT ANGLE — Solid Shaft / Hollow Output**

# KSS Series: RIGHT ANGLE — Solid Shaft/Hollow Output

## “A” Hollow Bore Output with “G” Pilot Circle Diameter (PCD) Tapped Holes



**Table 1 KSS Series – “A” Hollow Output with “G” Pilot Circle Diameter (PCD) Tapped Holes – Dimensions (in)**

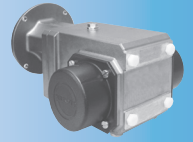
Base Module	a4	b	B2	b4	b7	b8	e	H	h	i2	lh	m1	s3	s4	t3	t4
KSS1	4.53	2.95	4.17	3.54	2.95	2.76	3.54	4.96	2.36	0.12	4.72	2.36	M8x1.25	M8x1.25	0.51	0.51
KSS2	4.57	3.74	5.28	4.53	3.74	3.54	4.53	5.94	2.56	0.12	5.83	2.56	M10x1.50	M8x1.25	0.63	0.51
KSS3	5.20	3.74	5.75	5.12	4.13	4.13	4.53	6.56	2.95	0.12	6.30	2.95	M10x1.50	M8x1.25	0.63	0.55
KSS4	5.99	4.33	6.81	6.10	5.00	4.72	5.12	7.89	3.54	0.14	7.40	3.54	M12x1.75	M10x1.5	0.75	0.63

**Table 2 KSS Series – “AG” Style Motor Adapter Dimensions (in)**

Base Module	NEMA C-Face	a6	B	b3	b6	C	c6	E	e6	m	n	s6	Wt. lbs
KSS102AG_MS1R050	56C	6.50	3.54	1.18	4.500	10.55	3.81	7.03	5.87	4.37	1.42	0.41	29
KSS202AG_MS2R050	56C	6.50	4.41	1.38	4.500	12.20	4.53	7.62	5.87	5.12	1.81	0.41	40
KSS202AG_MS2R140	143/145TC	6.50	4.41	1.38	4.500	12.20	4.53	7.62	5.87	5.12	1.81	0.41	40
KSS203AG_MS2R050	56C	6.50	4.53	1.54	4.500	13.07	3.31	6.64	5.87	7.20	0.83	0.41	53
KSS302AG_MS3R050	56C	6.50			4.500	13.23	4.37	8.29	5.87	5.91	2.09	0.41	55
KSS302AG_MS3R140	143/145TC	6.50	5.51	1.38	4.500	13.23	4.37	8.29	5.87	5.91	2.09	0.41	55
KSS302AG_MS3R180	182/184TC	9.00			8.500	14.57	6.59	9.52	7.25	5.02	2.07	0.55	67
KSS303AG_MS3R050	56C	6.50	5.51	1.38	4.500	15.22	4.00	6.83	5.87	8.27	0.63	0.41	55
KSS303AG_MS3R140	143/145TC	6.50	5.51	1.38	4.500	15.22	4.00	6.83	5.87	8.27	0.63	0.41	55
KSS402AG_MS4R050	56C	6.50			4.500	14.76	4.53	9.66	5.87			0.41	84
KSS402AG_MS4R140	143/145TC	6.50	5.71	1.97	4.500	14.76	4.53	9.66	5.87	6.69	2.36	0.41	84
KSS402AG_MS4R180	182/184TC	9.00			8.500	15.79	5.55	10.91	7.25			0.55	89
KSS403AG_MS4R050	56C	6.50	5.71	1.97	4.500	16.46	3.86	8.39	5.87	9.06	0.98	0.41	94
KSS403AG_MS4R140	143/145TC	6.50	5.71	1.97	4.500	16.46	3.86	8.39	5.87	9.06	0.98	0.41	94

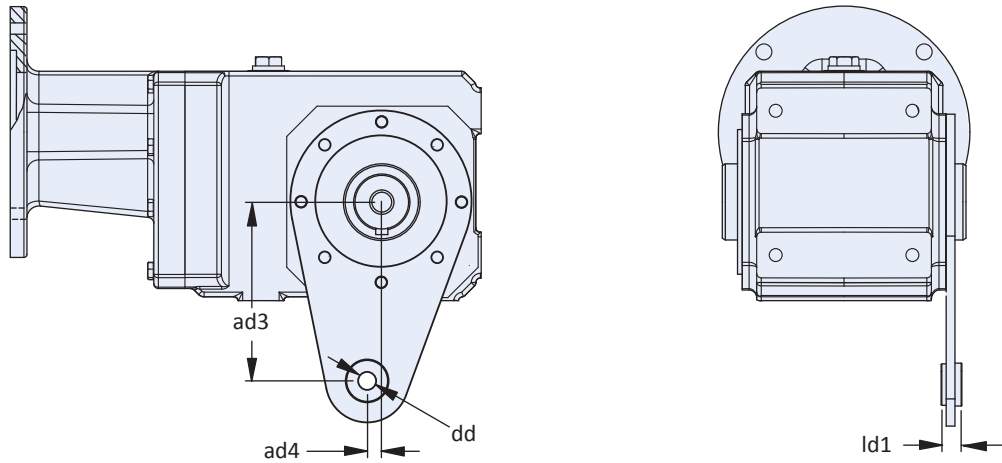
**Table 3 “A” Hollow Bore Output — Standard Sizes (see page 14 for other available output options)**

Base Module	Inches					
	Dh	dh	le	th	uh	Removal Bolt 1
KSS1	1.57	1	3.86	1.11	1/4	1/2 – 13
KSS2	1.97	1-1/4	4.78	1.37	1/4	1/2 – 13
KSS3	1.97	1-3/8	4.92	1.52	5/16	5/8 – 11
KSS4	2.17	1-1/2	6.18	1.67	3/8	3/4 – 10



## "A" Hollow Bore Output with "GD" Torque Arm Bracket

Refer to page 26 for all other dimensions



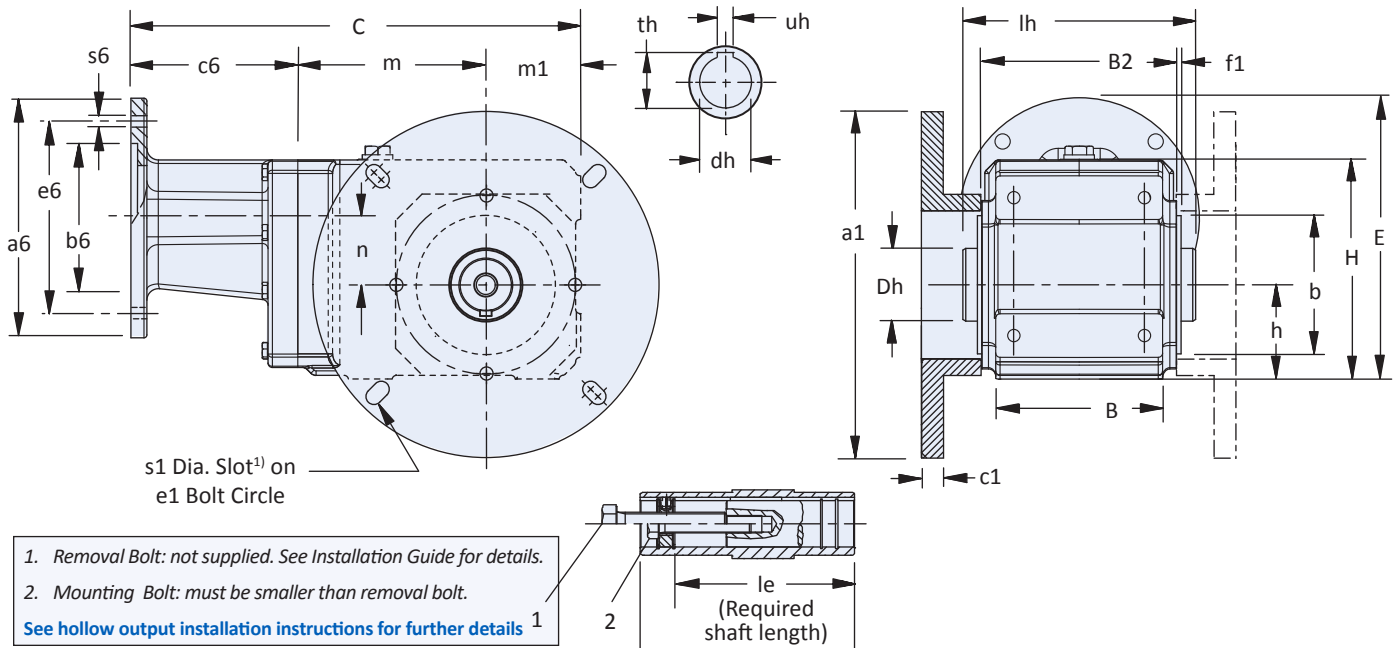
**Table 4 "GD" Torque Arm**

Base Module	Kit Number	mm			
		ad3	ad4	dd	ld1
<b>KSS1</b>	CS213227	130	10	13	15
<b>KSS2</b>	CS129573	130	10	13	15
<b>KSS3</b>	CS129573	130	10	13	15
<b>KSS4</b>	CS139679	130	10	13	15

**KSS Series: RIGHT ANGLE — Solid Shaft / Hollow Output**

# KSS Series: RIGHT ANGLE — Solid Shaft/Hollow Output

## “A” Hollow Bore Output with “F” Round Flange Housing



**Table 1 KSS Series – “A” Hollow Output with “F” Round Flange Housing – Dimensions (in)**

Base Module	a1	b	B2	c1	c2	e1		f1	H	h	lh	m1	s1 <sup>1)</sup>
						Min.	Max. <sup>1)</sup>						
KSS1	6.75	2.95	4.17	0.55	1.50	5.87	—	0.12	4.96	2.36	4.72	2.36	0.33
KSS2	8.74	3.74	5.28	0.55	1.50	7.48	8.00	0.12	5.94	2.56	5.28	2.56	0.41
KSS3	8.74	3.74	5.75	0.55	1.50	7.48	8.00	0.12	6.56	2.95	6.30	2.95	0.41
KSS4	9.84	4.33	6.81	0.55	1.50	8.46	—	0.14	7.89	3.54	7.40	3.54	0.53

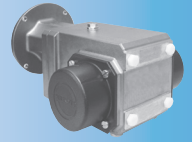
1) KSS1 & KSS4 mounting bolt hole is not a slot.

**Table 2 KSS Series – “AF” Style Motor Adapter Dimensions (in)**

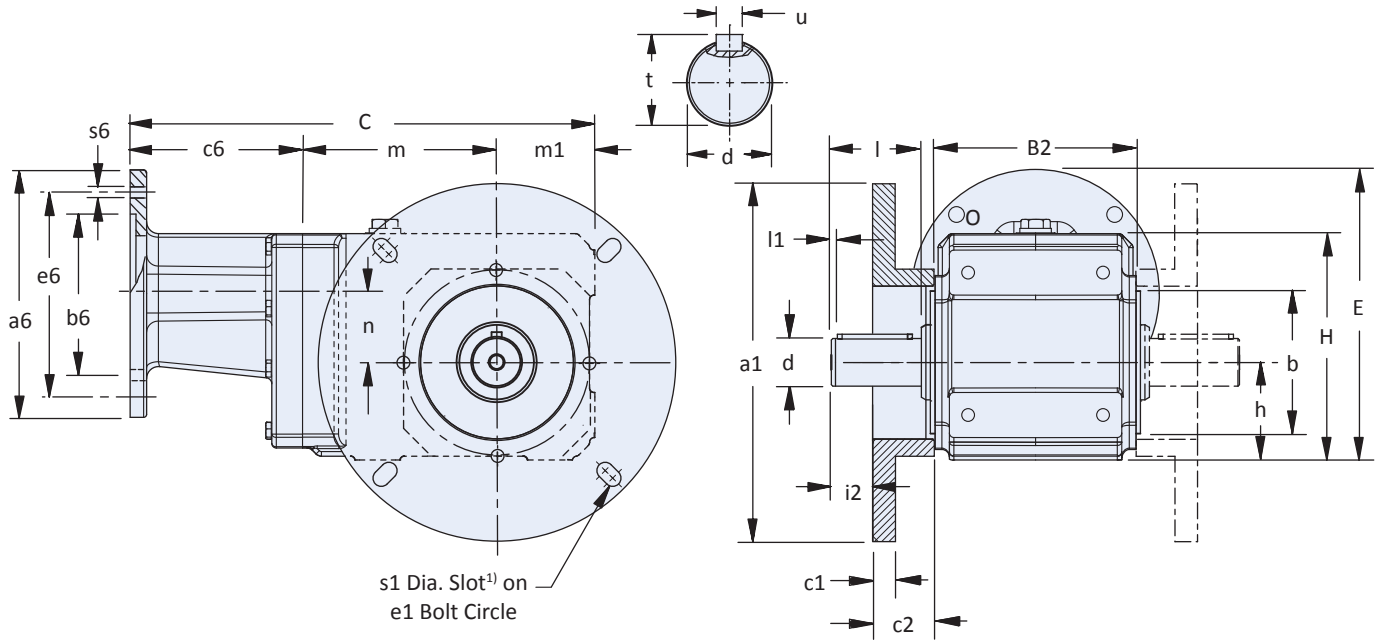
Base Module	NEMA C-Face	a6	B	b6	C	c6	E	e6	m	n	s6	Wt. lbs
KSS102AF_MS1R050	56C	6.50	3.54	4.500	10.09	3.81	7.03	5.87	4.38	1.42	0.41	29
KSS202AF_MS2R050	56C	6.50	4.41	4.500	12.20	4.53	7.62	5.87	5.11	1.81	0.41	40
KSS202AF_MS2R140	143/145TC											
KSS203AF_MS2R050	56C	6.50	4.53	4.500	13.07	3.31	6.64	5.87	7.20	1.81	0.41	53
KSS302AF_MS3R050	56C	6.50	5.51	4.500	13.23	4.37	8.29	5.87	5.91	2.09	0.41	55
KSS302AF_MS3R140	143/145TC											
KSS302AF_MS3R180	182/184TC	9.00		8.500	14.57	6.59	9.52	7.25	5.03	2.07	0.55	67
KSS303AF_MS3R050	56C	6.50	5.51	4.500	15.22	4.00	6.83	5.87	8.27	0.63	0.41	55
KSS303AF_MS3R140	143/145TC											
KSS402AF_MS4R050	56C	6.50	5.71	4.500	14.76	4.53	9.96	5.87	6.69	2.36	0.41	84
KSS402AF_MS4R140	143/145TC											
KSS402AF_MS4R180	182/184TC	9.00		8.500	15.79	5.55	10.91	7.25			0.55	89
KSS403AF_MS4R050	56C	6.50	5.71	4.500	16.46	3.86	8.39	5.87	9.06	0.98	0.41	94
KSS403AF_MS4R140	143/145TC											

**Table 3 “A” Hollow Bore Output — Standard Sizes** (see page 14 for other available output options)

Base Module	Inches						Removal Bolt 1
	Dh	dh	le	th	uh		
KSS1	1.57	1	3.86	1.11	1/4		1/2 – 13
KSS2	1.97	1-1/4	4.78	1.37	1/4		1/2 – 13
KSS3	1.97	1-3/8	4.92	1.52	5/16		5/8 – 11
KSS4	2.17	1-1/2	6.18	1.67	3/8		3/4 – 10



## "V" Solid Shaft Output with "F" Round Flange Housing



**Table 1** KSS Series – "V" Solid Shaft Output with "F" Round Flange Housing Dimensions (in)

Base Module	a1	b	B2	c1	c2	e1		H	h	i2	l	l1	m1	s1 <sup>1)</sup>
						Min.	Max. <sup>1)</sup>							
KSS1	6.75	2.95	4.17	0.55	1.50	5.87	—	4.96	2.36	0.94	1.97	0.16	2.36	0.33
KSS2	8.74	3.74	5.28	0.55	1.50	7.48	8.00	5.94	2.56	1.21	2.36	0.16	2.56	0.41
KSS3	8.74	3.74	5.75	0.55	1.50	7.48	8.00	6.56	2.95	1.21	2.36	0.16	2.95	0.41
KSS4	9.84	4.33	6.81	0.55	1.50	8.46	—	7.89	3.54	1.63	2.76	0.16	3.54	0.53

1) KSS1 & KSS4 mounting bolt hole is not a slot.

**Table 2** KSS Series – "VF" Style Motor Adapter Dimensions (in)

Base Module	NEMA C-Face	a6	b6	C	c6	E	e6	m	n	s6	Wt. lbs
KSS102VF_MS1R050	56C	6.50	4.500	10.55	3.81	7.03	5.87	4.38	1.42	0.41	29
KSS202VF_MS2R050	56C	6.50	4.500	12.20	4.53	7.62	5.87	5.11	1.81	0.41	40
KSS202VF_MS2R140	143/145TC										
KSS203VF_MS2R050	56C	6.50	4.500	13.07	3.31	6.64	5.87	7.20	0.83	0.41	53
KSS302VF_MS3R050	56C	6.50	4.500	13.23	4.37	8.29	5.87	5.91	2.09	0.41	55
KSS302VF_MS3R140	143/145TC	6.50	4.500	13.23	4.37	8.29	5.87	5.91	2.09	0.41	55
KSS302VF_MS3R180	182/184TC	9.00	8.500	14.57	6.59	9.52	7.25	5.03	2.07	0.55	67
KSS303VF_MS3R050	56C	6.50	4.500	15.22	4.00	6.83	5.87	8.27	0.63	0.41	55
KSS303VF_MS3R140	143/145TC										
KSS402VF_MS4R050	56C	6.50	4.500	14.76	4.53	9.96	5.87	6.69	2.36	0.41	84
KSS402VF_MS4R140	143/145TC	6.50	4.500	14.76	4.53	9.96	5.87				
KSS402VF_MS4R180	182/184TC	9.00	8.500	15.79	5.55	10.91	7.25	5.03	2.07	0.55	89
KSS403VF_MS4R050	56C	6.50	4.500	16.46	3.86	8.39	5.87	9.06	0.98	0.41	94
KSS403VF_MS4R140	143/145TC										

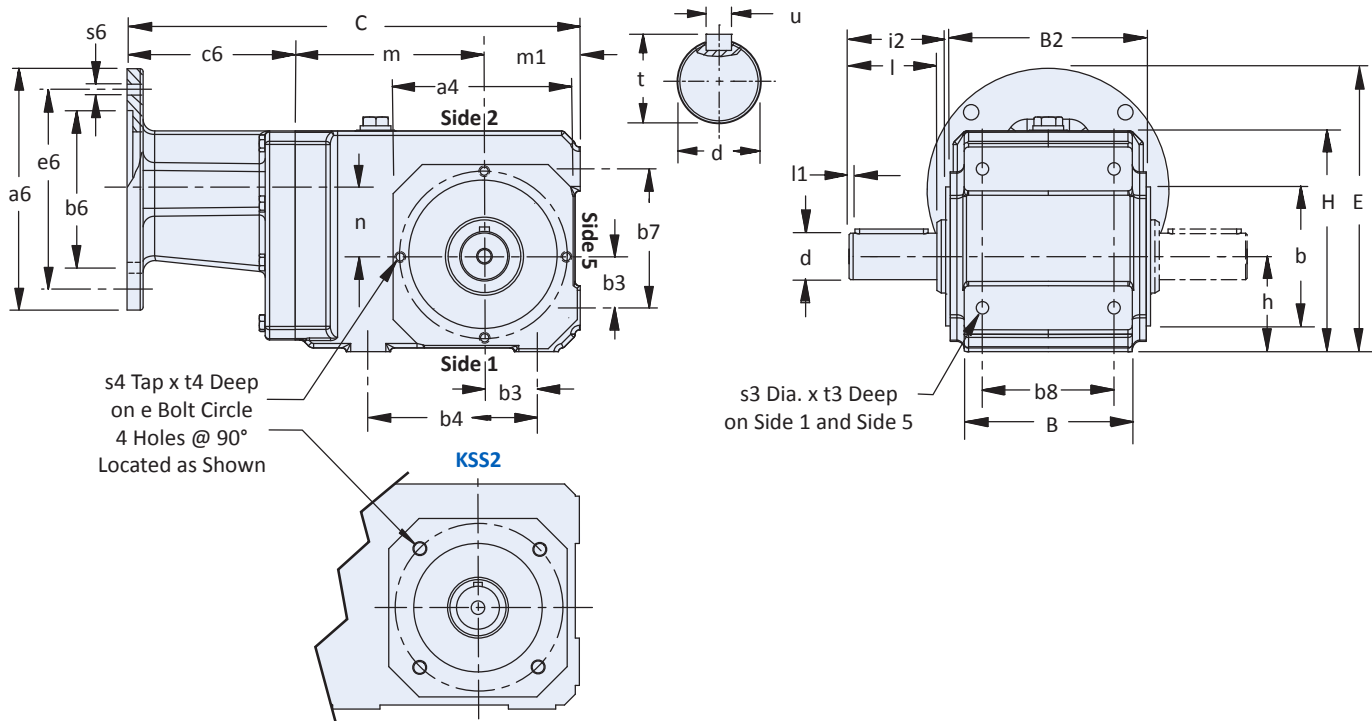
**Table 3** "V" Solid Shaft Output — Standard Sizes

Base Module	Inches		
	d	t	u— Key
KSS1	1	1.11	1/4 x 1/4 x 1-9/16
KSS2	1-1/4	1.36	1/4 x 1/4 x 1-15/16
KSS3	1-1/4	1.36	1/4 x 1/4 x 1-15/16
KSS4	1-3/8	1.51	5/16 x 5/16 x 2-5/16

KSS Series: RIGHT ANGLE — Solid Shaft / Hollow Output

# KSS Series: RIGHT ANGLE — Solid Shaft/Hollow Output

## “V” Solid Shaft Output with “G” Pilot Circle Diameter (PCD) Tapped Holes



**Table 1** KSS Series – “V” Solid Shaft Output with “G” Pilot Circle Diameter (PCD) Tapped Holes – Dimensions (in)

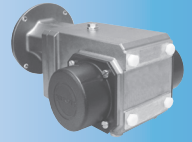
Base Module	a4	b	B2	b3	b4	b7	b8	e	H	h	i2	l	l1	m1	s3	s4	t3	t4
KSS1	4.53	2.95	4.17	1.18	3.54	2.95	2.76	3.54	4.96	2.36	2.32	1.97	0.16	2.36	M8x1.25	M8x1.25	0.51	0.51
KSS2	4.57	3.74	5.28	1.38	4.53	3.74	3.54	4.53	5.94	2.56	2.60	2.36	0.16	2.56	M10x1.50	M8x1.25	0.63	0.51
KSS3	5.20	3.74	5.75	1.38	5.12	4.13	4.13	4.53	6.56	2.95	2.60	2.36	0.16	2.95	M10x1.50	M8x1.25	0.63	0.55
KSS4	5.99	4.33	6.81	1.97	6.10	5.00	4.72	5.12	7.89	3.54	3.39	2.76	0.16	3.54	M12x1.75	M10x1.5	0.75	0.63

**Table 2** KSS Series – “VG” Style Motor Adapter Dimensions (in)

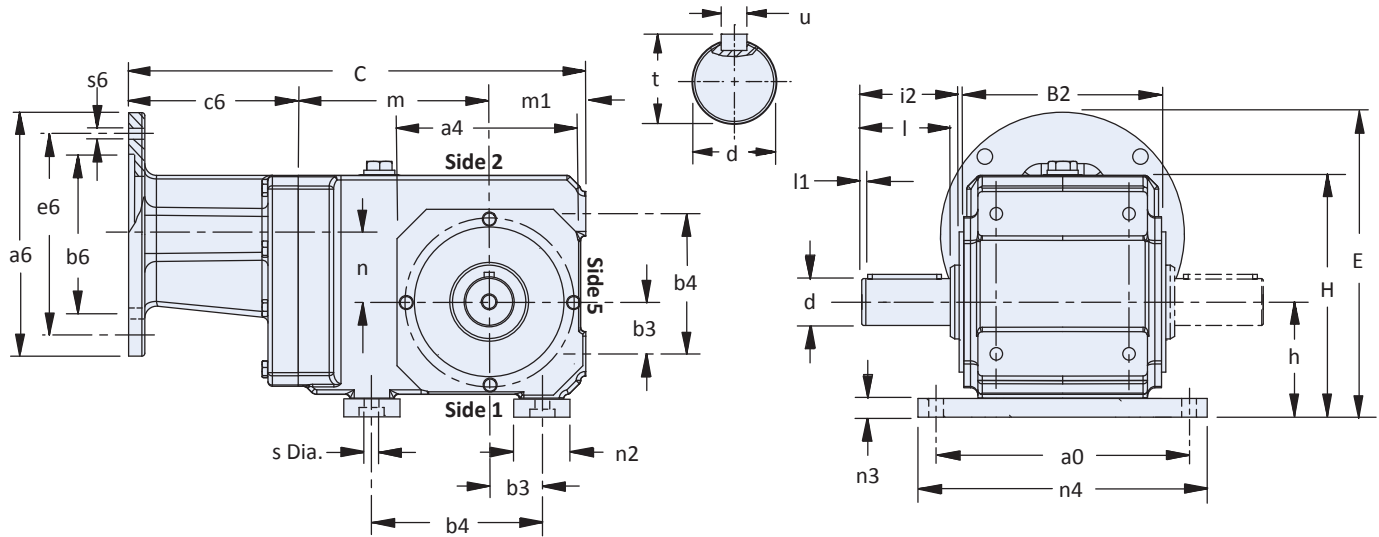
Base Module	NEMA C-Face	a6	B	b6	C	c6	E	e6	m	n	s6	Wt. lbs
KSS102VG_MS1R050	56C	6.50	3.54	4.500	10.55	3.81	7.03	5.87	4.38	1.42	0.41	29
KSS202VG_MS2R050	56C	6.50	4.41	4.500	12.20	4.53	7.62	5.87	5.11	1.81	0.41	40
KSS202VG_MS2R140	143/145TC	6.50	4.53	4.500	13.07	3.31	6.64	5.87	7.20	0.83	0.41	53
KSS203VG_MS2R050	56C	6.50	4.53	4.500	13.23	4.37	8.29	5.87	5.91	2.09	0.41	55
KSS302VG_MS3R050	56C	6.50	5.51	4.500	13.23	4.37	8.29	5.87	5.91	2.09	0.41	55
KSS302VG_MS3R140	143/145TC	6.50	5.51	4.500	13.23	4.37	8.29	5.87	5.91	2.09	0.41	55
KSS302VG_MS3R180	182/184TC	9.00	8.500	14.57	6.59	9.52	7.25	5.03	2.07	0.55	0.55	67
KSS303VG_MS3R050	56C	6.50	5.51	4.500	15.22	4.00	6.83	5.87	8.27	0.63	0.41	55
KSS303VG_MS3R140	143/145TC	6.50	5.51	4.500	15.22	4.00	6.83	5.87	8.27	0.63	0.41	55
KSS402VG_MS4R050	56C	6.50	5.71	4.500	14.76	4.53	9.96	5.87	6.69	2.36	0.41	84
KSS402VG_MS4R140	143/145TC	6.50	5.71	4.500	14.76	4.53	9.96	5.87	6.69	2.36	0.41	84
KSS402VG_MS4R180	182/184TC	9.00	8.500	15.79	5.55	10.91	7.25	0.55	0.55	0.55	0.55	89
KSS403VG_MS4R050	56C	6.50	5.71	4.500	16.46	3.86	8.39	5.87	9.06	0.98	0.41	94
KSS403VG_MS4R140	143/145TC	6.50	5.71	4.500	16.46	3.86	8.39	5.87	9.06	0.98	0.41	94

**Table 3** “V” Solid Shaft Output — Standard Sizes

Base Module	Inches		
	d	t	u— Key
KSS1	1	1.11	1/4 x 1/4 x 1-9/16
KSS2	1-1/4	1.36	1/4 x 1/4 x 1-15/16
KSS3	1-1/4	1.36	1/4 x 1/4 x 1-15/16
KSS4	1-3/8	1.51	5/16 x 5/16 x 2-5/16



## “V” Solid Shaft Output with “NG” Foot Mount Housing



**Table 1** KSS Series – “V” Solid Shaft Output with “NG” Foot Mount – Dimensions (in)

Base Module	a0	a4	B2	b3	b4	b7	e	H	h	i2	l	l1	m1	n2	n3	n4	s
KSS1	4.53	4.53	4.17	1.18	3.54	2.95	3.54	5.46	2.36	2.32	1.97	0.16	2.36	1.50	0.50	5.51	0.35
KSS2	6.73	4.57	5.28	1.38	4.53	3.74	4.53	6.44	3.07	2.60	2.36	0.16	2.56	1.50	0.50	7.72	0.39
KSS3	6.73	5.20	5.75	1.38	5.12	4.13	4.53	7.06	3.44	2.60	2.36	0.16	2.95	1.50	0.50	7.72	0.39
KSS4	7.87	5.99	6.81	1.97	6.10	5.00	5.12	8.64	3.54	3.39	2.76	0.16	3.54	1.50	0.75	9.06	0.55

**Table 2** KSS Series – “VNG” Style Motor Adapter Dimensions (in)

Base Module	NEMA C-Face	a4	a6	b6	C	c6	E	e6	m	n	s6	Wt. lbs
KSS102VNG_MS1R050	56C	4.53	6.50	4.500	10.55	3.81	7.53	5.87	4.38	1.42	0.41	29
KSS202VNG_MS2R050	56C	4.57	6.50	4.500	12.20	4.53	8.12	5.87	5.11	1.81	0.41	40
KSS202VNG_MS2R140	143/145TC											
KSS203VNG_MS2R050	56C	4.57	6.50	4.500	13.07	3.31	7.14	5.87	7.20	0.83	0.41	53
KSS302VNG_MS3R050	56C		6.50	4.500	13.23	4.37	8.79	5.87	5.91	2.09	0.41	55
KSS302VNG_MS3R140	143/145TC	5.20	6.50	4.500	13.23	4.37	8.79	5.87	5.91	2.09	0.41	55
KSS302VNG_MS3R180	182/184TC		9.00	8.500	14.57	6.59	10.02	7.25	5.03	2.07	0.55	67
KSS303VNG_MS3R050	56C		6.50	4.500	15.22	4.00	7.33	5.87	8.27	0.63	0.41	55
KSS303VNG_MS3R140	143/145TC	5.20	6.50	4.500	15.22	4.00	7.33	5.87	8.27	0.63	0.41	55
KSS402VNG_MS4R050	56C		6.50	4.500	14.76	4.53	10.41	5.87			0.41	84
KSS402VNG_MS4R140	143/145TC	5.99	6.50	4.500	14.76	4.53	10.41	5.87	6.69	2.36	0.41	84
KSS402VNG_MS4R180	182/184TC		9.00	8.500	15.79	5.55	11.66	7.25			0.55	89
KSS403VNG_MS4R050	56C		6.50	4.500	16.46	3.86	9.14	5.87	9.06	0.98	0.41	94
KSS403VNG_MS4R140	143/145TC	5.99	6.50	4.500	16.46	3.86	9.14	5.87	9.06	0.98	0.41	94

**Table 3** “V” Solid Shaft Output — Standard Sizes

Base Module	Inches		
	d	t	u— Key
KSS1	1	1.11	1/4 x 1/4 x 1-9/16
KSS2	1-1/4	1.36	1/4 x 1/4 x 1-15/16
KSS3	1-1/4	1.36	1/4 x 1/4 x 1-15/16
KSS4	1-3/8	1.51	5/16 x 5/16 x 2-5/16

KSS Series: RIGHT ANGLE — Solid Shaft / Hollow Output