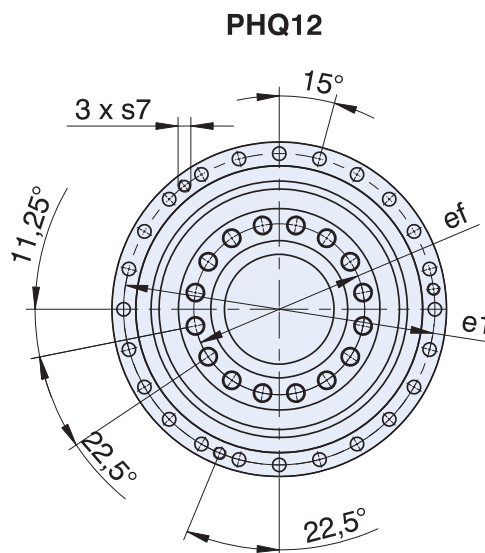
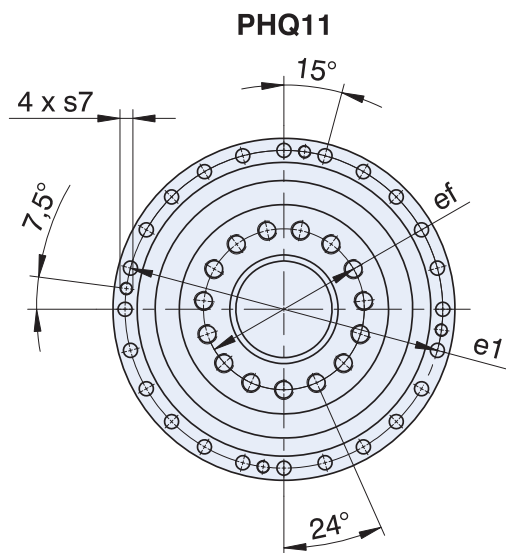
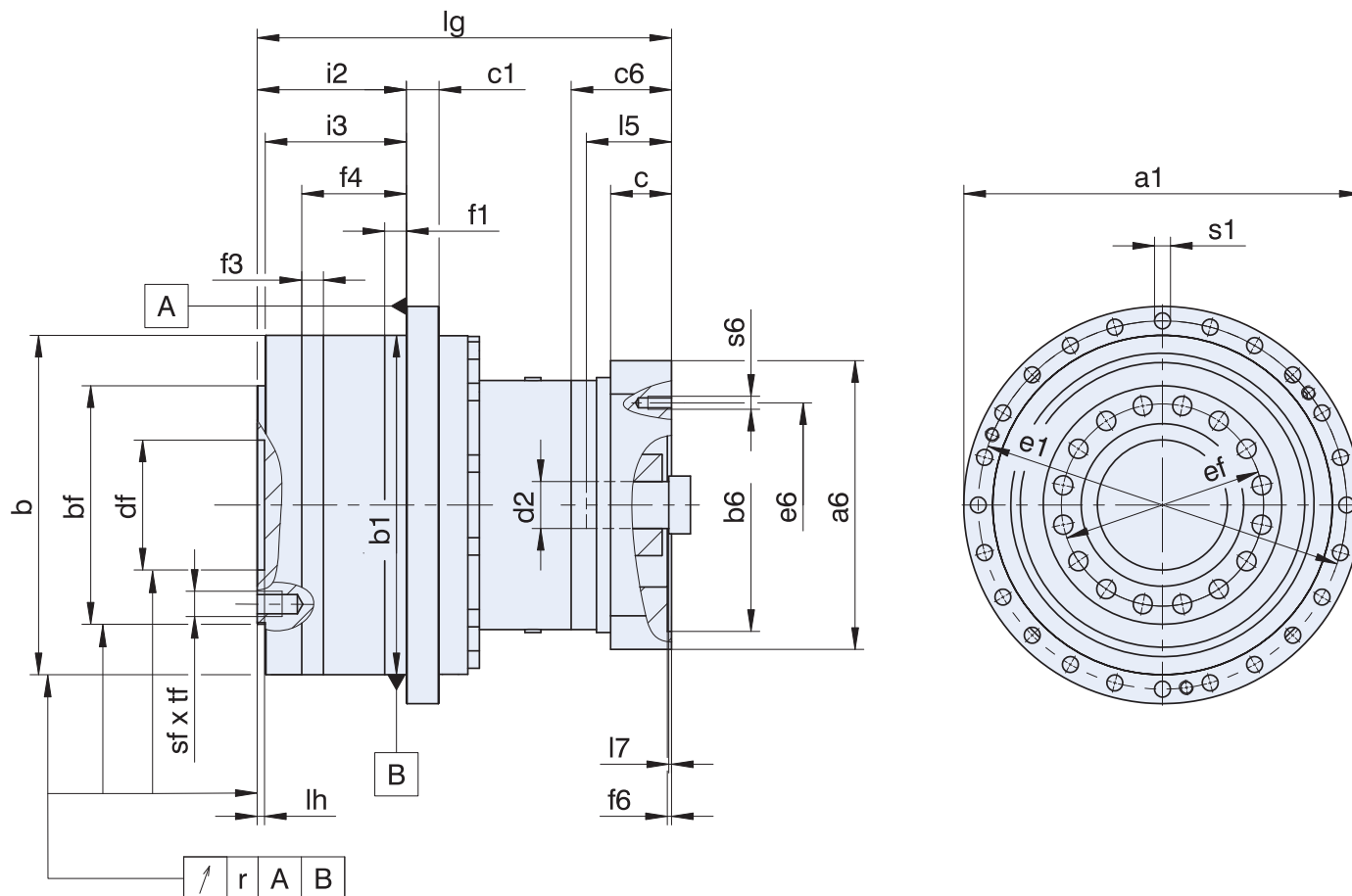


PHQ Series: INLINE — Flange Output

PHQ Standard Input





PHQ Series: INLINE — Flange Output

Dimensional Data

Table 1 Dimensions (mm)

Unit	Øa1	Øb1	Øbf	c1	Ødf	Øe1	Øef	f1	i2	i3	lh	r	Øs1	s7	sf	f
PHQ431	118 ^{H7}	90 ^{H7}	63 ^{H7}	7	31.5 ^{H6}	109	50	10	30	24	6	0.020	5.5	–	M6	11
PHQ432	118 ^{H7}	90 ^{H7}	63 ^{H7}	7	31.5 ^{H6}	109	50	10	30	24	6	0.020	5.5	–	M6	11
PHQ531	145 ^{H7}	110 ^{H7}	80 ^{H7}	8	40.0 ^{H6}	135	63	10	29	23	6	0.020	5.5	–	M8	11
PHQ532	145 ^{H7}	110 ^{H7}	80 ^{H7}	8	40.0 ^{H6}	135	63	10	29	23	6	0.020	5.5	–	M8	11
PHQ731	179 ^{H7}	140 ^{H7}	100 ^{H7}	10	50.0 ^{H6}	168	80	12	38	32	6	0.025	6.6	–	M10	16
PHQ732	179 ^{H7}	140 ^{H7}	100 ^{H7}	10	50.0 ^{H6}	168	80	12	38	32	6	0.025	6.6	–	M10	16
PHQ733	179 ^{H7}	140 ^{H7}	100 ^{H7}	10	50.0 ^{H6}	168	80	12	38	32	6	0.025	6.6	–	M10	16
PHQ831	247 ^{H7}	200 ^{H7}	160 ^{H7}	12	80.0 ^{H6}	233	125	15	50	42	8	0.030	9.0	M10	M12	17
PHQ832	247 ^{H7}	200 ^{H7}	160 ^{H7}	12	80.0 ^{H6}	233	125	15	50	42	8	0.030	9.0	M10	M12	17
PHQ833	247 ^{H7}	200 ^{H7}	160 ^{H7}	12	80.0 ^{H6}	233	125	15	50	42	8	0.030	9.0	M10	M12	17
PHQ932	300 ^{H7}	255 ^{H7}	180 ^{H7}	18	90.0 ^{H6}	280	145	20	66	55	12	0.030	13.5	M8	M20	28
PHQ933	300 ^{H7}	255 ^{H7}	180 ^{H7}	18	90.0 ^{H6}	280	145	20	66	55	12	0.030	13.5	M8	M20	28
PHQ1032	330 ^{H7}	285 ^{H7}	200 ^{H7}	20	95.0 ^{H6}	310	166	20	75	60	10	0.040	13.5	M10	M24	35
PHQ1033	330 ^{H7}	285 ^{H7}	200 ^{H7}	20	95.0 ^{H6}	310	166	20	75	60	10	0.040	13.5	M10	M24	35

Table 2 Dimensions (mm)

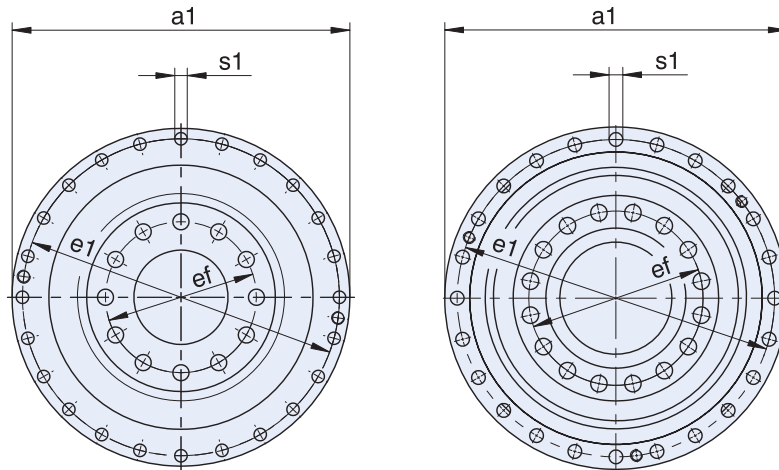
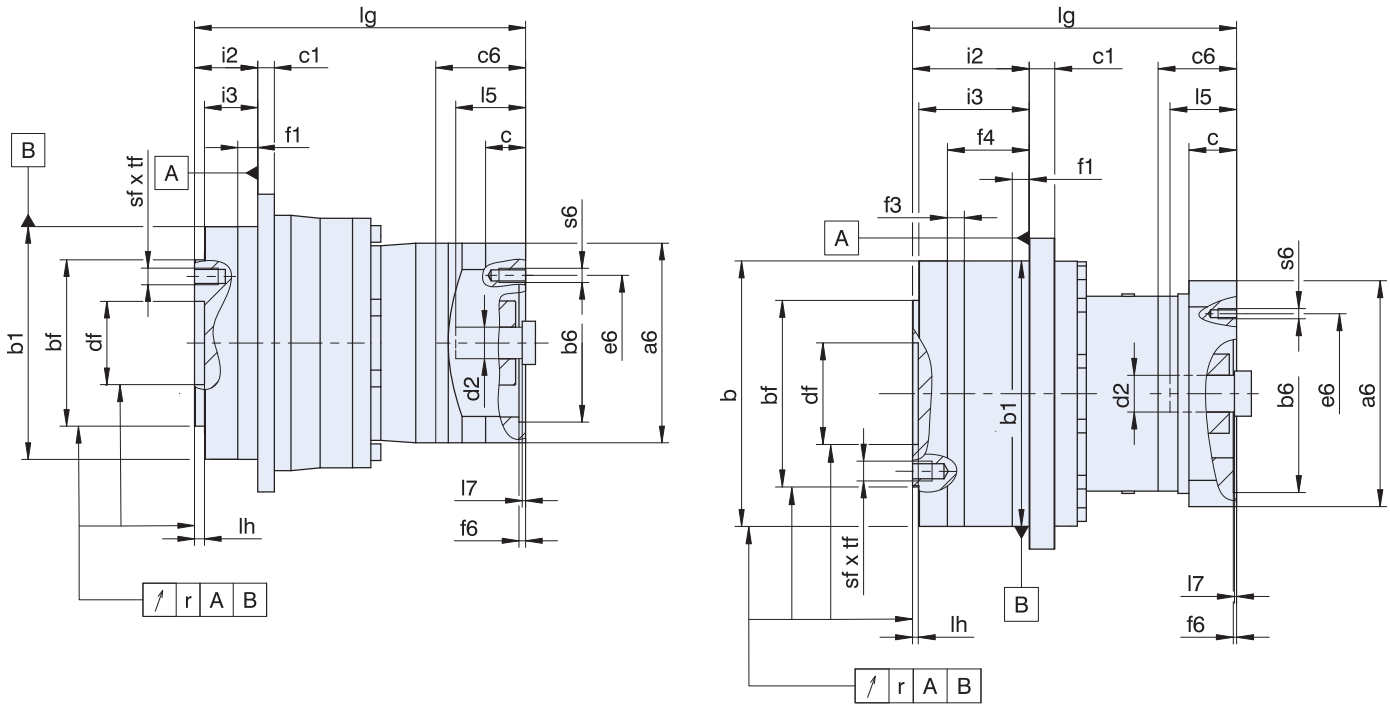
Unit	Øb6	Øe6	Ød2max	l5	a6	c	c6	f6	l7	lg	s6
PHQ431_ME	95 ^{H7}	115	24	41	100	21.0	42.5	4.0	3.5	113.5	M8
PHQ432_ME	60 ^{H7}	75	19	41	75	18.0	41.5	3.5	4.0	150.5	M5
PHQ531_ME	110 ^{H7}	130	32	51	120	24.0	54.0	4.0	4.5	132.0	M8
PHQ532_ME	95 ^{H7}	115	24	41	100	21.0	42.5	4.0	3.5	161.0	M8
PHQ731_ME	130 ^{H7}	165	38	61	150	26.0	66.0	5.5	4.5	161.0	M10
PHQ732_ME	110 ^{H7}	130	32	51	120	24.0	54.0	4.0	4.5	199.0	M8
PHQ733_ME	95 ^{H7}	115	24	41	100	21.0	42.5	4.0	3.5	228.0	M8
PHQ831_ME	180 ^{H7}	215	48	83	204	35.0	80.5	5.5	8.5	218.0	M12
PHQ832_ME	130 ^{H7}	165	38	61	150	26.0	66.0	5.5	4.5	263.0	M10
PHQ833_ME	110 ^{H7}	130	32	51	120	24.0	54.0	4.0	4.5	301.0	M8
PHQ932_ME	180 ^{H7}	215	48	83	204	35.0	94.0	5.5	5.5	384.5	M12
PHQ933_ME	130 ^{H7}	165	38	61	150	26.0	76.0	5.5	4.5	443.0	M10
PHQ1032_ME	180 ^{H7}	215	60	85	230	43.0	108.0	6.0	5.0	458.0	M12
PHQ1033_ME	180 ^{H7}	215	48	83	204	35.0	94.0	5.5	5.5	538.0	M12

In the table above, you will find example dimensions for the motor connection for the ME motor adapter. Note that when dimension c is lengthened (depending on the motor used), dimensions c6, l5 and lg are also lengthened accordingly. You will find additional motor connection dimensions for motor adapters ME, MEL, MF and MFL in our STÖBER Configurator at <http://configurator.stober.com>. Here, you can directly download a 3D model of your drive.

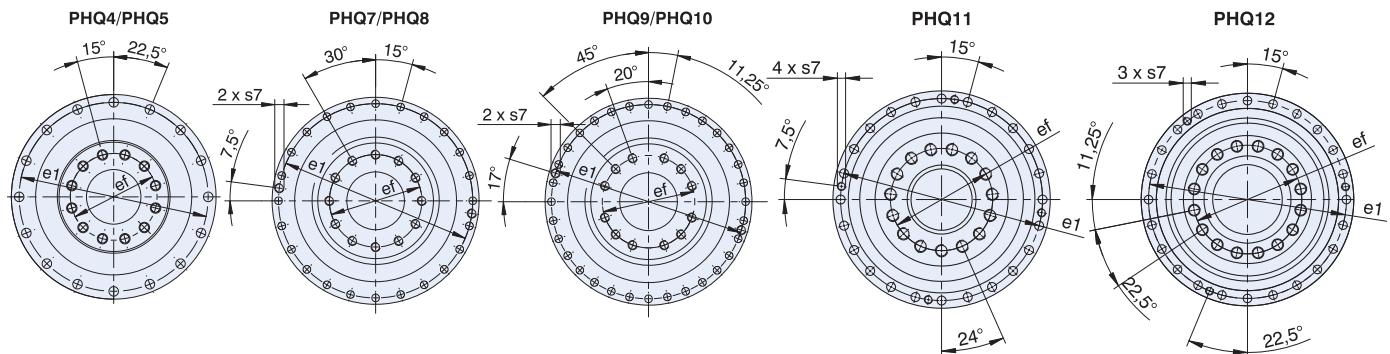
* See Motor Mounting Plate Option, see page 48 for details.

PHQ Series: INLINE — Flange Output

PHQ Standard Input



* See Motor Mounting Plate Option, see page 48 for details.





Dimensional Data

Table 1 Dimensions (mm)

Unit	Øa1	Øb	Øb1	Øbf	c1	Ødf	Øe1	Øef	f1	f3	f4	i2	i3	lh	r	s1	s7	sf	tf
PHQ1132	425	365 ^{G6}	365 ^{H6}	260 ^{H7}	32	120.0 ^{H6}	395	200	30	30	120	190	180	10	0.04	17.5	M16	M24	35.5
PHQ1133	425	365 ^{G6}	365 ^{H6}	260 ^{H7}	32	120.0 ^{H6}	395	200	30	30	120	190	180	10	0.04	17.5	M16	M24	35.5
PHQ1232	550	470 ^{G6}	470 ^{H6}	330 ^{H7}	45	180.0 ^{H7}	510	280	30	30	145	206.5	195.5	10	0.04	22	M16	M30	48
PHQ1233	550	470 ^{G6}	470 ^{H6}	330 ^{H7}	45	180.0 ^{H7}	510	280	30	30	145	206.5	195.5	10	0.04	22	M16	M30	48

Table 2 Dimensions (mm)

Unit	Øb6	Øe6	Ød2max	l5	a6	c	c6	f6	l7	lg	s6
PHQ1132_ME	250 ^{H7}	300	60	110	315	72.0	131.0	6.0	15.0	473.0	M16
PHQ1133_ME	180 ^{H7}	215	48	83	204	35.0	94.0	5.5	5.5	588.5	M12
PHQ1232_ME	300 ^{H7}	350	60	141	355	84.5	139.0	6.0	15.0	573.5	M16
PHQ1233_ME	180 ^{H7}	215	60	85	230	43.0	108.0	6.0	5.0	737.0	M12

In the table above, you will find example dimensions for the motor connection for the ME motor adapter. Note that when dimension c is lengthened (depending on the motor used), dimensions c6, l5 and lg are also lengthened accordingly. You will find additional motor connection dimensions for motor adapters ME, MEL, MF and MFL in our STO-BER Configurator at <http://configurator.stoeber.de>. Here, you can directly download a 3D model of your drive.

PHQ Series: INLINE — Flange Output