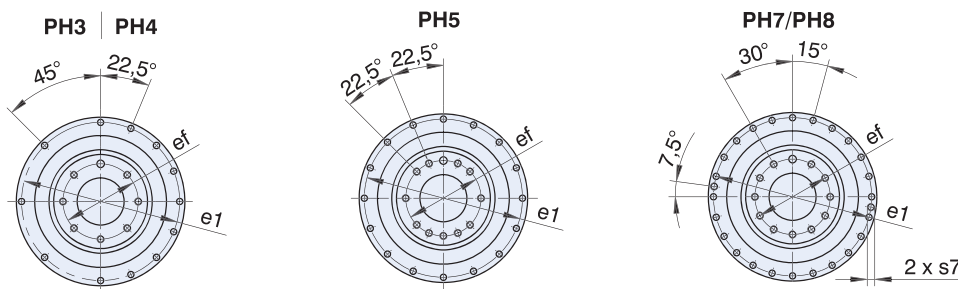
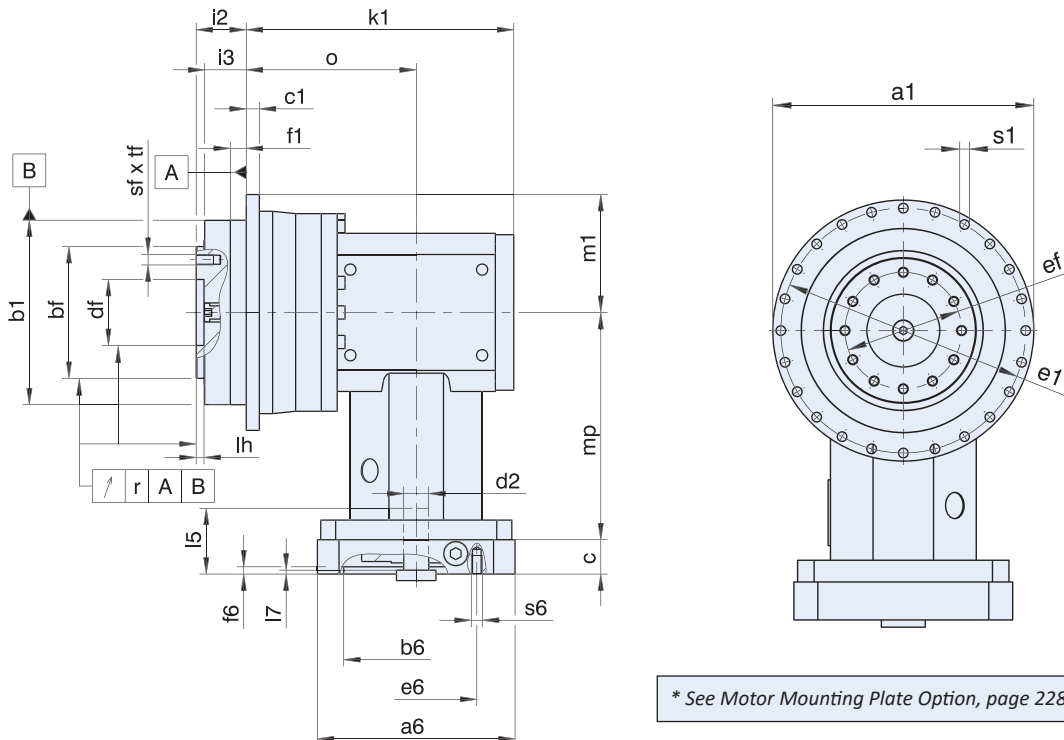




Selection Data

PHKX Series Dimensions – All Units



PHKX Series: RIGHT ANGLE – Flange Output

Table 1 Dimensions (mm)

Unit	Øa1	Øb1	Øbf	c1	Ødf	Øe1	Øef	f1	i2	i3	k1	lh	m1	o	p	r	Øs1	s7	sf	Øsf1	tf	tf1
PH331_KX301	86 ^{h7}	64 ^{h7}	40 ^{h7}	4	20.0 ^{H6}	79	32	7	19.5	16.5	113.5	4	43.0	73.5	0.02	0.020	4.5	–	M5	5H7	7	3
PH332_KX301	86 ^{h7}	64 ^{h7}	40 ^{h7}	4	20.0 ^{H6}	79	32	7	19.5	16.5	147.0	4	43.0	107.0	0.02	0.020	4.5	–	M5	5H7	7	3
PH431_KX401	118 ^{h7}	90 ^{h7}	63 ^{h7}	7	31.5 ^{H6}	109	50	10	30.0	24.0	139.0	6	59.0	89.0	0.02	0.020	5.5	–	M6	6H7	11	7
PH432_KX301	118 ^{h7}	90 ^{h7}	63 ^{h7}	7	31.5 ^{H6}	109	50	10	30.0	24.0	161.5	6	59.0	121.5	0.02	0.020	5.5	–	M6	6H7	11	7
PH531_KX501	145 ^{h7}	110 ^{h7}	80 ^{h7}	8	40.0 ^{H6}	135	63	12	29.0	23.0	168.0	6	72.5	109.0	0.02	0.020	5.5	–	M6	6H7	11	7
PH532_KX401	145 ^{h7}	110 ^{h7}	80 ^{h7}	8	40.0 ^{H6}	135	63	12	29.0	23.0	188.5	6	72.5	138.5	0.02	0.020	5.5	–	M6	6H7	11	7
PH731_KX701	179 ^{h7}	140 ^{h7}	100 ^{h7}	10	50.0 ^{H6}	168	80	12	38.0	32.0	203.0	6	89.5	129.0	0.02	0.025	6.6	–	M8	8H7	14	7
PH732_KX501	179 ^{h7}	140 ^{h7}	100 ^{h7}	10	50.0 ^{H6}	168	80	12	38.0	32.0	226.0	6	89.5	167.0	0.02	0.025	6.6	–	M8	8H7	14	7
PH831_KX701	247 ^{h7}	200 ^{h7}	160 ^{h7}	12	80.0 ^{H6}	233	125	15	50.0	42.0	235.5	8	123.5	161.5	0.02	0.030	9.0	M10	M10	10H7	18	10
PH832_KX701	247 ^{h7}	200 ^{h7}	160 ^{h7}	12	80.0 ^{H6}	233	125	15	50.0	42.0	293.0	8	123.5	219.0	0.02	0.030	9.0	M10	M10	10H7	18	10

Example dimensions for the motor connection

Unit	Øb6	Øe6	Ød2max	l5	□a6	c	f6	l7	s6
PH_KX301_MF	60 ^{H7}	75	19	40	75	18	3.5	5.5	M5
PH_KX401_MF	95 ^{H7}	115	24	42	100	21	4.0	4.5	M8
PH_KX501_MF	110 ^{H7}	130	32	53	120	24	4.0	5.0	M8
PH_KX701_MF	130 ^{H7}	165	38	64	150	26	5.5	8.0	M10

In the table above, you will find example dimensions for the motor connection for the MF motor adapter. Note that when dimension c is lengthened (depending on the motor used), dimensions c6, l5 and lg are also lengthened accordingly.